

This Information Is Provided By
CBTricks.com

Uniden HR2600 Service Manual

Liability of damages to any equipment is the sole responsibility of the user! Downloading, viewing, or using any information provided on these pages automatically accepts the user to the terms of this agreement!

Modifications are provided for information purposes only!

Supporters of CBTricks.com paid for the hosting so you would have this file.

CBTricks.com is a non-commercial personal website was created to help promote the exchange of service, modification, technically oriented information, and historical information aimed at the Citizens Band, GMRS (CB "A" Band), MURS, Amateur Radios and RF Amps.

CBTricks.com is not sponsored by or connected to any Retailer, Radio, Antenna Manufacturer or Amp Manufacturer, or affiliated with any site links shown in the links database. The use of product or company names on my web site is not endorsement of that product or company.

The site is supported with donations from users, friends and selling of the Site Supporters DVD's to cover some of the costs of having this website on the Internet instead of relying on banner ads, pop-up ads, commercial links, etc. Thus I do not accept advertising banners or pop-up/pop-under advertising or other marketing/sales links or gimmicks on my website.

ALL the money from donations is used for CBTricks.com I didn't do all the work to make money (I have a day job). This work was not done for someone else to make money also, for example the ebay CD sellers.

All Trademarks, Logos, and Brand Names are the property of their respective owners.

This information is not provided by, or affiliated in any way with any radio or antenna Manufacturers.

Thank you for any support you can give.

For information on how to Support CBTricks.com

<http://www.cbtricks.com/support/>

uniden®

**AMATEUR TRANSCEIVER
MODEL: HR-2600**

**SERVICE INFORMATION
MANUAL**

UNIDEN CUSTOMER SERVICE
9900 Westpoint Drive
P.O. Box 501368
Indianapolis, IN 46250
TEL (317) 842-2483
FAX (317) 841-0019

UNIDEN PARTS DEPT.
9900 Westpoint Drive
P.O. Box 50463
Indianapolis, IN 46250
TEL (317) 842-1036
FAX (317) 849-6653

AMATEUR TRANSCEIVER

MODEL : HR-2600

TABLE OF CONTENTS

1. SPECIFICATIONS	1
2. ALIGNMENT PROCEDURES & POINTS.....	5
3. SEMICONDUCTOR LEAD IDENTIFICATION.....	13
4. PARTS PRICE LIST.....	19
5. IC VOLTAGE CHART.....	45
6. FREQUENCY CHART.....	48
7. EXPLODED VIEW & MECHANICAL PARTS LIST.....	49
8. TECHNICAL DRAWINGS.....	53
BLOCK DIAGRAM	
SCHEMATIC DIAGRAM	(E12-3100)
	(E12-3101)
P.C. BOARD VIEW	
MAIN PCB TOP	(E22-8313)
MICOM PCB TOP	(E23-8314)
PCB BOTTOM	(E23-8315)
MAIN PCB BOTTOM	(E24-8316)
NB PCB	(E24-8317)
FM PCB	(E24-8318)
LCD PCB TOP	(E24-8319)
BOTTOM	(E24-8320)
SVR PCB	(E24-8321)
SW PCB	(E24-8322)
RIT PCB	(E24-8323)
PARTS ASS'Y TOP	(E24-8324)
WIRING DIAGRAM	(E32-3078)
	(E32-3079)

Note: Circuit design and specifications are subject to change without notice.

1. SPECIFICATIONS

GENERAL

1. Channel and Frequency Range	: A Band 28.0000 ~ 28.4999 MHz B Band 28.5000 ~ 28.9999 MHz C Band 29.0000 ~ 29.4999 MHz D Band 29.5000 ~ 29.6999 MHz
2. Crystal	: 4
3. Microphone	: 500 Ω , Dynamic Type with Channel up down
4. Speaker	: 8 Ω , 5 W Max
5. Antenna Connector	: M Type
6. Jacks & Connectors	: MIC 5P, DC Power 2P, 9 PIN ACC CONNECTOR
7. Controls	: Mode Selector CW-LSB-USB-AM-FM, MIC Gain, TX, DIM, SCAN, SPAN, Meter Select, RPT, Band, F-Lock, up/down, RIT, NB, Frequency Knob, ON/OFF Power Switch & Volume, Auto SQ & Squelch, RF Gain, RIT, SWR/CAL Tone Frequency select SW(Internal SW)
8. Illumination	: RPT. Indication LCD Band. Indication LCD Frequency Indication LCD S/RF, MOD, SWR Indication LCD
9. LCD Meter	: RF Power Indication, Signal Strength, Modulation, CAL, SWR
10. Size	: 186 mm (W) \times 263 mm (D) \times 62 mm (H)
11. Weight	: 1.9 kg
12. Accessories	: DC Power Cable with Fuse Microphone & Mic Hanger Mounting Bracket with Screws Short Plug 9 pin Accessory Plug
13. Display Box Size	: 376 (W) \times 230 (D) \times 110 (H)
14. Display Box Weight	: 2.75 kg (include Unit and ACC.)
15. Quantity / Shipping Carton	: 6 pcs.
16. Size / Shipping Carton	: 730 (W) \times 416 (D) \times 270 (H)
17. Weight / Shipping carton	: 18 kg (Per 6 pcs.)
18. Case Mark	: UCA Standard Style

MEASUREMENT CONDITIONS

1. Power Source	: 13.8 V (DC)
2. Antenna Impedance	: 50 Ω
3. Test Temperature	: 25°C
4. AM Modulation Frequency	: 1 kHz

5. FM Modulation Frequency	:	1 kHz
6. SSB Modulation Frequency, Two Tone	:	500 Hz & 2400 Hz
7. Mean Signal Input Level	:	1000 uV
8. Reference AM Modulation Percentage	:	1 kHz, 30%
9. Reference FM Deviation	:	1.5 kHz
10. Reference Audio Output Power	:	0.5 W
11. Audio Frequency	:	1 kHz
12. Audio Output Load	:	8 Ω Resistive
13. Measuring frequency	:	29.000MHz

TRANSMITTER SECTION

ITEMS		UNIT	NOMINAL	LIMIT
1. Frequency Tolerance at 25°C (5 minutes after Switch on)	AM	Hz	± 300	± 1500
	SSB	Hz	± 300	± 1500
	FM	Hz	± 300	± 1500
	CW	Hz	± 300	± 1500
2. Carrier Power	AM	W	10.0	8.0 ~ 14.0
	FM	W	10.0	8.0 ~ 14.0
	CW	W	24.0	18.0 ~ 28.0
3. PEP Power, Two Tone, SSB		Wpep	21.0	18.0 ~ 26.0
4. Spurious Harmonic Emission	AM	dB	-50	-40
	SSB	dB	-50	-40
	FM	dB	-50	-40
	CW	dB	-50	-40
5. Carrier Suppression	SSB	dB	-55	-40
6. Unwanted Sideband Suppression (at 2500 Hz 4 Wpep 16 dB up Single tone)	SSB	dB	-45	-35
7. Battery Drain at No Modulation	AM	mA	3000	4500
	SSB	mA	800	1500
	FM	mA	3000	4500
	CW	mA	5000	6500
8. Battery Drain	AM : MAX Modulation	mA	3000	4500
	SSB : MAX Wpep, Two Tone	mA	3000	4500
	FM : MAX Modulation	mA	3000	4500
	CW : TX Mode, No Key Down	mA	800	1200

ITEMS		UNIT	NOMINAL	LIMIT	
9. Modulation Frequency Response (1 kHz, 0 dB Reference)					
Lower at 450 Hz	AM	dB	-4	-10	
	SSB	dB	-4	-12	
	FM	dB	-4	-10	
Upper at 2.5 kHz	AM	dB	-4	-10	
	SSB	dB	-4	-10	
	FM	dB	-4	-10	
10. Microphone Sensitivity	AM : For 50% Modulation	mV	1.5	2.5	
	SSB : For 10 Wpep Output	mV	1.5	2.5	
	FM : For 1 kHz Deviation	mV	1.5	3.0	
11. AMC Range	AM : 50 ~ 100% Modulation	dB	40	30	
	SSB : 16 ~ 26 Wpep	dB	50	40	
12. MIC Gain (ATTENUATE)		dB	-10	-6	
13. Tone deviation (29.52MHz)	FM(RPT)	KHz	0.6	0.5 to 0.8	
RECEIVER SECTION (NB Switch OFF)					
1. Max. Sensitivity	AM	μV	0.5	2.0	
	CW/SSB	μV	0.25	1.0	
2. Sensitivity for 10 dB S/N	AM	μV	0.5	2.0	
	CW/SSB	μV	0.25	1.0	
	FM : 20 dB S/N	FM	μV	0.5	3.0
3. AGC Figure of Merit, 50 mV for 10 dB Change in Audio Output	AM	dB	80	70	
	CW/SSB	dB	80	70	
4. Overall Audio Fidelity at 6 dB down	Upper Frequency	AM	Hz	2000	1500 ~ 4000
		SSB	Hz	3000	2000 ~ 4500
		FM	Hz	1500	1000 ~ 3000
	Lower Frequency	AM	Hz	300	200 ~ 600
		SSB	Hz	300	200 ~ 600
		FM	Hz	300	200 ~ 500
5. Adjacent Channel Selectivity					
(10 kHz, 1 GEN)	AM	dB	70	60	
6. Maximum Audio Output Power	AM	W	4.0	2.5	
	CW/SSB	W	4.0	2.5	
	FM	W	4.0	2.5	
7. Audio Output Power at 10 % THD	AM	W	2.5	2.0	
	CW/SSB	W	2.5	2.0	
	FM	W	2.5	2.0	

ITEMS		UNIT	NOMINAL	LIMIT
8. RF Gain	AM	dB	55	30 ~ 70
	CW/SSB	dB	55	30 ~ 70
	FM	dB	55	30 ~ 70
9. S/N Ratio at 1 mV Input	AM	dB	30	25
	FM	dB	35	25
10. Squelch Sensitivity at Threshold	AM	μ V	0.5	2.0
	CW/SSB	μ V	0.5	2.0
	FM	μ V	0.5	2.0
11. Squelch Sensitivity at Tight	AM	μ V	1000	250 ~ 4000
	CW/SSB	μ V	1000	250 ~ 4000
	FM	μ V	1000	250 ~ 4000
12. S Meter Sensitivity at "S-9" (No Modulation)	AM	μ V	100	25 ~ 400
	CW/SSB	μ V	100	25 ~ 400
	FM	μ V	100	25 ~ 400
13. Image Rejection Ratio	AM	dB	65	50
	CW/SSB	dB	65	50
	FM	dB	65	50
14. i-f Rejection Ratio	AM	dB	65	50
	CW/SSB	dB	65	50
	FM	dB	65	50
15. Oscillator Dropout Voltage	AM	V	9	11
	CW/SSB	V	9	11
	FM	V	9	11
16. Battery Drain at No Signal	AM	mA	500	800
	CW/SSB	mA	500	800
	FM	mA	500	800
17. Battery Drain at Max. Audio Output	AM	mA	1000	1500
	CW/SSB	mA	1000	1500
	FM	mA	1000	1500
18. Clarifier Range	AM	kHz	± 3.0	$\pm 2.2 \sim \pm 4.0$
	CW/SSB	kHz	± 3.0	$\pm 2.2 \sim \pm 4.0$
	FM	kHz	± 3.0	$\pm 2.2 \sim \pm 4.0$
19. NB + ANL Performance	AM	dB	2	3.5
	SSB	dB	2	3.5
20. NB + ANL Loss	CW	dB	2	3.5
	AM	dB	3	5

NOTE :

- (1) Shall have reverse polarity protection and operable with negative ground only.
- (2) Operating Power Voltage : 13.8 V + 15 - 20% DC
- (3) Standard Operating Temperature : -10°C ~ +50°C
- (4) Storage Temperature : -30°C ~ +60°C

2. ALIGNMENT PROCEDURES & POINTS

ALIGNMENT OF P. L. L. AND CARRIER OSCILLATOR PORTION

1. Test Equipment Required

DC Power Supply (13.8V)
DC Voltmeter
Dummy Load (50 ohm)

Oscilloscope
Frequency Counter

2. Preparation for alignment

RIT SW : OFF MODE SW : AM
RIT : Middle Position TX : OFF

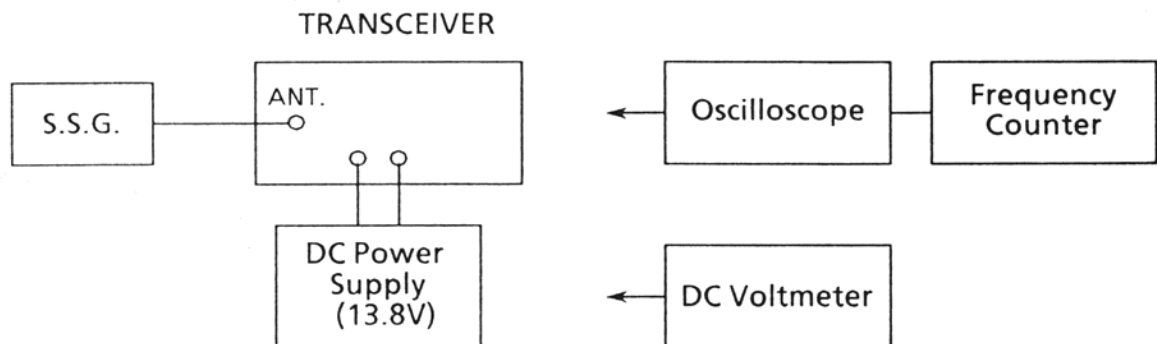
Remove the PCB (B 751,PB-100) from the Main PCB.

3. Alignment Procedure

Step	Preset to	Adjustment	Remarks
1	Mode: RX,AM SG : 28MHz	L315	Connect an oscilloscope to TP306. Adjust L315 for 6.200MHz reading on the oscilloscope.
2	Ditto	L318	Connect the oscilloscope to TP304. Adjust L318 for 38.695MHz ± 20 Hz reading on the oscilloscope.
3	Mode: RX,AM SG: 29.6999MHz	L317	Connect a DC voltmeter to TP303. Adjust L317 for 5.5 ± 0.1V reading on the DC Voltmeter.
4	Mode: RX,CW SG : 28MHz	L8	Connect the oscilloscope to TP2. Adjust L8 for 10.6950MHz ± 20 Hz reading on the oscilloscope.
5	Mode: RX,LSB	L9	Adjust L9 for 10.6925 MHz reading on the oscilloscope.
6	Mode: RX,USB	L10	Adjust L10 for 10.6975 MHz ± 20 Hz reading on the oscilloscope.
7	Mode:RX,LSB	VR11	Connect the oscilloscope to TP1. Adjust VR11 for 38.6925MHz ± 20Hz reading on the oscilloscope.

After the alignment, lock with wax the area of L 302, L 315, L 317 and L 318.

TEST EQUIPMENT CONNECTION



Alignment for PLL and Carrier Oscillator Portion

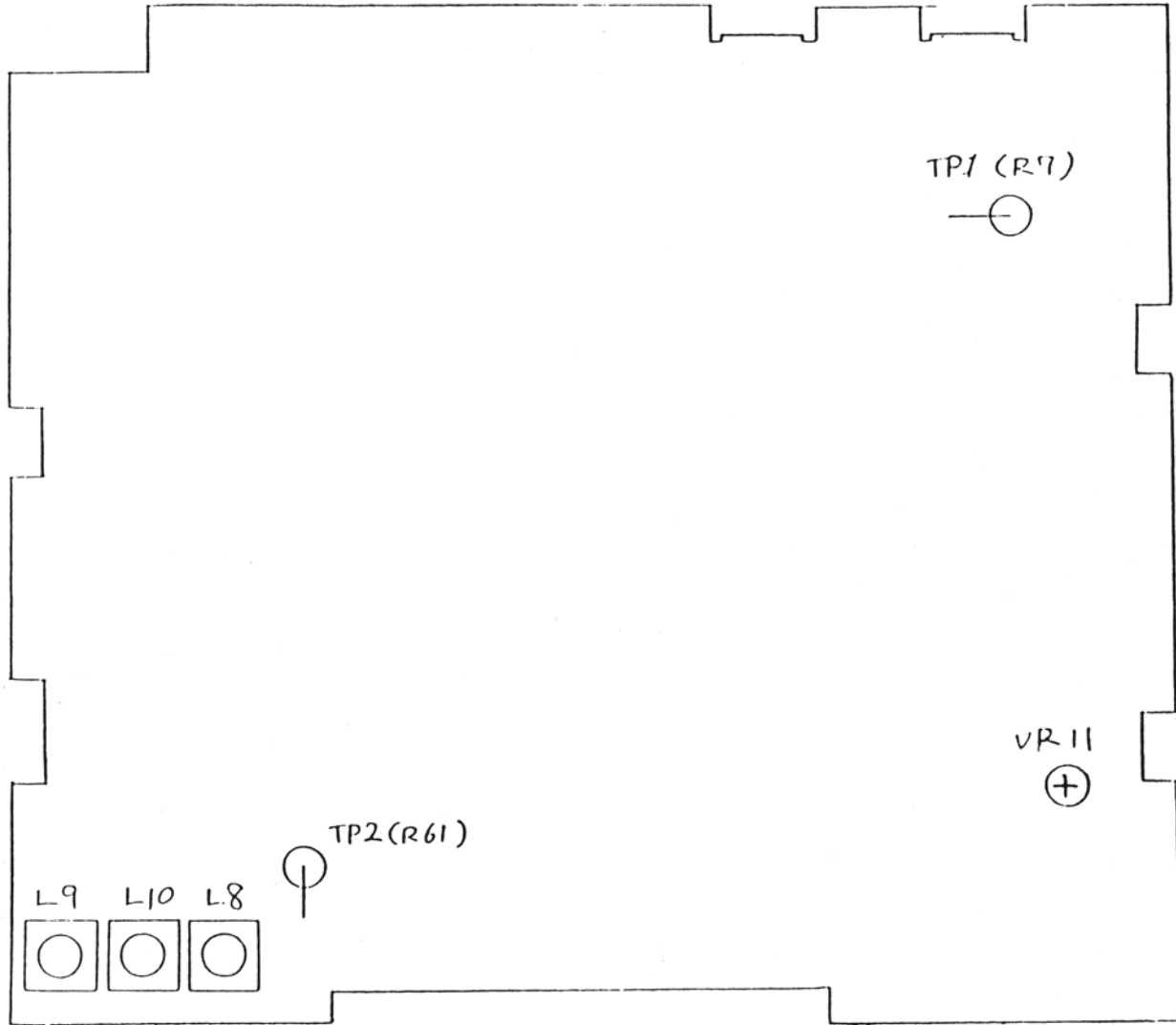
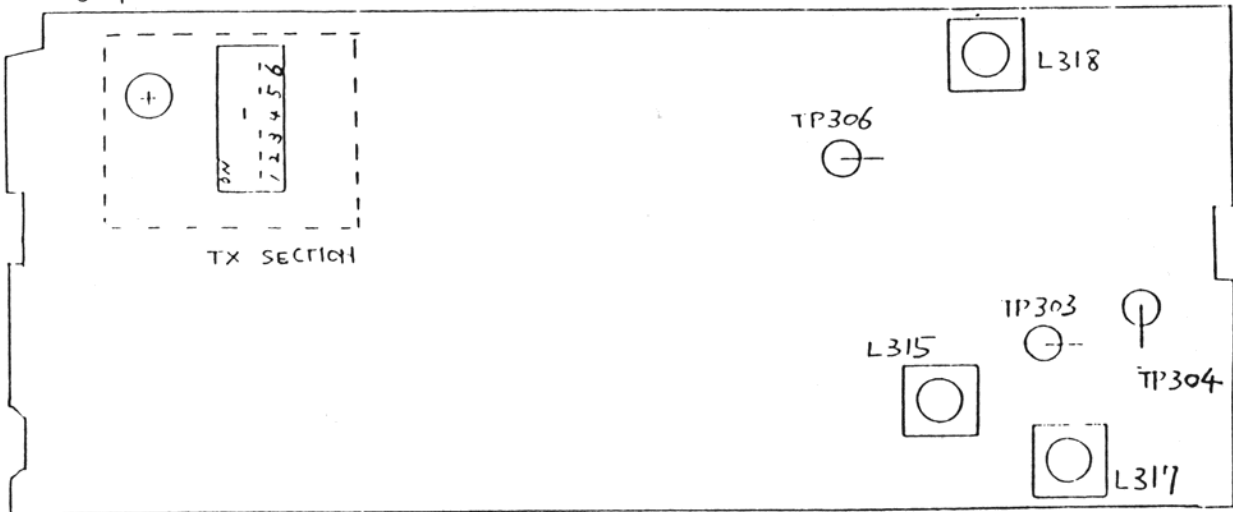


Fig. 7



ALIGNMENT OF TRANSMITTER PORTION

1. Test Equipment Required

DC Power Supply (13.8V) more than 10A	
AF S.S.G. AM FM (1kHz, 500Hz and 2400Hz)	
RF VTVM	Oscilloscope
DC AM METER	RF Power Meter
AF VTVM	Dummy Load (50 ohm)
FM Linear Detector	

2. Preparation for Alignment

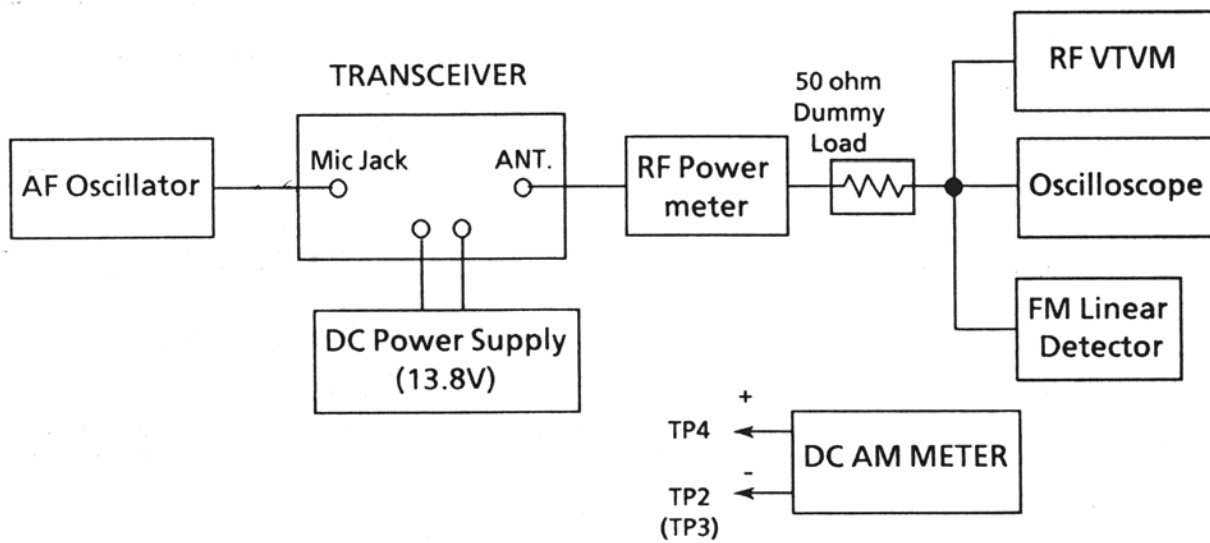
VR13	:	Clockwise	RIT SW	:	OFF
VR14	:	Clockwise	METER SW	:	RF
VR4	:	Clockwise	Mic Gain SW	:	OFF
SWR/CAL	:	Middle Position	TX SW	:	OFF
FREQ.	:	29.000 MHz			

3. Alignment Procedure

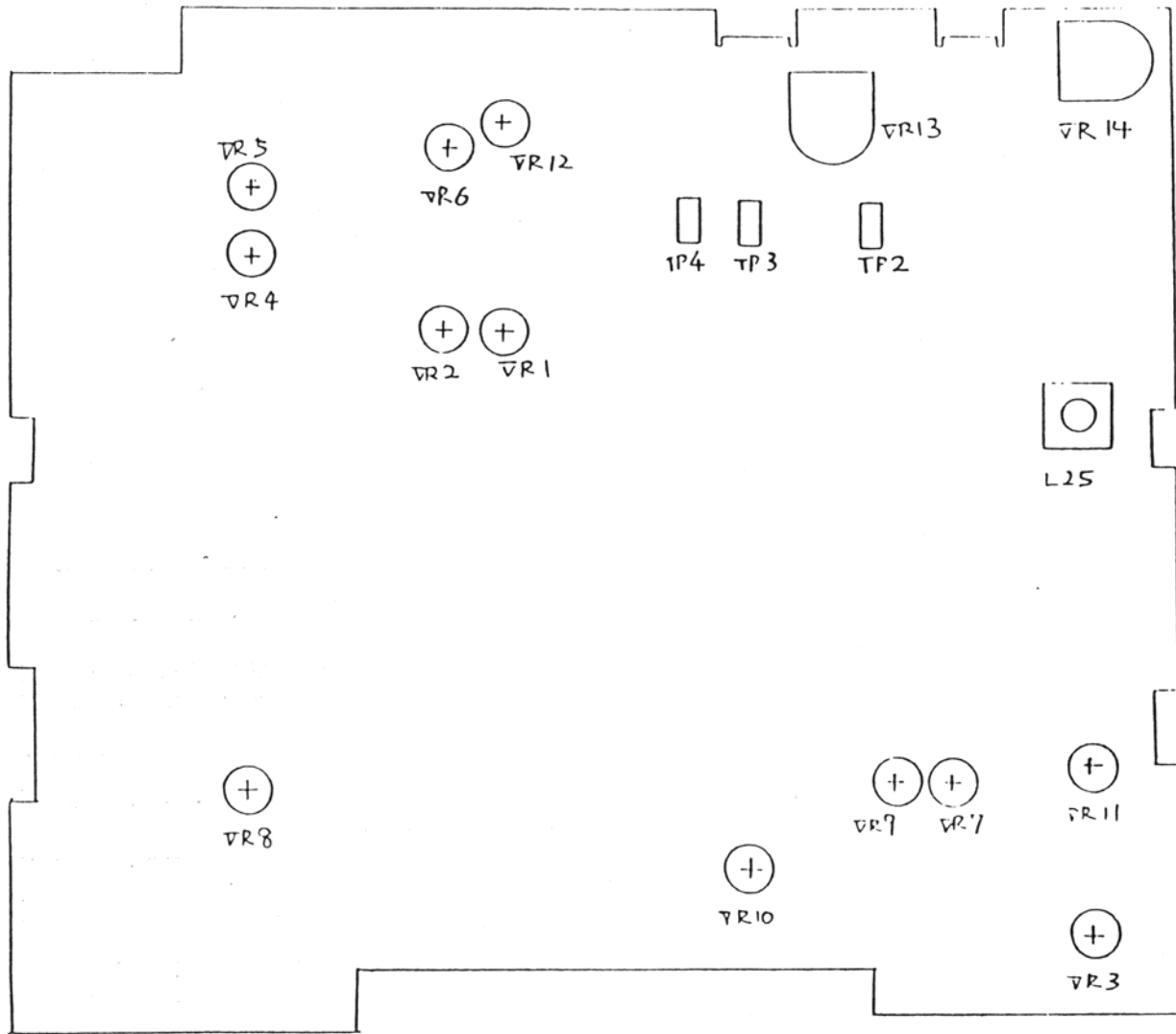
Step	Preset to	Adjustment	Remarks
1	Mode : USB No.mod.	VR13	Remove the B751(PB-100) from Main PCB. Connect a DC AM Meter(+) to TP4, (-) to TP3. Adjust VR13 for 50 mA reading on the DC AM Meter.
2	Ditto	VR14	Connect the DC AM Meter(+) to TP4, (-) to TP2. Adjust VR14 for 50 mA reading on the DC AM Meter.
3	1mV mod.	L 25	Disconnect the DC AM Meter. Reinstall the B751 to the Main PCB. Connect a RF Power meter to the ANT.jack. Connect a RF VTVM, an oscilloscope and an FM Linear Detector across an RF Dummy load to the RF Power meter. Adjust L 25 for maximum reading on the RF VTVM. During this step, set the AF oscillator so that the output is less than 20V.
4	30mV mod.	VR 5	Adjust VR 5 for 32.5V reading on the RF VTVM.
5	USB / LSB No mod.	VR 7	Adjust VR 7 so that the carrier leakage at USB and LSB become minimum and almost equal.
6	Mode : CW Non Mod.	VR 4	Connect a SW to between Pin 8 and 9 of ACC connector. When turn on the SW, adjust VR 4 for 34.5 V reading on the RF VTVM.
7	Mode : AM Non Mod.	VR 8	Adjust VR 8 for 10W reading on the RF power meter.
8	Ditto	VR 12	Adjust VR 12 so that "9" LCD just lights on.
9	AM 1kHz, 30mV Mod.	VR 6	Adjust VR 6 to obtain the 80% negative reading on the oscilloscope.

Step	Preset to	Adjustment	Remarks
10	AM 1kHz, 1mV Mod. METER : MOD	VR 9	Adjust VR 9 so that "9" LCD just lights on.
11	FM 1kHz, 30mV Mod.	VR 3	Adjust VR 3 for ± 4 kHz deviation reading on the FM Linear Detector.
12	FM No Mod. RPT SW : ON	VR 303	Adjust VR 303 for ± 0.6 kHz deviation reading on the FM Linear Detector.
13	Mode: CW No Mod. Vol. : Max.	VR 10	Connect an AF VTVM across a dummy load (8ohm) to between Pin 1 and Pin 2 of ACC connector. When turn on the SW, adjust VR 10 for 4 V reading on the AF VTVM.

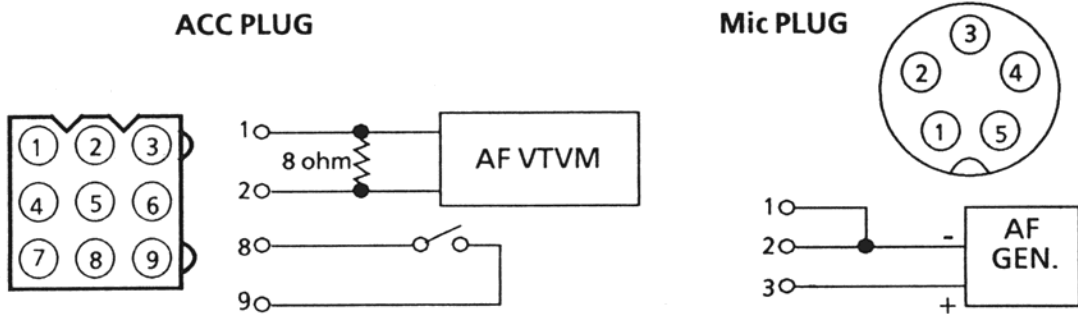
TEST EQUIPMENT CONNECTION



Alignment for Transmitter Portion



CONNECTION FOR Tx ALIGNMENT



ALIGNMENT OF RECEIVER PORTION

1. Test Equipment Required

AF VTVM	DC Power Supply (13.8V)
Oscilloscope	Dummy Load (8 ohm)
S.S.G.(29.000MHz , 1kHz, 30% Mod. 1 kHz 1.5 kHz Dev. and 50-ohm Impedance)	

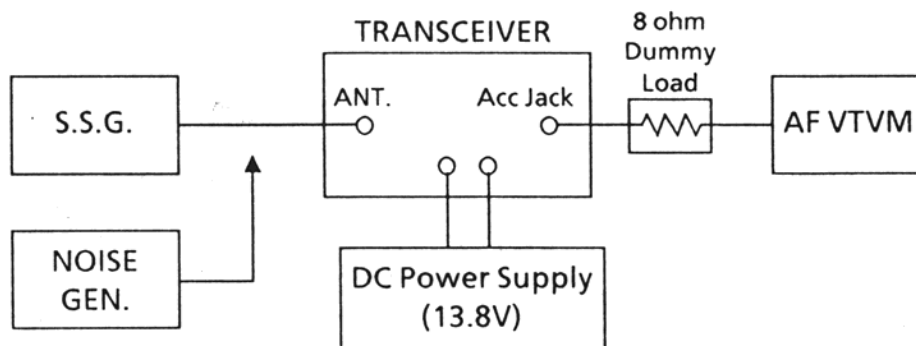
2. Alignment Procedure

NB SW	: OFF	Mode	: AM
RIT SW	: OFF	Squelch	: Min. (Auto SQ OFF)
RPT SW	: OFF	RF Gain	: MAX
VOLUME	: MAX	TX	: OFF
RIT	: Middle position		

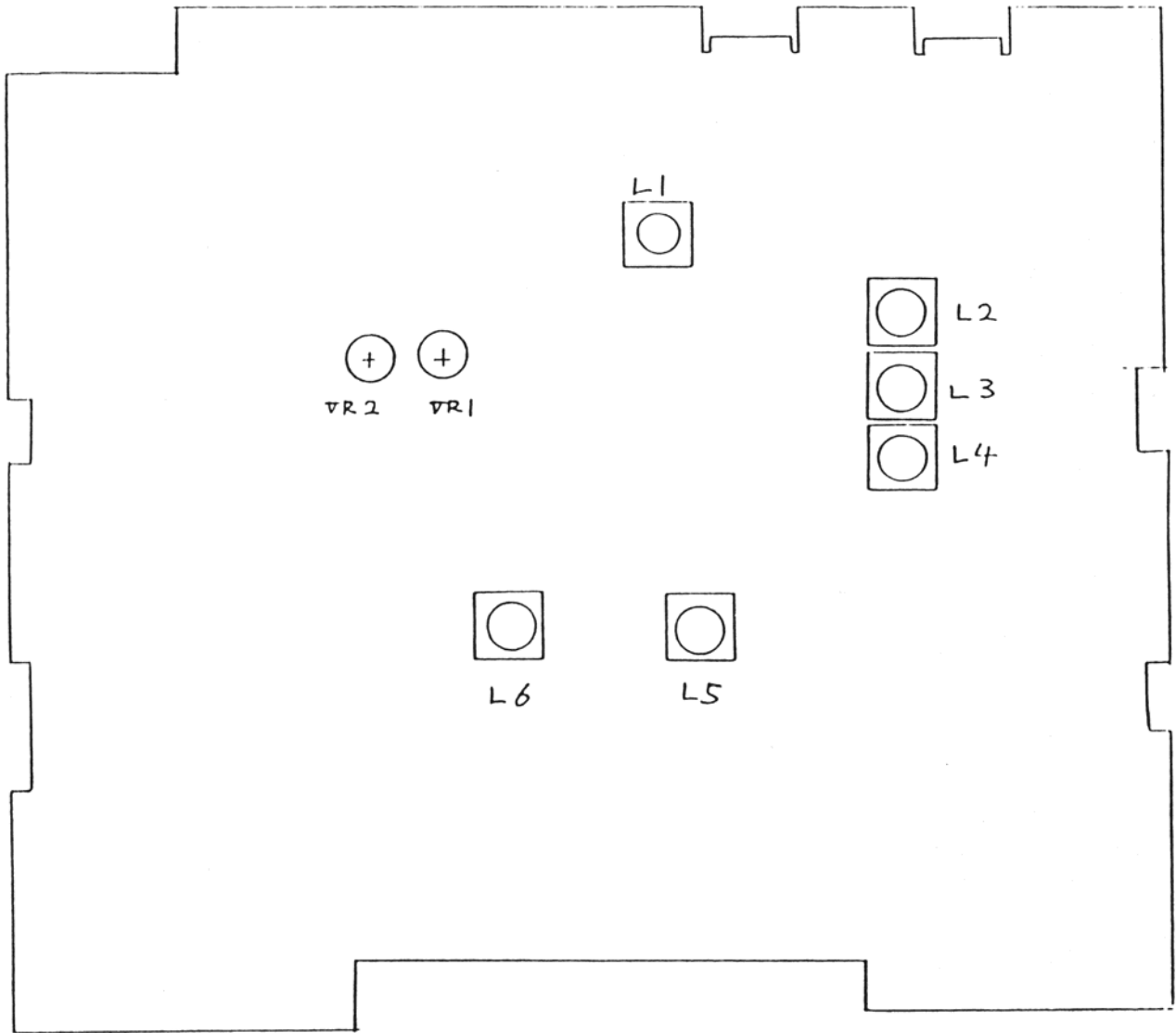
3. Alignment Procedure

Step	Preset to	Adjustment	Remarks
1	RX 29MHz 1 kHz,30% mod.	L 1~6	Alignment of sensitivity Adjust coils for maximum reading on the AF VTVM.(During this step, set the S.S.G.attenuator so that the standard output is less than 0.5W (2V / 8ohm).
2	Ditto	VR 2	Alignment of Squelch Set the output of S.S.G. to 66 dB dB and squelch to maximum. Adjust VR 2 so that the squelch just breaks.
3	No Mod. METER : RF	VR 1	Alignment of S- Meter Set the output of S.S.G. to 46 dB, no modulation. Adjust VR 1 so that "9" LCD just lights on.

TEST EQUIPMENT CONNECTION

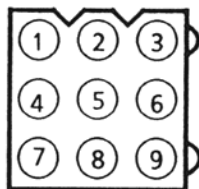


Alignment for Receiver Portion

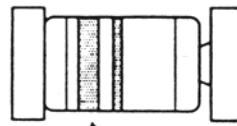
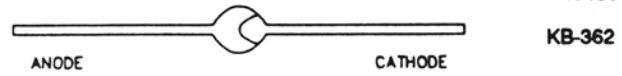
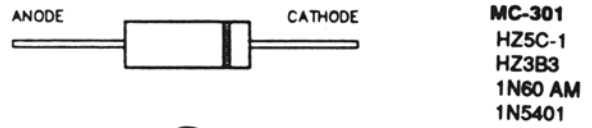
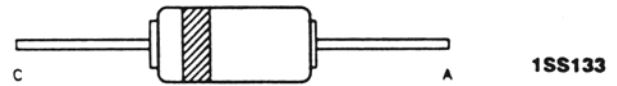
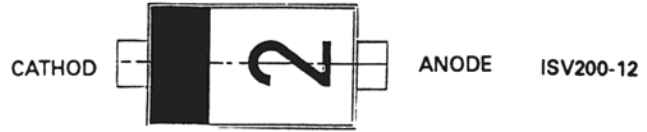
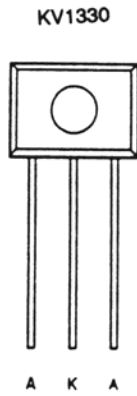
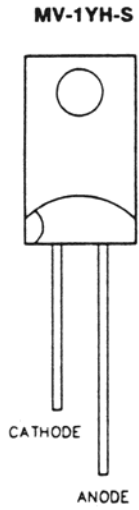


CONNECTION FOR Rx ALIGNMENT

ACC PLUG



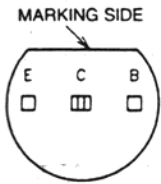
3. SEMICONDUCTOR LEAD IDENTIFICATION



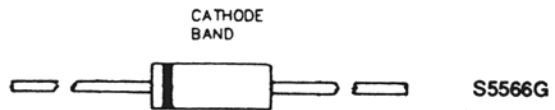
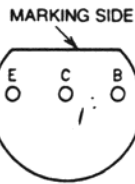
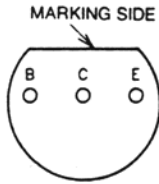
RLS4148 TE11

- 2SC1675-L
- 2SC1730-L
- 2SC945A-Q
- 2SC1674-L
- 2SC1973-SSB
- 2SA733A-PB

2SC3242A-E

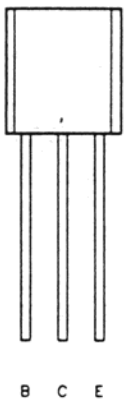


2SC2086-D

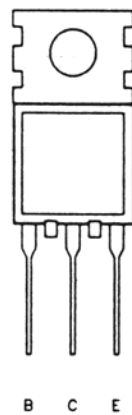


- 2SC2812-L5TA
- 2SC3121 TE85L
- 2SC2814-F5TA
- 2SC2712-YTE85L
- 2SA1179-M6TA

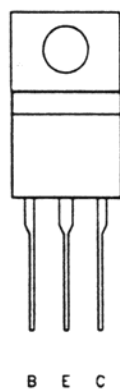
2SB525-D UN I



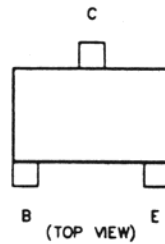
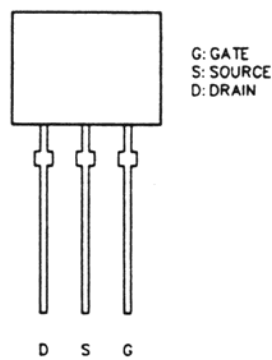
2SC2166-C



MRF-477

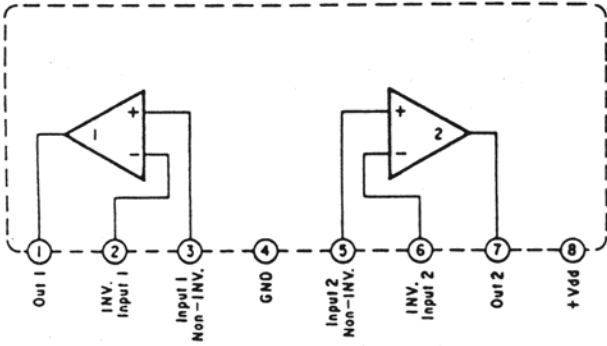


2SK192A-BL

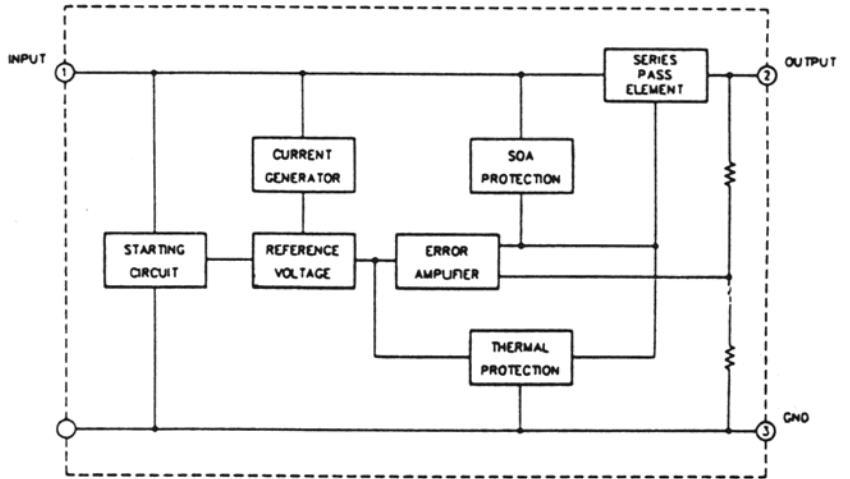
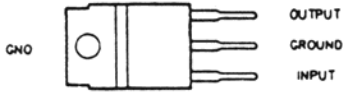


IC INTERNAL DIAGRAM

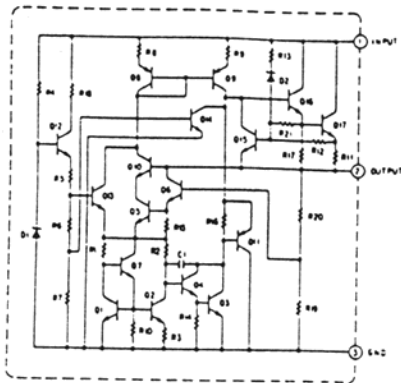
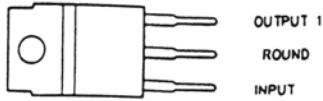
M5223L



L78M08CV

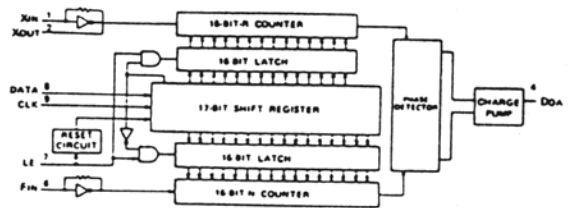
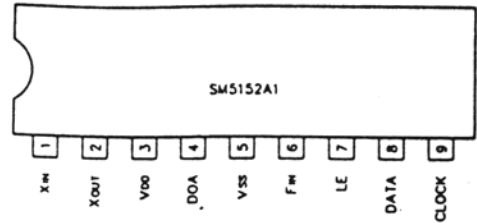


L78M05CV

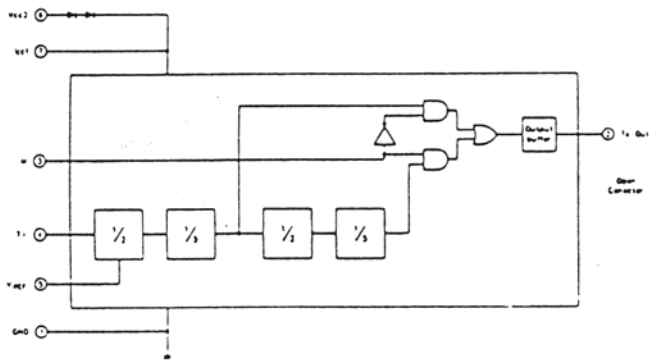


SM5152A1

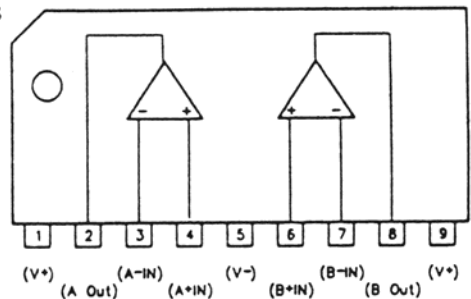
JC302



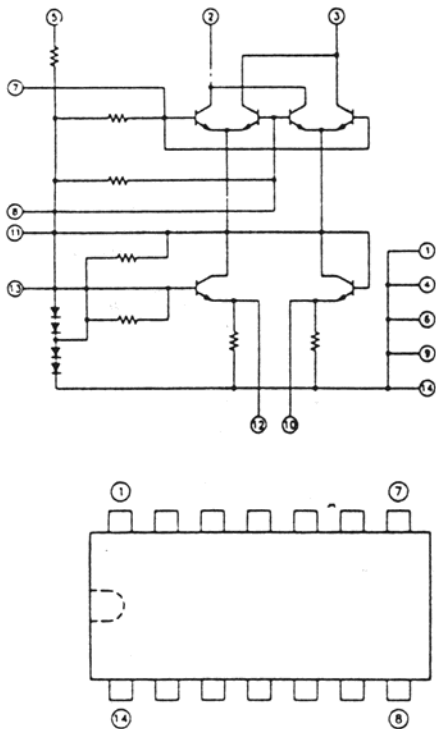
M54460L



**NJM4558S
NJM3404AS**

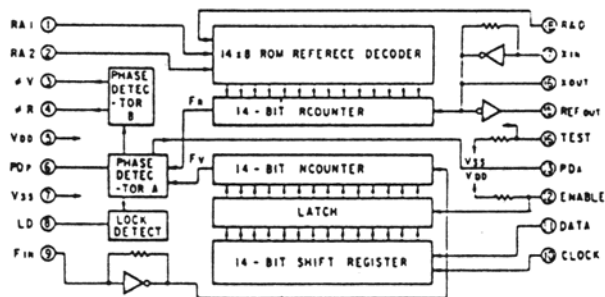
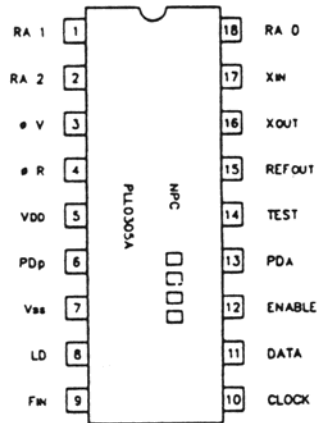


SO42P

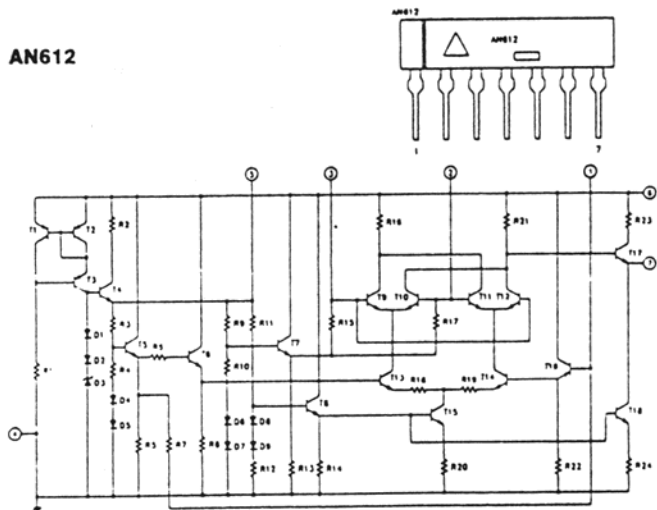


PLL305A

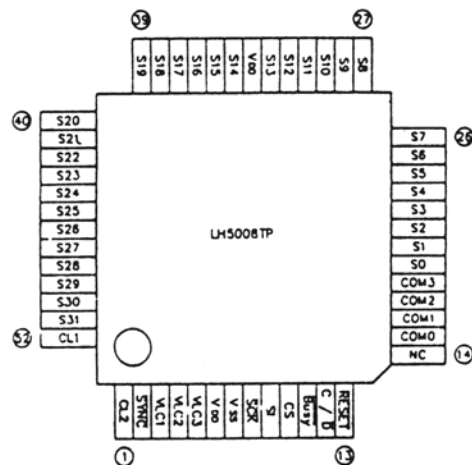
IC 301



AN612

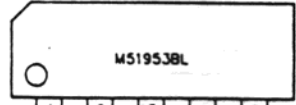
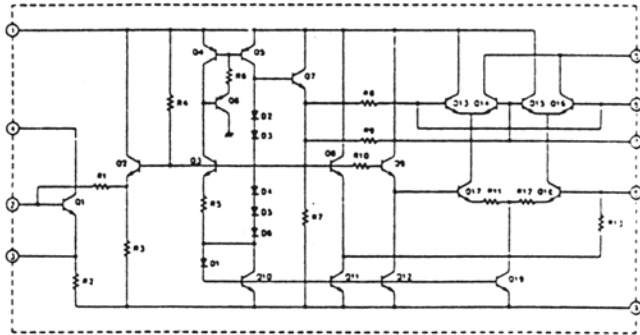
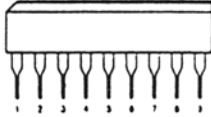


LH5008TP



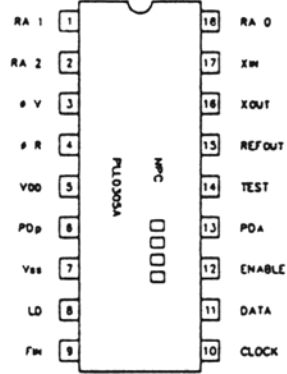
M51953BL

TA7320P

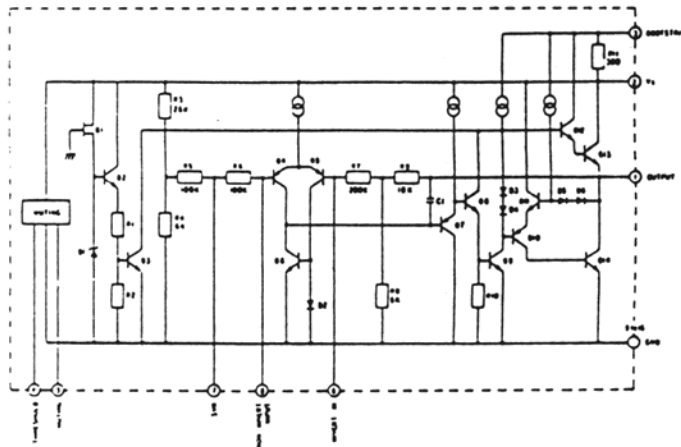
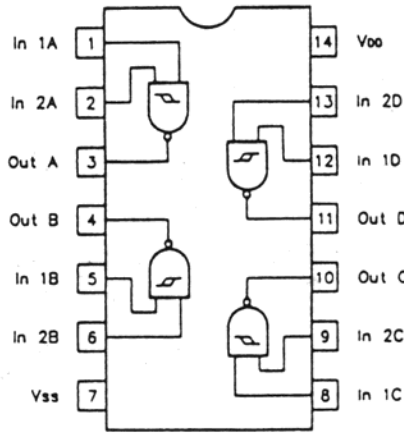


Vcc NC GND OUTPUT
External Capacity to Delay

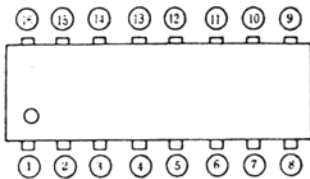
TDA1905



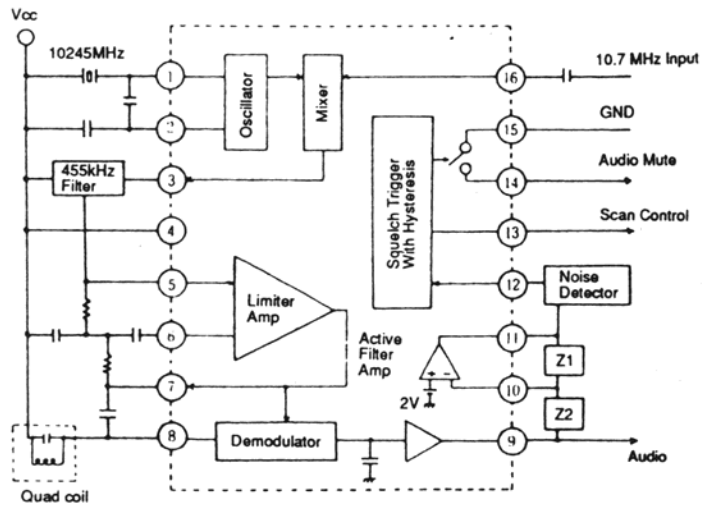
HD14093BP



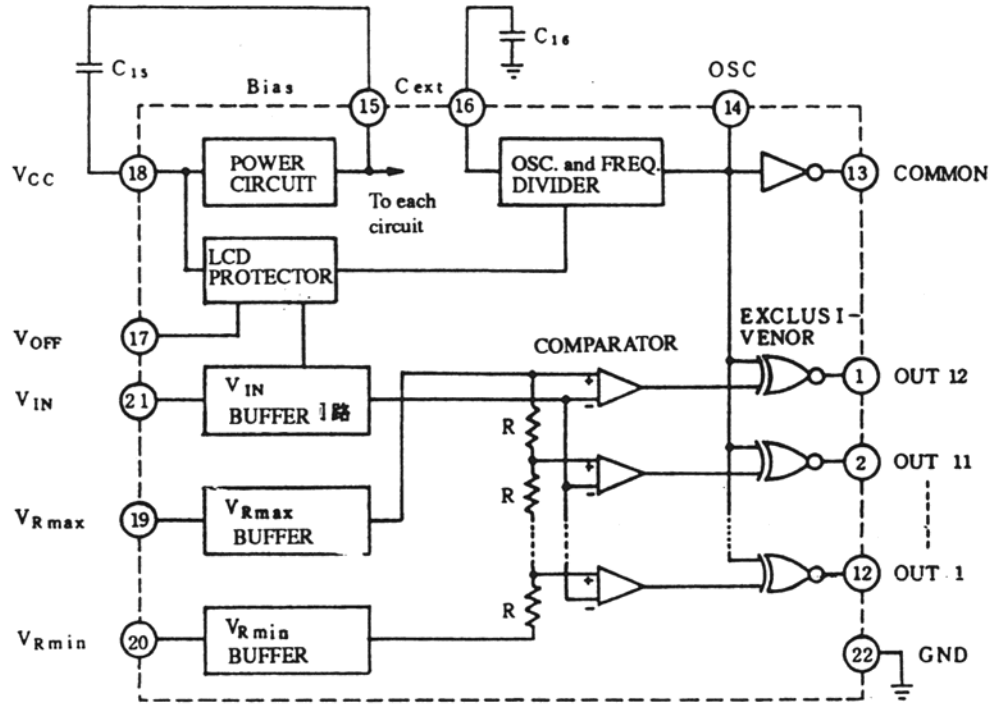
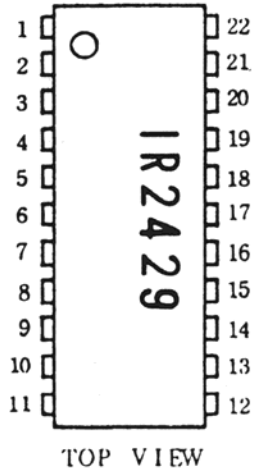
IR3N06



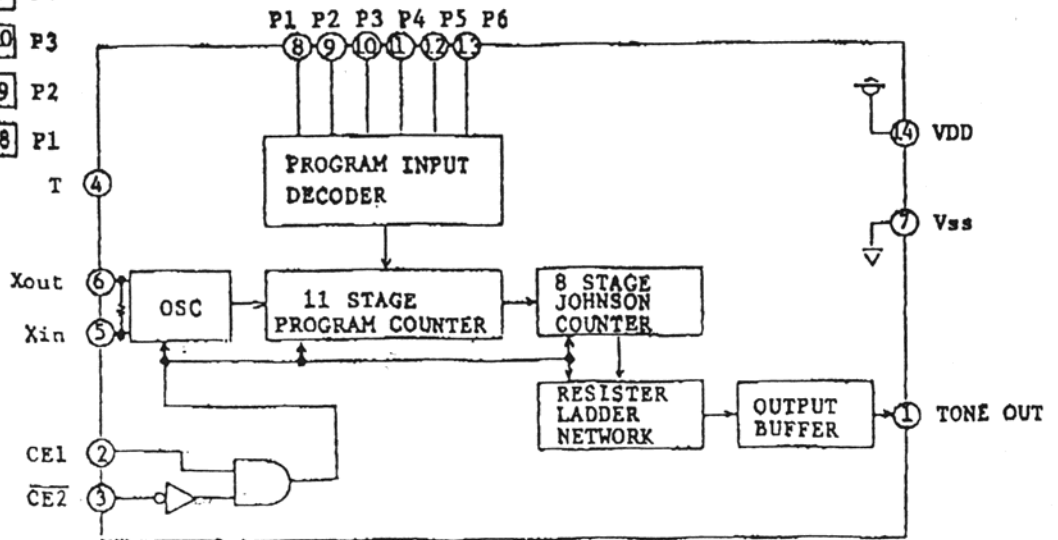
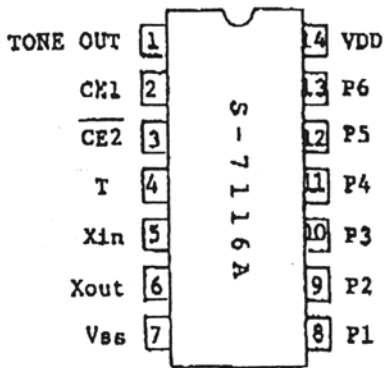
Pin No	functions	Pin No	Functions
1	Crystal OSC	9	Demodulator Output
2	Mixer Output	10	Filter Input
3	Vcc	11	Filter Output
4	Limiter Input	12	Squelch Input
5	Decoupling	13	Scan Control
6	Limiter Output	14	Audio Mixer
7	Quad Input	15	GND
8	Quad Input	16	RF Input

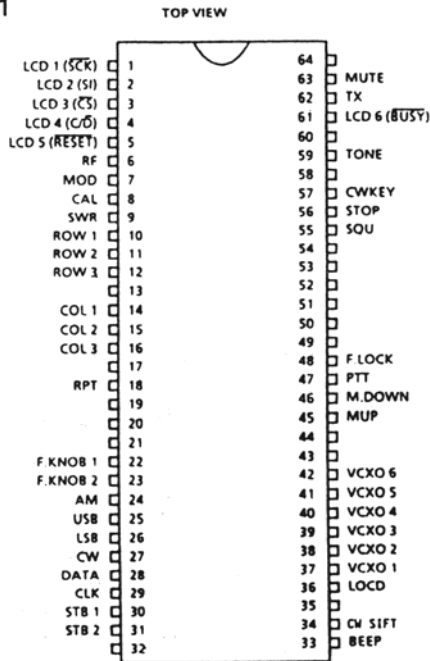


IR2429



S-7116A





Pin No.	Pin Name	I/O	At Reset and Stop	In Out Type	Description
1	LCD SCK	O	H	P,U	LCD Driver SCK
2	LCD SI	O	H	P,U	LCD Driver SI
3	LCD CS	O	H	P,U	LCD Driver CS
4	LCD CD	O	H	P,U	LCD Driver CD
5	LCD Reset	O	H	P,U	LCD Driver Reset
6	RF	O	L	P,D	Indicator RF Selection output L:RF H:other
7	MOD	O	L	P,D	Indicator MOD Selection output L: MOD H:other
8	CAL	O	L	P,D	Indicator CAL Selection output L: CAL H:other
9	SWR	O	L	P,D	Indicator SWR Selection output L: SWR H:other
10	ROW 1	I/O	L	P,D	KEY MATRIX
11	ROW 2	I/O	L	P,D	KEY MATRIX
12	ROW 3	I/O	L	P,D	KEY MATRIX
13					
14	COL 1	I/O	L	P,D	KEY MATRIX
15	COL 2	I/O	L	P,D	KEY MATRIX
16	COL 3	I/O	L	P,D	KEY MATRIX
17					
18	RPT	I	H	P,U	Repeater SW input L: ON H: OFF
19					
20					
21					
22	F.KNOB 1	I			F.KNOB 1 INPUT
23	F.KNOB 2	I			F.KNOB 2 INPUT
24	AM	I	H	P,U	MODE SW AM INPUT L:AM H:Other
25	USB	I/O	H	P,U	MODE SW USB INPUT L:USB H:Other

Pin No.	Pin Name	I/O	At Reset and Stop	In Out Type	Description
26	LSB	I	H	P,U	MODE SW LSB INPUT L:LSB H:Other
27	CW	I/O	H	P,U	MODE SW CW INPUT L:CW H:Other
28	DATA	O	H	P,U	PLL DATA (N1 N2 N3) OUTPUT
29	CLK	O	H	P,U	PLL CLK OUTPUT
30	STB 1	O	H	P,U	PLL LE OUTPUT
31	STB 2	O	H	P,U	PLL ENABLE OUTPUT
32					
33	BEEP	O	H	P,U	Output Square wave 2 kHz at 50msec(Key Push)
34	CW SIFT	I	H	P,U	1700Hz Shift up at CW SIFT H:Enable L:Unenable
35					
36	LOCD	I	H	P,U	PLL LOCK Detected H:LOCK L:UNLOCK
37	VCXO 1	O	H	P,U	PLL VCXO (NO) OUTPUT
38	VCXO 2	O	H	P,U	PLL VCXO (NO) OUTPUT
39	VCXO 3	O	H	P,U	PLL VCXO (NO) OUTPUT
40	VCXO 4	O	H	P,U	PLL VCXO (NO) OUTPUT
41	VCXO 5	O	H	P,U	PLL VCXO (NO) OUTPUT
42	VCXO 6	O	H	P,U	PLL VCXO (NO) OUTPUT
43					
44					
45	H UP	I	H	P,U	MIC UP SW INPUT
46	M-Down	I	H	P,U	MIC Down SW INPUT
47	PTT	I	H	P,U	PTT INPUT L:ON H:OFF
48	F.LOCK	I	H	P,U	F.LOCK SW INPUT L:ON H:OFF
49					
50					

Pin No.	Pin Name	I/O	At Reset and Stop	In Out Type	Description
51					
52					
53					
54					
55	SQU	I	H		SQUELCH INPUT L:YES H:NO
56	STOP	I	H	P,U	L:INTO STOP MODE
57	CW KEY	I	H	P,U	CW KEY INPUT L:ON H:OFF
58					
59	TONE	O	H	P,U	Tone Output H:Selection L:unselection
60					
61	LCD BUSY	O	H	P,U	LCD DRIVER BUSY
62	TX	O			TX/RX OUTPUT H:TX L:RX
63	MUTE	O	L	P,D	MUTE OUTPUT H:MUTE L:UNMUTE
64					

4. PARTS PRICE LIST

Parts price is subject to change without notice.

UCA PARTS PRICE LIST

(MODEL)

HR-2600

(SYMBOL)	(PARTS CODE)	(DESCRIPTION)	(QTY)	(LIST PRICE)
	SSCW133005N	SCREW:FLAT HD + M3X5 NI	4	\$ 0.01
	SSCW192012N	SCREW:BIND HD + M2X12 NI	2	\$ 0.01
	SSCW193006N	SCREW:BIND HD + M3X6 NI	4	\$ 0.01
	SSCW193008B	SCREW:BIND HD + M3X8 BNI	4	\$ 0.02
	SSCW193008N	SCREW:BIND HD + M3X8 NI	1	\$ 0.01
	SSCW293508N	SCREW:TAPPING ROUND HD + D3.5X8 NI	2	\$ 0.03
	SSCW295010N	SCREW:TAPPING ROUND HD + D5X10 NI	4	\$ 0.05
	SSCW343006B	SCREW:TAPTIGHT BIND HD + M3X6 BNI	8	\$ 0.03
	SSCW343006N	SCREW:TAPTIGHT BIND HD + M3X6 NI	4	\$ 0.02
	SSCW430030N	HEX NUT M3.0 NI	1	\$ 0.03
	SSCW480030Z	NUT:FLANGE M3 ZMC	4	\$ 0.07
	SSCW490050N	WASHER FLAT D5 NI	4	\$ 0.03
	SSCW530035N	WASHER:LOCK D3.5 NI	2	\$ 0.03
	SSCW540050N	WASHER:STAR D5 NI	4	\$ 0.05
	SSCW803008N	SCREW:P TIGHT BIND HD + D3X8 NI	3	\$ 0.02
	SSCW133005N	SCREW:FLAT HD + M3X5 NI	4	\$ 0.01
	SSCW193006N	SCREW:BIND HD + M3X6 NI	2	\$ 0.01
	SSCW803008N	SCREW:P TIGHT BIND HD + D3X8 NI	1	\$ 0.02
	SSCW193006N	SCREW:BIND HD + M3X6 NI	4	\$ 0.01
	SSCW803008N	SCREW:P TIGHT BIND HD + D3X8 NI	2	\$ 0.02
			1	\$ 0.02
B001	BPBY0150AAZ	PC BOARD:MAIN PB-150AA	1	\$ 8.03
B201	BPBY0117ABZ	PC BOARD:N.B PB-117AB	1	\$ 1.31
B301	BPBY0148AAZ	PC BOARD:PLL PB-148AA	1	\$ 38.80
B401	BPBY0119ACZ	PC BOARD:FM PB-119AC	1	\$ 1.58
B501	BPBY0112AAZ	PC BOARD:L.C.D PB-112AA	1	\$ 8.46
B551	BPBY0118AAZ	PC BOARD:SWR PB-118AA	1	\$ 1.73
B601	BPBY0153AAZ	PC BOARD:SWITCH PB-153AA	1	\$ 1.15
B651	BPBY0126ABZ	PC BOARD:MIC PB-126AB	1	\$ 0.21
B701	BPBY0114ABZ	PC BOARD:SQ PB-114AB	1	\$ 0.24
B751	BPBY0100ABZ	PC BOARD:CHECK POINT PB-100AB	1	\$ 0.75
B801	BPBY0149AAZ	PC BOARD:RIT PB-149AA	1	\$ 0.62
B901	BPBY0115AAZ	PC BOARD:CH SW PB-115AA	1	\$ 0.19
B911	BPBY0116BAZ	PC BOARD:MODE SW PB-116BA	1	\$ 0.34
C001	BCCR813304Z	CAPACITOR:CERAMIC 33PF 50V J RH	1	\$ 0.08
C003	BCKD811026Z	CAPACITOR:CERAMIC 0.001UF 50V M YD(D)	1	\$ 0.07
C004			1	\$ 0.07

(SYMBOL)	(PARTS CODE)	(DESCRIPTION)	(QTY)	(LIST PRICE)
C005	BCCG811205Z	CAPACITOR:CERAMIC 12PF 50V K SL	1	\$ 0.07
C006	BCKG811030Z	CAPACITOR:CERAMIC 0.01UF 50V Z YF(F)	1	\$ 0.07
C007	BCAX312206Z	CAPACITOR:ELECTROLYTIC 22UF 16V M C-124	1	\$ 0.17
C008	BCKG811030Z	CAPACITOR:CERAMIC 0.01UF 50V Z YF(F)	1	\$ 0.07
C009	BCKG811030Z		1	\$ 0.07
C010	BCEW311006Z	CAPACITOR:ELECTROLYTIC 10UF 16V M C-105	1	\$ 0.50
C011	BCKG811030Z	CAPACITOR:CERAMIC 0.01UF 50V Z YF(F)	1	\$ 0.07
C012	BCCG814091Z	CAPACITOR:CERAMIC 4PF 50V C SL	1	\$ 0.07
C013	BCCG813091Z	CAPACITOR:CERAMIC 3PF 50V C SL	1	\$ 0.07
C014			1	\$ 0.07
C015	BCKG814720Z	CAPACITOR:CERAMIC 0.0047UF 50V Z YF(F)	1	\$ 0.07
C016	BCKD811026Z	CAPACITOR:CERAMIC 0.001UF 50V M YD(D)	1	\$ 0.07
C017			1	\$ 0.07
C018	BCEW311006Z	CAPACITOR:ELECTROLYTIC 10UF 16V M C-105	1	\$ 0.50
C019	BCGC511035Z	CAPACITOR:SEMI CONDUCTOR(SR) 0.01UF 25V K	1	\$ 0.13
C020	BCGC514735Z	CAPACITOR:SEMI-CONDUCTOR(SR) 0.047UF 25V K	1	\$ 0.21
C021			1	\$ 0.21
C022			1	\$ 0.21
C023			1	\$ 0.21
C024	BCCG811505Z	CAPACITOR:CERAMIC 15PF 50V K SL	1	\$ 0.07
C025	BCCG815091Z	CAPACITOR:CERAMIC 5PF 50V C SL	1	\$ 0.07
C026	BCCG811015Z	CAPACITOR:CERAMIC 100PF 50V K SL	1	\$ 0.07
C027	BCAX811096Z	CAPACITOR:ELECTROLYTIC 1UF 50V M C-124	1	\$ 0.17
C028	BCCG812205Z	CAPACITOR:CERAMIC 22PF 50V K SL	1	\$ 0.07
C029	BCCG813305Z	CAPACITOR:CERAMIC 33PF 50V K SL	1	\$ 0.07
C030	BCKG811030Z	CAPACITOR:CERAMIC 0.01UF 50V Z YF(F)	1	\$ 0.07
C031	BCGC514725Z	CAPACITOR:SEMI-CONDUCTOR(SR) 0.0047UF 25V K	1	\$ 0.12
C032	BCGC513335Z	CAPACITOR:SEMI CONDUCTOR(SR) 0.033UF 25V K	1	\$ 0.13
C033	BCAX114706Z	CAPACITOR:ELECTROLYTIC 47UF 10V M C-124	1	\$ 0.17
C034			1	\$ 0.17
C035	BCGC511235Z	CAPACITOR:SEMI-CONDUCTOR(SR) 0.012UF 25V K	1	\$ 0.13
C036	BCGC511035Z	CAPACITOR:SEMI CONDUCTOR(SR) 0.01UF 25V K	1	\$ 0.13
C037	BCCG811805Z	CAPACITOR:CERAMIC 18PF 50V K SL	1	\$ 0.07
C038	BCKD811026Z	CAPACITOR:CERAMIC 0.001UF 50V M YD(D)	1	\$ 0.07
C039	BCAX114706Z	CAPACITOR:ELECTROLYTIC 47UF 10V M C-124	1	\$ 0.17
C040			1	\$ 0.17
C041			1	\$ 0.17
C042			1	\$ 0.17
C043	BCCU815091Z	CAPACITOR:CERAMIC 5PF 50V C UJ	1	\$ 0.08
C044	BCCC811014Z	CAPACITOR:CERAMIC 100PF 50V J CH	1	\$ 0.10
C045	BCCF811091Z	CAPACITOR:CERAMIC 1PF 50V C CK	1	\$ 0.08
C046	BCGC514725Z	CAPACITOR:SEMI-CONDUCTOR(SR) 0.0047UF 25V K	1	\$ 0.12
C047	BCGC511045Z	CAPACITOR:SEMI-CONDUCTOR(SR) 0.1UF 25V K	1	\$ 0.34
C048	BCAX661006Z	CAPACITOR:ELECTROLYTIC 10UF 35V M C-124	1	\$ 0.17

(SYMBOL)	(PARTS CODE)	(DESCRIPTION)	(QTY)	(LIST PRICE)
C049	BCKG814720Z	CAPACITOR:CERAMIC 0.0047UF 50V Z YF(F)	1	\$ 0.07
C050	BCKG811030Z	CAPACITOR:CERAMIC 0.01UF 50V Z YF(F)	1	\$ 0.07
C051			1	\$ 0.07
C052	BCAX114706Z	CAPACITOR:ELECTROLYTIC 47UF 10V M C-124	1	\$ 0.17
C053	BCCR811014Z	CAPACITOR:CERAMIC 100PF 50V J RH	1	\$ 0.10
C054	BCCG813915Z	CAPACITOR:CERAMIC 390PF 50V K SL	1	\$ 0.09
C055	BCKG811030Z	CAPACITOR:CERAMIC 0.01UF 50V Z YF(F)	1	\$ 0.07
C056	BCEW811096Z	CAPACITOR:ELECTROLYTIC 1UF 50V M C-105	1	\$ 0.50
C057	BCGC511045Z	CAPACITOR:SEMI-CONDUCTOR(SR) 0.1UF 25V K	1	\$ 0.34
C058	BCGC514725Z	CAPACITOR:SEMI-CONDUCTOR(SR) 0.0047UF 25V K	1	\$ 0.12
C059	BCEW811096Z	CAPACITOR:ELECTROLYTIC 1UF 50V M C-105	1	\$ 0.50
C060	BCAX114716Z	CAPACITOR:ELECTROLYTIC 470UF 10V M C-124	1	\$ 0.34
C061	BCCG814715Z	CAPACITOR:CERAMIC 470PF 50V K SL	1	\$ 0.13
C062	BCAX814786Z	CAPACITOR:ELECTROLYTIC 0.47UF 50V M C-124	1	\$ 0.17
C063	BCEW812286Z	CAPACITOR:ELECTROLITIC 0.22UF 50V M C-105	1	\$ 0.50
C064	BCAX111016Z	CAPACITOR:ELECTROLYTIC 100UF 10V M C-124	1	\$ 0.21
C065	BCEW812296Z	CAPACITOR:ELECTROLITIC 2.2UF 50V M C-105	1	\$ 0.50
C066	BCGC514735Z	CAPACITOR:SEMI-CONDUCTOR(SR) 0.047UF 25V K	1	\$ 0.21
C067	BCEW311006Z	CAPACITOR:ELECTROLYTIC 10UF 16V M C-105	1	\$ 0.50
C068	BCAX811096Z	CAPACITOR:ELECTROLYTIC 1UF 50V M C-124	1	\$ 0.17
C069	BCEW811096Z	CAPACITOR:ELECTROLYTIC 1UF 50V M C-105	1	\$ 0.50
C070			1	\$ 0.50
C071			1	\$ 0.50
C072	BCGC514735Z	CAPACITOR:SEMI-CONDUCTOR(SR) 0.047UF 25V K	1	\$ 0.21
C073	BCEW311006Z	CAPACITOR:ELECTROLYTIC 10UF 16V M C-105	1	\$ 0.50
C074	BCAX814796Z	CAPACITOR:ELECTROLYTIC 4.7UF 50V M C-124	1	\$ 0.17
C075	BCAX112216Z	CAPACITOR:ELECTROLYTIC 220UF 10V M C-124	1	\$ 0.26
C076	BCCF811091Z	CAPACITOR:CERAMIC 1PF 50V C CK	1	\$ 0.08
C077			1	\$ 0.08
C078	BCAX811096Z	CAPACITOR:ELECTROLYTIC 1UF 50V M C-124	1	\$ 0.17
C079	BCCG814715Z	CAPACITOR:CERAMIC 470PF 50V K SL	1	\$ 0.13
C081	BCKG811030Z	CAPACITOR:CERAMIC 0.01UF 50V Z YF(F)	1	\$ 0.07
C082	BCCR811214Z	CAPACITOR:CERAMIC 120PF 50V J RH	1	\$ 0.11
C083	BCCG813315Z	CAPACITOR:CERAMIC 330PF 50V K SL	1	\$ 0.09
C084	BCCR812204Z	CAPACITOR:CERAMIC 22PF 50V J RH	1	\$ 0.08
C085	BCCR815604Z	CAPACITOR:CERAMIC 56PF 50V J RH	1	\$ 0.09
C086	BCCR811204Z	CAPACITOR:CERAMIC 12PF 50V J RH	1	\$ 0.08
C087	BCAX814796Z	CAPACITOR:ELECTROLYTIC 4.7UF 50V M C-124	1	\$ 0.17
C090	BCAX114706Z	CAPACITOR:ELECTROLYTIC 47UF 10V M C-124	1	\$ 0.17
C091	BCGC512235Z	CAPACITOR:SEMI-CONDUCTOR(SR) 0.022UF 25V K	1	\$ 0.15
C092	BCGC511835Z	CAPACITOR:SEMI CONDUCTOR(SR) 0.018UF 25V K	1	\$ 0.15
C093			1	\$ 0.15
C094	BCGC511035Z	CAPACITOR:SEMI CONDUCTOR(SR) 0.01UF 25V K	1	\$ 0.13
C095	BCAX114716Z	CAPACITOR:ELECTROLYTIC 470UF 10V M C-124	1	\$ 0.34

(SYMBOL)	(PARTS CODE)	(DESCRIPTION)	(QTY)	(LIST PRICE)
C096	BCGC511045Z	CAPACITOR:SEMI-CONDUCTOR(SR) 0.1UF 25V K	1	\$ 0.34
C097	BCAX114706Z	CAPACITOR:ELECTROLYTIC 47UF 10V M C-124	1	\$ 0.17
C098	BCAX812296Z	CAPACITOR:ELECTROLYTIC 2.2UF 50V M C-124	1	\$ 0.17
C099	BCAX814796Z	CAPACITOR:ELECTROLYTIC 4.7UF 50V M C-124	1	\$ 0.17
C100	BCCG814715Z	CAPACITOR:CERAMIC 470PF 50V K SL	1	\$ 0.13
C102	BCGC511045Z	CAPACITOR:SEMI-CONDUCTOR(SR) 0.1UF 25V K	1	\$ 0.34
C103	BCKD811026Z	CAPACITOR:CERAMIC 0.001UF 50V M YD(D)	1	\$ 0.07
C104	BCGC514725Z	CAPACITOR:SEMI-CONDUCTOR(SR) 0.0047UF 25V K	1	\$ 0.12
C105	BCGC511035Z	CAPACITOR:SEMI CONDUCTOR(SR) 0.01UF 25V K	1	\$ 0.13
C110	BCCG813305Z	CAPACITOR:CERAMIC 33PF 50V K SL	1	\$ 0.07
C111	BCEW311006Z	CAPACITOR:ELECTROLYTIC 10UF 16V M C-105	1	\$ 0.50
C112	BCCR811014Z	CAPACITOR:CERAMIC 100PF 50V J RH	1	\$ 0.10
C113	BCCR813304Z	CAPACITOR:CERAMIC 33PF 50V J RH	1	\$ 0.08
C114	BCCR811814Z	CAPACITOR:CERAMIC 180PF 50V J RH	1	\$ 0.14
C115			1	\$ 0.14
C116	BCCR811514Z	CAPACITOR:CERAMIC 150PF 50V J RH	1	\$ 0.14
C117	BCCG813915Z	CAPACITOR:CERAMIC 390PF 50V K SL	1	\$ 0.09
C118	BCKG814720Z	CAPACITOR:CERAMIC 0.0047UF 50V Z YF(F)	1	\$ 0.07
C119	BCEW814786Z	CAPACITOR:ELECTROLYTIC 0.47UF 50V M C-105	1	\$ 0.50
C120	BCCG815615Z	CAPACITOR:CERAMIC 560PF 50V K SL	1	\$ 0.13
C121	BCKD811026Z	CAPACITOR:CERAMIC 0.001UF 50V M YD(D)	1	\$ 0.07
C122	BCKD811036Z	CAPACITOR:CERAMIC 0.01UF 50V M YD(D)	1	\$ 0.14
C123	BCKD811026Z	CAPACITOR:CERAMIC 0.001UF 50V M YD(D)	1	\$ 0.07
C124	BCCG815615Z	CAPACITOR:CERAMIC 560PF 50V K SL	1	\$ 0.13
C125			1	\$ 0.13
C126	BCCG818215Z	CAPACITOR:CERAMIC 820PF 50V K SL	1	\$ 0.19
C127	BCCG813315Z	CAPACITOR:CERAMIC 330PF 50V K SL	1	\$ 0.09
C128	BCEW812286Z	CAPACITOR:ELECTROLITIC 0.22UF 50V M C-105	1	\$ 0.50
C129	BCKD811036Z	CAPACITOR:CERAMIC 0.01UF 50V M YD(D)	1	\$ 0.14
C130	BCAX114706Z	CAPACITOR:ELECTROLYTIC 47UF 10V M C-124	1	\$ 0.17
C131	BCKD811036Z	CAPACITOR:CERAMIC 0.01UF 50V M YD(D)	1	\$ 0.14
C132	BCCR812214Z	CAPACITOR:CERAMIC 220PF 50V J RH	1	\$ 0.19
C133	BCAX111016Z	CAPACITOR:ELECTROLYTIC 100UF 10V M C-124	1	\$ 0.21
C134	BCKB815615Z	CAPACITOR:CERAMIC 560PF 50V K YB(B)	1	\$ 0.07
C135	BCKG811030Z	CAPACITOR:CERAMIC 0.01UF 50V Z YF(F)	1	\$ 0.07
C136	BCKD811026Z	CAPACITOR:CERAMIC 0.001UF 50V M YD(D)	1	\$ 0.07
C138	BCKG814720Z	CAPACITOR:CERAMIC 0.0047UF 50V Z YF(F)	1	\$ 0.07
C139	BCKG811030Z	CAPACITOR:CERAMIC 0.01UF 50V Z YF(F)	1	\$ 0.07
C140	BCGC514735Z	CAPACITOR:SEMI-CONDUCTOR(SR) 0.047UF 25V K	1	\$ 0.21
C141	BCCG814715Z	CAPACITOR:CERAMIC 470PF 50V K SL	1	\$ 0.13
C142	BCKG811030Z	CAPACITOR:CERAMIC 0.01UF 50V Z YF(F)	1	\$ 0.07
C143	BCCU811014Z	CAPACITOR:CERAMIC 100PF 50V J UJ	1	\$ 0.09
C144	BCCU813314Z	CAPACITOR:CERAMIC 330PF 50V J UJ	1	\$ 0.14
C145	BCKG811030Z	CAPACITOR:CERAMIC 0.01UF 50V Z YF(F)	1	\$ 0.07

(SYMBOL)	(PARTS CODE)	(DESCRIPTION)	(QTY)	(LIST PRICE)
C146	BCGC511025Z	CAPACITOR:SEMI-CONDUCTOR(SR) 0.001UF 25V K	1	\$ 0.12
C147	BCGC513335Z	CAPACITOR:SEMI-CONDUCTOR(SR) 0.033UF 25V K	1	\$ 0.19
C148	BCEW812286Z	CAPACITOR:ELECTROLITIC 0.22UF 50V M C-105	1	\$ 0.50
C149	BCEW311006Z	CAPACITOR:ELECTROLYTIC 10UF 16V M C-105	1	\$ 0.50
C150	BCKC514730Z	CAPACITOR:CERAMIC 0.047UF 25V Z ZF	1	\$ 0.15
C151	BCKG811030Z	CAPACITOR:CERAMIC 0.01UF 50V Z YF(F)	1	\$ 0.07
C152	BCAX511026Z	CAPACITOR:ELECTROLYTIC 1000UF 25V M C-124	1	\$ 1.25
C154			1	\$ 1.25
C155	BCAX114716Z	CAPACITOR:ELECTROLYTIC 470UF 10V M C-124	1	\$ 0.34
C201	BCVR314726Z	C:CERAMIC MELF 4700PF 16V M X C-140 TAPE	1	\$ 0.13
C202	BCXE814735Z	C:CERAMIC M/L (3216) TAPE 0.047UF 50V K C(B)	1	\$ 0.34
C203	BCEW311006Z	CAPACITOR:ELECTROLYTIC 10UF 16V M C-105	1	\$ 0.50
C204	BCVL811004Z	C:CERAMIC MELF 10PF 50V J SL C-140 TAPE	1	\$ 0.12
C205	BCXE814735Z	C:CERAMIC M/L (3216) TAPE 0.047UF 50V K C(B)	1	\$ 0.34
C206	BCVR314726Z	C:CERAMIC MELF 4700PF 16V M X C-140 TAPE	1	\$ 0.13
C207	BCVP811025Z	C:CERAMIC MELF 0.001U 50V K B C-140 TAPE	1	\$ 0.12
C208	BCVP818205Z	C:CERAMIC MELF 82PF 50V K B C-140 TAPE	1	\$ 0.12
C209	BCVQ311036Z	C:CERAMIC MELF 0.01UF 16V M Y C-140 TAPE	1	\$ 0.12
C210	BCEW814786Z	CAPACITOR:ELECTROLYTIC 0.47UF 50V M C-105	1	\$ 0.50
C212	BCVP813315Z	C:CERAMIC MELF 330PF 50V K B C-140 TAPE	1	\$ 0.12
C213	BCVP811025Z	C:CERAMIC MELF 0.001U 50V K B C-140 TAPE	1	\$ 0.12
C214	BCEW311006Z	CAPACITOR:ELECTROLYTIC 10UF 16V M C-105	1	\$ 0.50
C215	BCVP813315Z	C:CERAMIC MELF 330PF 50V K B C-140 TAPE	1	\$ 0.12
C216	BCVQ311036Z	C:CERAMIC MELF 0.01UF 16V M Y C-140 TAPE	1	\$ 0.12
C301	BCXE814735Z	C:CERAMIC M/L (3216) TAPE 0.047UF 50V K C(B)	1	\$ 0.34
C302	BCAX312206Z	CAPACITOR:ELECTROLYTIC 22UF 16V M C-124	1	\$ 0.17
C303	BCSB114796Z	CAPACITOR:TANTALUM 4.7UF 10V M C-089	1	\$ 0.56
C304	BCVP811025Z	C:CERAMIC MELF 0.001U 50V K B C-140 TAPE	1	\$ 0.12
C305	BCVQ311036Z	C:CERAMIC MELF 0.01UF 16V M Y C-140 TAPE	1	\$ 0.12
C306	BCEW811096Z	CAPACITOR:ELECTROLYTIC 1UF 50V M C-105	1	\$ 0.50
C307			1	\$ 0.50
C308	BCVP811815Z	C:CERAMIC MELF 180PF 50V K B C-140 TAPE	1	\$ 0.12
C309	BCXE813935Z	C:CERAMIC M/L (3216) TAPE 0.039UF 50V K C(B)	1	\$ 0.34
C310	BCAX814796Z	CAPACITOR:ELECTROLYTIC 4.7UF 50V M C-124	1	\$ 0.17
C311	BCGC513335Z	CAPACITOR:SEMI-CONDUCTOR(SR) 0.033UF 25V K	1	\$ 0.19
C312	BCXD811015Z	C:CERAMIC M/L (3216) TAPE 100PF 50V K CG	1	\$ 0.19
C313	BCVM811504Z	C:CERAMIC MELF 15PF 50V J CH C-140 TAPE	1	\$ 0.13
C314	BCXD812215Z	C:CERAMIC M/L (3216) TAPE 220PF 50V K CG	1	\$ 0.21
C315	BCVM812091Z	C:CERAMIC MELF 2PF 50V C CH C-140 TAPE	1	\$ 0.13
C316	BCXD816805Z	C:CERAMIC M/L (3216) TAPE 68PF 50V K CG	1	\$ 0.19
C317	BCVP811025Z	C:CERAMIC MELF 0.001U 50V K B C-140 TAPE	1	\$ 0.12
C318	BCVQ311036Z	C:CERAMIC MELF 0.01UF 16V M Y C-140 TAPE	1	\$ 0.12
C319	BCGC511035Z	CAPACITOR:SEMI CONDUCTOR(SR) 0.01UF 25V K	1	\$ 0.13
C320	BCAX814796Z	CAPACITOR:ELECTROLYTIC 4.7UF 50V M C-124	1	\$ 0.17

(SYMBOL)	(PARTS CODE)	(DESCRIPTION)	(QTY)	(LIST PRICE)
C321	BCXE814735Z	C:CERAMIC M/L (3216) TAPE	0.047UF 50V K C(B)	1 \$ 0.34
C322	BCVP811025Z	C:CERAMIC MELF	0.001U 50V K B C-140 TAPE	1 \$ 0.12
C323	BCVQ311036Z	C:CERAMIC MELF	0.01UF 16V M Y C-140 TAPE	1 \$ 0.12
C324	BCVL815604Z	C:CERAMIC MELF	56PF 50V J SL C-140 TAPE	1 \$ 0.12
C325	BCVP811025Z	C:CERAMIC MELF	0.001U 50V K B C-140 TAPE	1 \$ 0.12
C326	BCVL819092Z	C:CERAMIC MELF	9PF 50V D SL C-140 TAPE	1 \$ 0.12
C327	BCVL812204Z	C:CERAMIC MELF	22PF 50V J SL C-140 TAPE	1 \$ 0.12
C328	BCVL813904Z	C:CERAMIC MELF	39PF 50V J SL C-140 TAPE	1 \$ 0.12
C329	BCVL816092Z	C:CERAMIC MELF	6PF 50V D SL C-140 TAPE	1 \$ 0.12
C330	BCVP813915Z	C:CERAMIC MELF	390PF 50V K B C-140 TAPE	1 \$ 0.12
C331	BCVL811804Z	C:CERAMIC MELF	18PF 50V J SL C-140 TAPE	1 \$ 0.12
C332	BCVQ311036Z	C:CERAMIC MELF	0.01UF 16V M Y C-140 TAPE	1 \$ 0.12
C333	BCVP811515Z	C:CERAMIC MELF	150PF 50V K B C-140 TAPE	1 \$ 0.12
C334				1 \$ 0.12
C335	BCVP811025Z	C:CERAMIC MELF	0.001U 50V K B C-140 TAPE	1 \$ 0.12
C336				1 \$ 0.12
C337	BCAX811096Z	CAPACITOR:ELECTROLYTIC	1UF 50V M C-124	1 \$ 0.17
C338	BCEW811096Z	CAPACITOR:ELECTROLYTIC	1UF 50V M C-105	1 \$ 0.00
C339	BCXE814735Z	C:CERAMIC M/L (3216) TAPE	0.047UF 50V K C(B)	1 \$ 0.34
C340	BCVL812204Z	C:CERAMIC MELF	22PF 50V J SL C-140 TAPE	1 \$ 0.12
C341	BCAX814796Z	CAPACITOR:ELECTROLYTIC	4.7UF 50V M C-124	1 \$ 0.17
C342				1 \$ 0.17
C345	BCVL811504Z	C:CERAMIC MELF	15PF 50V J SL C-140 TAPE	1 \$ 0.12
C346	BCVL818092Z	C:CERAMIC MELF	8PF 50V D SL C-140 TAPE	1 \$ 0.12
C347	BCVL811504Z	C:CERAMIC MELF	15PF 50V J SL C-140 TAPE	1 \$ 0.12
C348	BCVP811025Z	C:CERAMIC MELF	0.001U 50V K B C-140 TAPE	1 \$ 0.12
C349	BCVP811015Z	C:CERAMIC MELF	100PF 50V K B C-140 TAPE	1 \$ 0.12
C350	BCAX814786Z	CAPACITOR:ELECTROLYTIC	0.47UF 50V M C-124	1 \$ 0.17
C351	BCVP811015Z	C:CERAMIC MELF	100PF 50V K B C-140 TAPE	1 \$ 0.12
C352	BCXE814735Z	C:CERAMIC M/L (3216) TAPE	0.047UF 50V K C(B)	1 \$ 0.34
C353	BCVP811025Z	C:CERAMIC MELF	0.001U 50V K B C-140 TAPE	1 \$ 0.12
C354				1 \$ 0.12
C355	BCXE814735Z	C:CERAMIC M/L (3216) TAPE	0.047UF 50V K C(B)	1 \$ 0.34
C356	BCVP811025Z	C:CERAMIC MELF	0.001U 50V K B C-140 TAPE	1 \$ 0.12
C357				1 \$ 0.12
C358	BCXD811515Z	C:CERAMIC M/L (3216) TAPE	150PF 50V K CG	1 \$ 0.19
C359	BCXD813915Z	C:CERAMIC M/L (3216) TAPE	390PF 50V K CG	1 \$ 0.24
C360	BCVM815092Z	C:CERAMIC MELF	5PF 50V D CH C-140 TAPE	1 \$ 0.13
C361	BCVM811204Z	C:CERAMIC MELF	12PF 50V J CH C-140 TAPE	1 \$ 0.13
C362	BCXD811015Z	C:CERAMIC M/L (3216) TAPE	100PF 50V K CG	1 \$ 0.19
C363	BCVQ311036Z	C:CERAMIC MELF	0.01UF 16V M Y C-140 TAPE	1 \$ 0.12
C364	BCVP811025Z	C:CERAMIC MELF	0.001U 50V K B C-140 TAPE	1 \$ 0.12
C365				1 \$ 0.12
C366	BCXE814735Z	C:CERAMIC M/L (3216) TAPE	0.047UF 50V K C(B)	1 \$ 0.34

(SYMBOL)	(PARTS CODE)	(DESCRIPTION)	(QTY)	(LIST PRICE)
C367	BCVP811025Z	C:CERAMIC MELF 0.001U 50V K B C-140 TAPE	1	; 0.12
C368			1	; 0.12
C369	BCVL813904Z	C:CERAMIC MELF 39PF 50V J SL C-140 TAPE	1	; 0.12
C370	BCVQ311036Z	C:CERAMIC MELF 0.01UF 16V M Y C-140 TAPE	1	\$ 0.12
C371			1	\$ 0.12
C372	BCVP811025Z	C:CERAMIC MELF 0.001U 50V K B C-140 TAPE	1	\$ 0.12
C373	BCVM815092Z	C:CERAMIC MELF 5PF 50V D CH C-140 TAPE	1	\$ 0.13
C374	BCVM811004Z	C:CERAMIC MELF 10PF 50V J CH C-140 TAPE	1	\$ 0.13
C375	BCAX814796Z	CAPACITOR:ELECTROLYTIC 4.7UF 50V M C-124	1	\$ 0.17
C376	BCVQ311036Z	C:CERAMIC MELF 0.01UF 16V M Y C-140 TAPE	1	\$ 0.12
C377	BCVM815092Z	C:CERAMIC MELF 5PF 50V D CH C-140 TAPE	1	\$ 0.13
C378	BCVP811025Z	C:CERAMIC MELF 0.001U 50V K B C-140 TAPE	1	\$ 0.12
C379	BCVL813304Z	C:CERAMIC MELF 33PF 50V J SL C-140 TAPE	1	\$ 0.12
C380	BCAX814796Z	CAPACITOR:ELECTROLYTIC 4.7UF 50V M C-124	1	\$ 0.17
C382	BCXE814725Z	C:CERAMIC M/L (3216) TAPE 0.0047UF 50V K C(B)	1	\$ 0.19
C385	BCAX811096Z	CAPACITOR:ELECTROLYTIC 1UF 50V M C-124	1	\$ 0.17
C386	BCEW811096Z	CAPACITOR:ELECTROLYTIC 1UF 50V M C-105	1	\$ 0.50
C387	BCXE812235Z	C:CERAMIC M/L (3216) TAPE 0.022UF 50V K C(B)	1	\$ 0.26
C388	BCAX812296Z	CAPACITOR:ELECTROLYTIC 2.2UF 50V M C-124	1	\$ 0.17
C391	BCVQ311036Z	C:CERAMIC MELF 0.01UF 16V M Y C-140 TAPE	1	\$ 0.12
C392	BCEW811086Z	CAPACITOR:ELECTROLYTIC 0.1UF 50V M C-105	1	\$ 0.50
C393	BCAX901026Z	CAPACITOR:ELECTROLYTIC 1000UF 6.3V M C-124	1	\$ 0.52
C394	BCAX114716Z	CAPACITOR:ELECTROLYTIC 470UF 10V M C-124	1	\$ 0.34
C395	BCVQ311036Z	C:CERAMIC MELF 0.01UF 16V M Y C-140 TAPE	1	\$ 0.12
C396	BCXP814704Z	C:CERAMIC M/L (3216) TAPE 47PF 50V J UJ	1	\$ 0.15
C397			1	\$ 0.15
C398	BCAX811086Z	CAPACITOR:ELECTROLYTIC 0.1UF 50V M C-124	1	\$ 0.17
C399			1	\$ 0.17
C401	BCXE812235Z	C:CERAMIC M/L (3216) TAPE 0.022UF 50V K C(B)	1	\$ 0.26
C405	BCEW114706Z	CAPACITOR:ELECTROLYTIC 47UF 10V M C-105	1	\$ 0.50
C406	BCXE814735Z	C:CERAMIC M/L (3216) TAPE 0.047UF 50V K C(B)	1	\$ 0.34
C407			1	\$ 0.34
C408	BCVN811804Z	C:CERAMIC MELF 18PF 50V J RH C-140 TAPE	1	\$ 0.13
C409	BCXE812235Z	C:CERAMIC M/L (3216) TAPE 0.022UF 50V K C(B)	1	\$ 0.26
C411	BCXE814735Z	C:CERAMIC M/L (3216) TAPE 0.047UF 50V K C(B)	1	\$ 0.34
C412	BCXE812235Z	C:CERAMIC M/L (3216) TAPE 0.022UF 50V K C(B)	1	\$ 0.26
C444	BCVM811004Z	C:CERAMIC MELF 10PF 50V J CH C-140 TAPE	1	\$ 0.13
C445			1	\$ 0.13
C446	BCXE814735Z	C:CERAMIC M/L (3216) TAPE 0.047UF 50V K C(B)	1	\$ 0.34
C501	BCAX814796Z	CAPACITOR:ELECTROLYTIC 4.7UF 50V M C-124	1	\$ 0.17
C502	BCEW813396Z	CAPACITOR:ELECTROLYTIC 3.3UF 50V M C-105	1	\$ 0.50
C503	BCAX901016Z	CAPACITOR:ELECTROLYTIC 100UF 6.3V M C-124	1	\$ 2.06
C551	BCKG811030Z	CAPACITOR:CERAMIC 0.01UF 50V Z YF(F)	1	\$ 0.07
C552	BCKG811030Z	CAPACITOR:CERAMIC 0.01UF 50V Z YF(F)	1	\$ 0.07

(SYMBOL)	(PARTS CODE)	(DESCRIPTION)	(QTY)	(LIST PRICE)
C801	BCGC512235Z	CAPACITOR:SEMI-CONDUCTOR(SR) 0.022UF 25V K	1	\$ 0.15
D001	BDAY0090001	DIODE MC-301	1	\$ 1.06
D002			1	\$ 1.06
D003	BDAY0497001	DIODE 1SS133 TAPING	1	\$ 0.10
D004			1	\$ 0.10
D005			1	\$ 0.10
D006			1	\$ 0.10
D007	BDAY0492003	DIODE:ZENER AS TS 26 + HZ3B3 TAPING	1	\$ 0.19
D008	BDAY0497001	DIODE 1SS133 TAPING	1	\$ 0.10
D009			1	\$ 0.10
D010			1	\$ 0.10
D011	BDAY0001001	DIODE 1N60 AM	1	\$ 0.33
D012			1	\$ 0.33
D013	BDAY0497001	DIODE 1SS133 TAPING	1	\$ 0.10
D014			1	\$ 0.10
D016	BDAY0001001	DIODE 1N60 AM	1	\$ 0.33
D017			1	\$ 0.33
D018	BDAY0497001	DIODE 1SS133 TAPING	1	\$ 0.10
D019			1	\$ 0.10
D020			1	\$ 0.10
D021			1	\$ 0.10
D022			1	\$ 0.10
D025			1	\$ 0.10
D026			1	\$ 0.10
D027			1	\$ 0.10
D028			1	\$ 0.10
D029			1	\$ 0.10
D030	BDFY0004003	VARISTOR KB-362	1	\$ 1.10
D031	BDAY0497001	DIODE 1SS133 TAPING	1	\$ 0.10
D032			1	\$ 0.10
D033			1	\$ 0.10
D034	BDAY0492002	DIODE:ZENER AS TS 26 + HZ5C1 TAPING	1	\$ 0.19
D035	BDAY0497001	DIODE 1SS133 TAPING	1	\$ 0.10
D036			1	\$ 0.10
D037			1	\$ 0.10
D038			1	\$ 0.10
D039			1	\$ 0.10
D040			1	\$ 0.10
D041			1	\$ 0.10
D042			1	\$ 0.10
D043			1	\$ 0.10
D044			1	\$ 0.10
D045			1	\$ 0.10
D046			1	\$ 0.10

(SYMBOL)	(PARTS CODE)	(DESCRIPTION)	(QTY)	(LIST PRICE)
D047	BDAY0497001	DIODE ISS133 TAPING	1	\$ 0.10
D048			1	\$ 0.10
D049			1	\$ 0.10
D051			1	\$ 0.10
D052			1	\$ 0.10
D053			1	\$ 0.10
D054			1	\$ 0.10
D055			1	\$ 0.10
D056			1	\$ 0.10
D057			1	\$ 0.10
D058			1	\$ 0.10
D059			1	\$ 0.10
D061			1	\$ 0.10
D062			1	\$ 0.10
D063			1	\$ 0.10
D064			1	\$ 0.10
D065			1	\$ 0.10
D066			1	\$ 0.10
D067			1	\$ 0.10
D068			1	\$ 0.10
D069			1	\$ 0.10
D071			1	\$ 0.10
D072			1	\$ 0.10
D073	BDAY0245001	DIODE 1N5401	1	\$ 0.65
D074	BDAY0497001	DIODE ISS133 TAPING	1	\$ 0.10
D075	BDAY0529001	DIODE AX TS 26 + S5566G TAPING	1	\$ 0.21
D076	BDAY0497001	DIODE ISS133 TAPING	1	\$ 0.10
D077	BDFY0058001	VARISTOR MV-1YH-S	1	\$ 1.66
D078			1	\$ 1.66
D201	BDAY0001001	DIODE 1N60 AM	1	\$ 0.33
D202			1	\$ 0.33
D203	BDAY0433001	DIODE RLS4148 TE11	1	\$ 0.21
D301	BDAY0465001	DIODE 1SV200-12 TRC	1	\$ 0.96
D303			1	\$ 0.96
D304			1	\$ 0.96
D305			1	\$ 0.96
D306			1	\$ 0.96
D307			1	\$ 0.96
D308	BDAY0281001	DIODE KV1330	1	\$ 3.77
D311	BDAY0433001	DIODE RLS4148 TE11	1	\$ 0.21
D312	BDAY0529001	DIODE AX TS 26 + S5566G TAPING	1	\$ 0.21
D313			1	\$ 0.21
D315	BDAY0433001	DIODE RLS4148 TE11	1	\$ 0.21
D316	BDAY0529001	DIODE AX TS 26 + S5566G TAPING	1	\$ 0.21

(SYMBOL)	(PARTS CODE)	(DESCRIPTION)	(QTY)	(LIST PRICE)
D318	BDAY0433001	DIODE RLS4148 TE11	1	\$ 0.21
D319			1	\$ 0.21
D321			1	\$ 0.21
D322			1	\$ 0.21
D323			1	\$ 0.21
D324			1	\$ 0.21
D551	BDAY0001001	DIODE 1N60 AM	1	\$ 0.33
D552			1	\$ 0.33
J301	BJKY0276003	JACK JK-276 5267-03A	1	\$ 0.21
J302	BJKY0276004	JACK JK-276 5267-04A	1	\$ 0.24
J303	BJKY0276005	JACK JK-276 5267-05A	1	\$ 0.28
J304	BJKY0276009	JACK JK-276 5267-09A	1	\$ 0.57
J305			1	\$ 0.57
J306	BJKY0276005	JACK JK-276 5267-05A	1	\$ 0.28
J307	BJKY0276003	JACK JK-276 5267-03A	1	\$ 0.21
J308			1	\$ 0.21
J311	BJKY0326001	JACK JK-326	1	\$ 1.29
J312			1	\$ 1.29
J511	BJKY0426001	JACK JK-426 M-RM-L	1	\$ 2.11
J651	BJKY0191001	JACK JK-191 N-79003	1	\$ 4.86
L001	BLBY0623001	COIL LB-623 199CN-15100X	1	\$ 1.12
L002	BLBY0341001	COIL LB-341 199CC-13499A	1	\$ 1.38
L003			1	\$ 1.38
L004			1	\$ 1.38
L005	BLBY0438001	COIL LB-438 199CC-14250N	1	\$ 1.38
L006	BLBY0342001	COIL LB-342 199CC-13524R	1	\$ 1.38
L008	BLBY0137001	COIL LB-137 113CN-6344Z	1	\$ 1.08
L009			1	\$ 1.08
L010	BLBY0209001	COIL LB-209 113CN-6485Z	1	\$ 1.08
L011	BLZY0016471	INDUCTOR:MOLDED LZ-016 SL0609-471K 470UH	1	\$ 0.46
L012			1	\$ 0.46
L013			1	\$ 0.46
L014	BLEY0376001	COIL LE-376 L-3E6-5(R22-E528)	1	\$ 0.50
L015	BLEY0402001	COIL LE-402 L-1E6-S(R22-E720X)	1	\$ 0.50
L016	BLEY0375001	COIL LE-375 D6 7 1/2T	1	\$ 0.50
L017	BLDY0230001	COIL LD-230	1	\$ 3.89
L018			1	\$ 3.89
L019	BLDY0221001	COIL LD-221	1	\$ 1.62
L020	BLDY0087001	COIL LD-087 BF04-3*5*1	1	\$ 0.08
L021	BLDY0229001	COIL LD-229	1	\$ 3.07
L022	BLDY0228001	COIL LD-228 AT0502T-3012	1	\$ 0.70
L023	BLDY0087001	COIL LD-087 BF04-3*5*1	1	\$ 0.08
L024	BLEY0201001	COIL LE-201 D2.4 3 1/2T	1	\$ 0.17
L025	BLBY0342001	COIL LB-342 199CC-13524R	1	\$ 1.38

(SYMBOL)	(PARTS CODE)	(DESCRIPTION)	(QTY)	(LIST PRICE)
L026	BLZY0051101	INDUCTOR:MOLDED LZ-051 SP0305-101K 100UH	1	\$ 0.34
L203	BLFY0125001	COIL LF-125 332PC-2673Y	1	\$ 2.51
L301	BLEY0246001	COIL LE-246 D0.6 3 1/2T	1	\$ 0.15
L302	BLBY0684001	COIL LB-684 L-2M7-T1(R12H807X)	1	\$ 1.13
L303	BLFY0131001	COIL LF-131 A294SN-1373AQ	1	\$ 1.87
L304			1	\$ 1.87
L307	BLZY0051479	INDUCTOR:MOLDED LZ-051 SP0305-4R7K 4.7UH	1	\$ 0.34
L308	BLZY0051100	INDUCTOR:MOLDED LZ-051 SP0305-100K 10UH	1	\$ 0.34
L310	BLFY0159001	COIL LF-159 341LC-1286N	1	\$ 2.51
L312	BLZY0051279	INDUCTOR:MOLDED LZ-051 SP0305-2R7M 2.7UH	1	\$ 0.34
L313	BLFY0130001	COIL LF-130 A294SN-1372AQ	1	\$ 1.87
L314	BLFY0131001	COIL LF-131 A294SN-1373AQ	1	\$ 1.87
L315	BLFY0172001	COIL LF-172 A294SN-15291B	1	\$ 1.87
L316	BLZY0044682	INDUCTOR:MOLDED LZ-044 262LY-682K 6.8MH	1	\$ 0.93
L317	BLBY0686001	COIL LB-686 L-2M7-T1(R12H806X)	1	\$ 1.13
L318	BLFY0133001	COIL LF-133 A294SNS-14411B	1	\$ 1.87
L319	BLFY0158001	COIL LF-158 341LC-1282FQZ	1	\$ 2.51
L401	BLFY0072001	COIL LF-072 5PLC-1055Z	1	\$ 2.09
L651	BLZY0051471	INDUCTOR:MOLDED LZ-051 SP0305-471K 470UH	1	\$ 0.34
L652			1	\$ 0.34
L653			1	\$ 0.34
Q001	BDBC1674111	TRANSISTOR DB-295 2SC1674-L	1	\$ 0.21
Q002	BDCB0192533	FIELD EFFECT TRANSISTOR DC-019 2SK192A-BL	1	\$ 0.64
Q003	BDBC1674111	TRANSISTOR DB-295 2SC1674-L	1	\$ 0.21
Q004	BDBC0945507	TRANSISTOR DB-224 2SC945A-Q	1	\$ 0.17
Q005	BDBC1675111	TRANSISTOR DB-259 2SC1675-L	1	\$ 0.19
Q006			1	\$ 0.19
Q007	BDBC1730111	TRANSISTOR DB-269 2SC1730-L	1	\$ 0.49
Q008	BDBC0945507	TRANSISTOR DB-224 2SC945A-Q	1	\$ 0.17
Q009			1	\$ 0.17
Q010			1	\$ 0.17
Q011			1	\$ 0.17
Q012	BDBC1675111	TRANSISTOR DB-259 2SC1675-L	1	\$ 0.19
Q013	BDBC0945507	TRANSISTOR DB-224 2SC945A-Q	1	\$ 0.17
Q014			1	\$ 0.17
Q015			1	\$ 0.17
Q016			1	\$ 0.17
Q017	BDBA0733541	TRANSISTOR DB-027 2SA733A-PB	1	\$ 0.19
Q018	BDBC0945507	TRANSISTOR DB-224 2SC945A-Q	1	\$ 0.17
Q019			1	\$ 0.17
Q020	BDBA0733541	TRANSISTOR DB-027 2SA733A-PB	1	\$ 0.19
Q021	BDBC0945507	TRANSISTOR DB-224 2SC945A-Q	1	\$ 0.17
Q022	BDBC1675111	TRANSISTOR DB-259 2SC1675-L	1	\$ 0.19
Q023	BDBC0945507	TRANSISTOR DB-224 2SC945A-Q	1	\$ 0.17

(SYMBOL)	(PARTS CODE)	(DESCRIPTION)	(QTY)	(LIST PRICE)
Q024	BDBA0733541	TRANSISTOR DB-027 2SA733A-PB	1	\$ 0.19
Q025			1	\$ 0.19
Q026	BDBC0945507	TRANSISTOR DB-224 2SC945A-Q	1	\$ 0.17
Q027	BDBB0525104	TRANSISTOR DB-106 2SB525-D UNI	1	\$ 0.71
Q028	BDBC3242536	TRANSISTOR DB-383 2SC3242A-E	1	\$ 0.81
Q029	BDBC0945507	TRANSISTOR DB-224 2SC945A-Q	1	\$ 0.17
Q030			1	\$ 0.17
Q031	BDBC2086104	TRANSISTOR DB-228 2SC2086-D	1	\$ 2.19
Q032	BDBZ0529001	TRANSISTOR DB-529 MRF-477	1	\$ 52.64
Q033	BDBC2166103	TRANSISTOR DB-331 2SC2166-C	1	\$ 5.02
Q034	BDBC1973315	TRANSISTOR DB-272 2SC1973-SSB	1	\$ 3.25
Q201	BDBC2814641	TRANSISTOR DB-744 2SC2814-F5 TA	1	\$ 0.40
Q202			1	\$ 0.40
Q203			1	\$ 0.40
Q204	BDBC2812642	TRANSISTOR DB-743 2SC2812-L5 TA	1	\$ 0.32
Q205			1	\$ 0.32
Q206	BDBA1179643	TRANSISTOR DB-048 2SA1179-M6 TA	1	\$ 0.36
Q207	BDBC2814641	TRANSISTOR DB-744 2SC2814-F5 TA	1	\$ 0.40
Q301	BDBC3121000	TRANSISTOR DB-724 2SC3121 TE85L	1	\$ 0.74
Q302			1	\$ 0.74
Q303			1	\$ 0.74
Q304			1	\$ 0.74
Q305			1	\$ 0.74
Q306			1	\$ 0.74
Q308	BDBC2814641	TRANSISTOR DB-744 2SC2814-F5 TA	1	\$ 0.40
Q311	BDBA1179643	TRANSISTOR DB-048 2SA1179-M6 TA	1	\$ 0.36
Q312			1	\$ 0.36
Q313			1	\$ 0.36
Q314			1	\$ 0.36
Q315	BDBC2712124	TRANSISTOR DB-381 2SC2712-Y TE85L	1	\$ 0.26
Q316	BDBA1179643	TRANSISTOR DB-048 2SA1179-M6 TA	1	\$ 0.36
Q317	BDBC2712124	TRANSISTOR DB-381 2SC2712-Y TE85L	1	\$ 0.26
R001	BRPB185624Z	RESISTOR:CARBON AXIAL LEAD 5.6K 1/8W J	1	\$ 0.50
R002	BRPA618224Z	RESISTOR:CARBON AX TS 26 8.2K 1/6W J TAPING	1	\$ 0.04
R003	BRPA611024Z	RESISTOR:CARBON AX TS 26 1K 1/6W J TAPING	1	\$ 0.04
R004	BRPA611524Z	RESISTOR:CARBON AX TS 26 1.5K 1/6W J TAPING	1	\$ 0.04
R006	BRPA611014Z	RESISTOR:CARBON AX TS 26 100 1/6W J TAPING	1	\$ 0.04
R007	BRPB184724Z	RESISTOR:CARBON AXIAL LEAD 4.7K 1/8W J	1	\$ 0.50
R008	BRPA611014Z	RESISTOR:CARBON AX TS 26 100 1/6W J TAPING	1	\$ 0.04
R009	BRPA613324Z	RESISTOR:CARBON AX TS 26 3.3K 1/6W J TAPING	1	\$ 0.04
R010	BRPA613314Z	RESISTOR:CARBON AX TS 26 330 1/6W J TAPING	1	\$ 0.04
R011	BRPA611034Z	RESISTOR:CARBON AX TS 26 10K 1/6W J TAPING	1	\$ 0.04
R012	BRPA618214Z	RESISTOR:CARBON AX TS 26 820 1/6W J TAPING	1	\$ 0.04
R013	BRPA616814Z	RESISTOR:CARBON AX TS 26 680 1/6W J TAPING	1	\$ 0.04

(SYMBOL)	(PARTS CODE)	(DESCRIPTION)	(QTY)	(LIST PRICE)
R014	BRPA618224Z	RESISTOR:CARBON AX TS 26 8.2K 1/6W J TAPING	1	\$ 0.04
R015	BRPA612234Z	RESISTOR:CARBON AX TS 26 22K 1/6W J TAPING	1	\$ 0.04
R018	BRPA615624Z	RESISTOR:CARBON AX TS 26 5.6K 1/6W J TAPING	1	\$ 0.04
R019	BRPA611024Z	RESISTOR:CARBON AX TS 26 1K 1/6W J TAPING	1	\$ 0.04
R020	BRPA615624Z	RESISTOR:CARBON AX TS 26 5.6K 1/6W J TAPING	1	\$ 0.04
R021	BRPA615614Z	RESISTOR:CARBON AX TS 26 560 1/6W J TAPING	1	\$ 0.04
R022	BRPA611024Z	RESISTOR:CARBON AX TS 26 1K 1/6W J TAPING	1	\$ 0.04
R023	BRPA616814Z	RESISTOR:CARBON AX TS 26 680 1/6W J TAPING	1	\$ 0.04
R024	BRPA611024Z	RESISTOR:CARBON AX TS 26 1K 1/6W J TAPING	1	\$ 0.04
R025	BRPA611014Z	RESISTOR:CARBON AX TS 26 100 1/6W J TAPING	1	\$ 0.04
R026	BRPA614734Z	RESISTOR:CARBON AX TS 26 47K 1/6W J TAPING	1	\$ 0.04
R027	BRPA611014Z	RESISTOR:CARBON AX TS 26 100 1/6W J TAPING	1	\$ 0.04
R028	BRPA612714Z	RESISTOR:CARBON AX TS 26 270 1/6W J TAPING	1	\$ 0.04
R029	BRPA611514Z	RESISTOR:CARBON AX TS 26 150 1/6W J TAPING	1	\$ 0.04
R030	BRPA611034Z	RESISTOR:CARBON AX TS 26 10K 1/6W J TAPING	1	\$ 0.04
R031	BRPA616804Z	RESISTOR:CARBON AX TS 26 68 1/6W J TAPING	1	\$ 0.04
R032	BRPA612224Z	RESISTOR:CARBON AX TS 26 2.2K 1/6W J TAPING	1	\$ 0.04
R033	BRPA613324Z	RESISTOR:CARBON AX TS 26 3.3K 1/6W J TAPING	1	\$ 0.04
R034	BRPA611524Z	RESISTOR:CARBON AX TS 26 1.5K 1/6W J TAPING	1	\$ 0.04
R035	BRPA611044Z	RESISTOR:CARBON AX TS 26 100K 1/6W J TAPING	1	\$ 0.04
R036			1	\$ 0.04
R037			1	\$ 0.04
R038			1	\$ 0.04
R040	BRPA614734Z	RESISTOR:CARBON AX TS 26 47K 1/6W J TAPING	1	\$ 0.04
R041	BRPA611544Z	RESISTOR:CARBON AX TS 26 150K 1/6W J TAPING	1	\$ 0.04
R042	BRPA615644Z	RESISTOR:CARBON AX TS 26 560K 1/6W J TAPING	1	\$ 0.04
R043	BRPA611044Z	RESISTOR:CARBON AX TS 26 100K 1/6W J TAPING	1	\$ 0.04
R044	BRPA612234Z	RESISTOR:CARBON AX TS 26 22K 1/6W J TAPING	1	\$ 0.04
R045	BRPA611034Z	RESISTOR:CARBON AX TS 26 10K 1/6W J TAPING	1	\$ 0.04
R046	BRPB182234Z	RESISTOR:CARBON AXIAL LEAD 22K 1/8W J	1	\$ 0.50
R047	BRPA612254Z	RESISTOR:CARBON AX TS 26 2.2M 1/6W J TAPING	1	\$ 0.04
R048	BRPA611044Z	RESISTOR:CARBON AX TS 26 100K 1/6W J TAPING	1	\$ 0.04
R049	BRPA611024Z	RESISTOR:CARBON AX TS 26 1K 1/6W J TAPING	1	\$ 0.04
R050	BRPB183944Z	RESISTOR:CARBON AXIAL LEAD 390K 1/8W J	1	\$ 0.50
R051	BRPA611524Z	RESISTOR:CARBON AX TS 26 1.5K 1/6W J TAPING	1	\$ 0.04
R052	BRPA611034Z	RESISTOR:CARBON AX TS 26 10K 1/6W J TAPING	1	\$ 0.04
R053			1	\$ 0.04
R054	BRPA611044Z	RESISTOR:CARBON AX TS 26 100K 1/6W J TAPING	1	\$ 0.04
R055			1	\$ 0.04
R056	BRPA616834Z	RESISTOR:CARBON AX TS 26 68K 1/6W J TAPING	1	\$ 0.04
R057	BRPA611054Z	RESISTOR:CARBON AX TS 26 1M 1/6W J TAPING	1	\$ 0.04
R058	BRPA616834Z	RESISTOR:CARBON AX TS 26 68K 1/6W J TAPING	1	\$ 0.04
R059	BRPA613344Z	RESISTOR:CARBON AX TS 26 330K 1/6W J TAPING	1	\$ 0.04
R060	BRPA615614Z	RESISTOR:CARBON AX TS 26 560 1/6W J TAPING	1	\$ 0.04