

Fig. 1

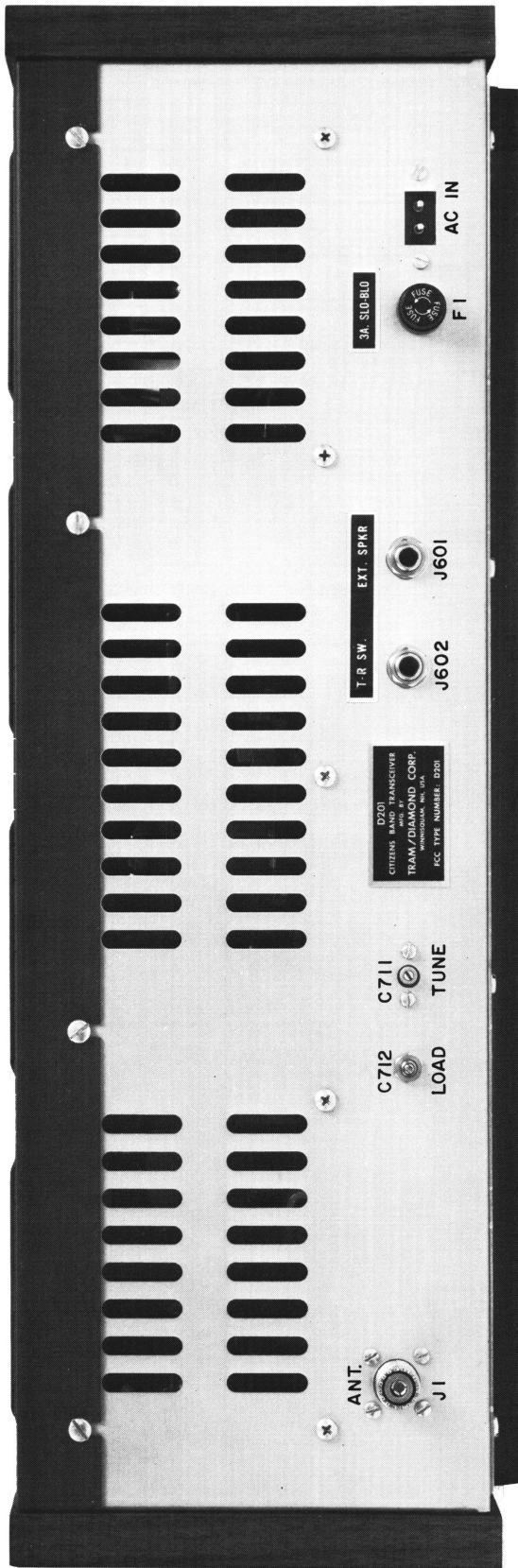
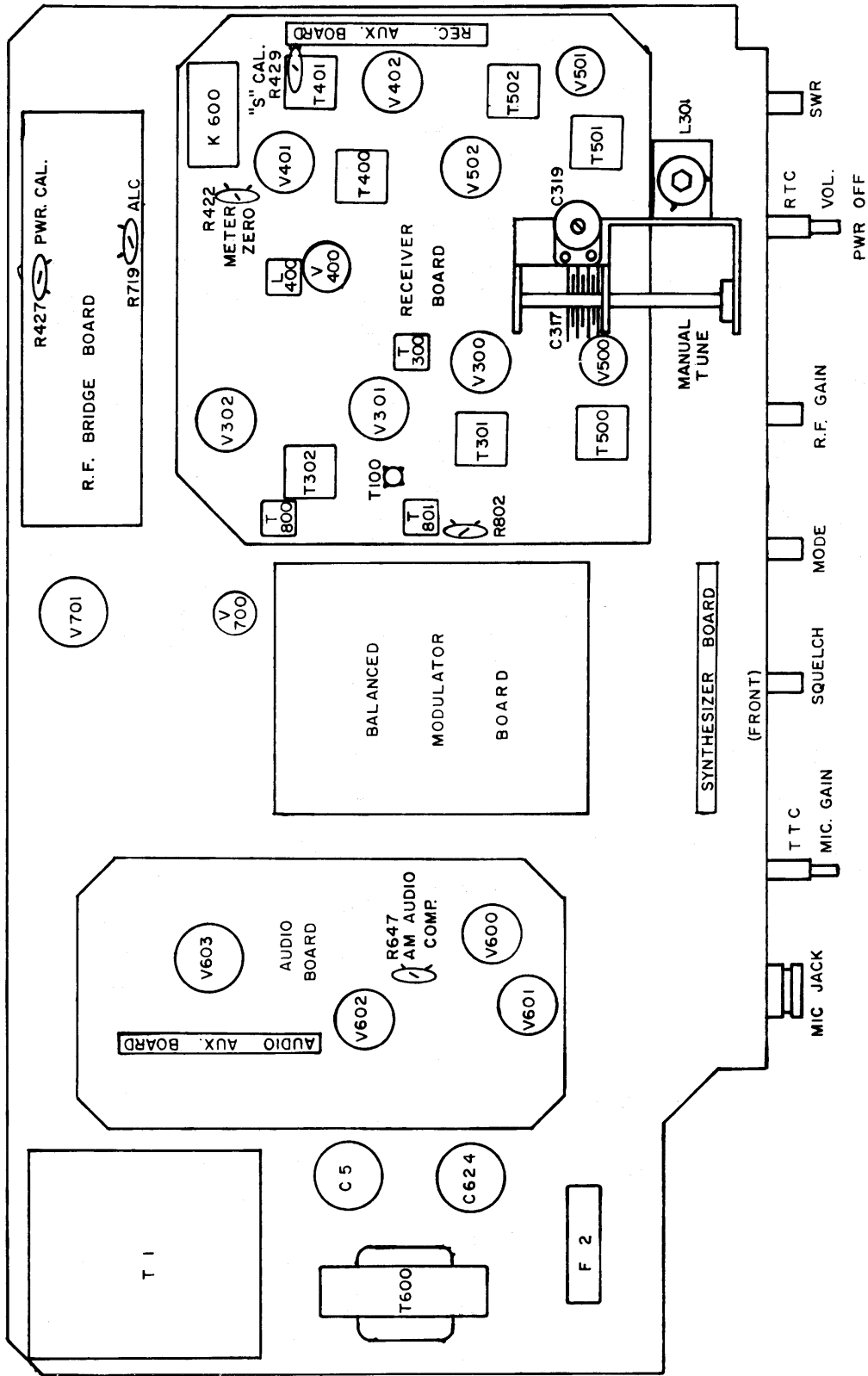
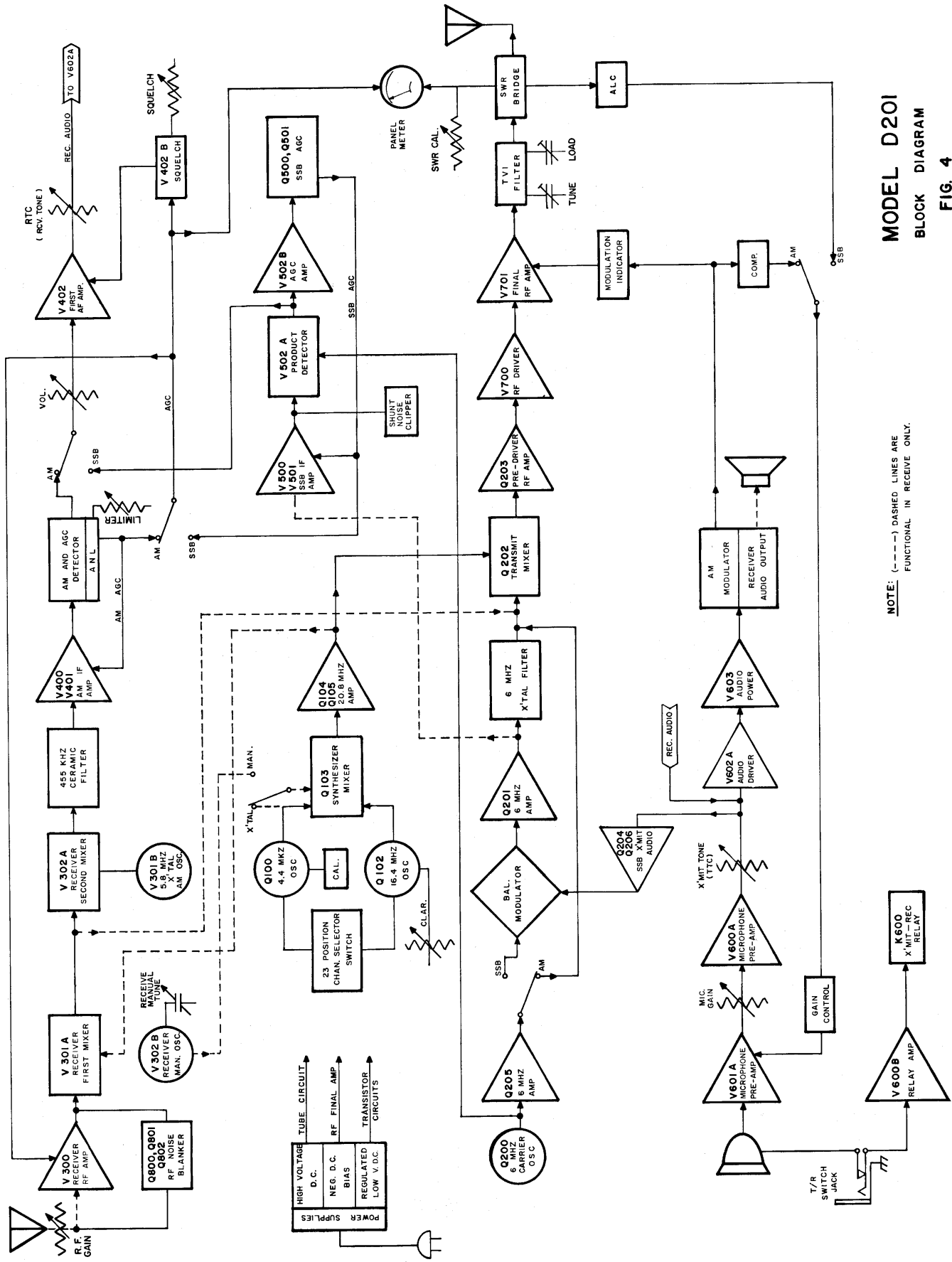


Fig. 2

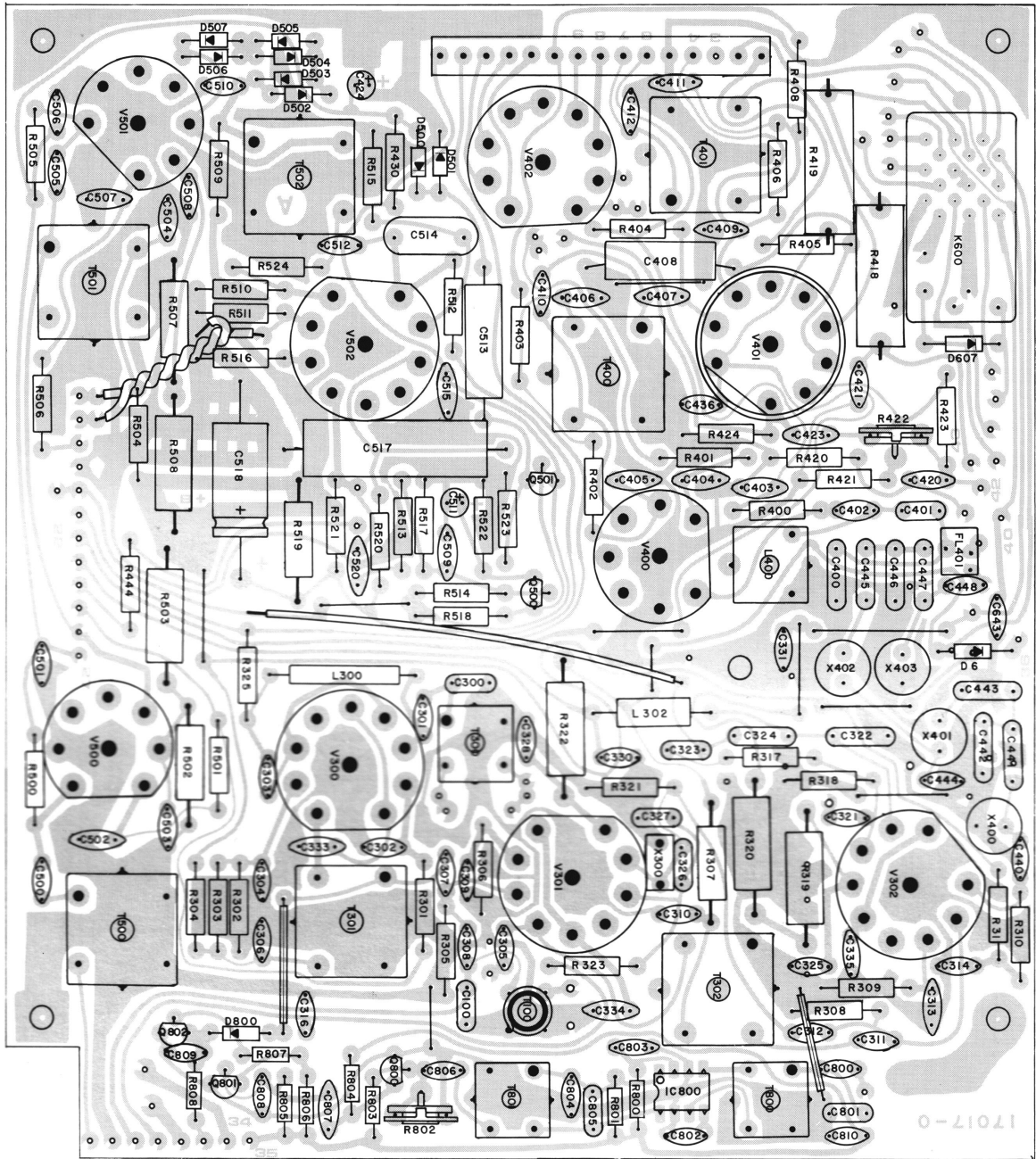


D201 TOP CHASSIS VIEW
Fig. 3



MODEL D201
BLOCK DIAGRAM
FIG. 4

NOTE: (---) DASHED LINES ARE
 FUNCTIONAL IN RECEIVE ONLY.



RECEIVER BOARD PCB A

Fig. 6