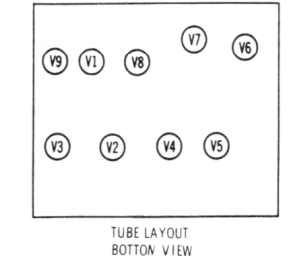
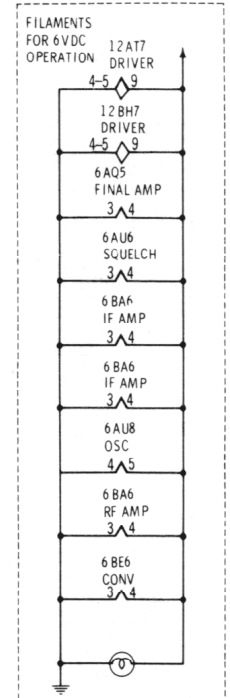
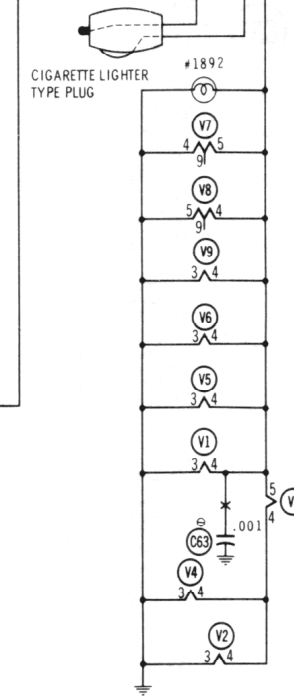
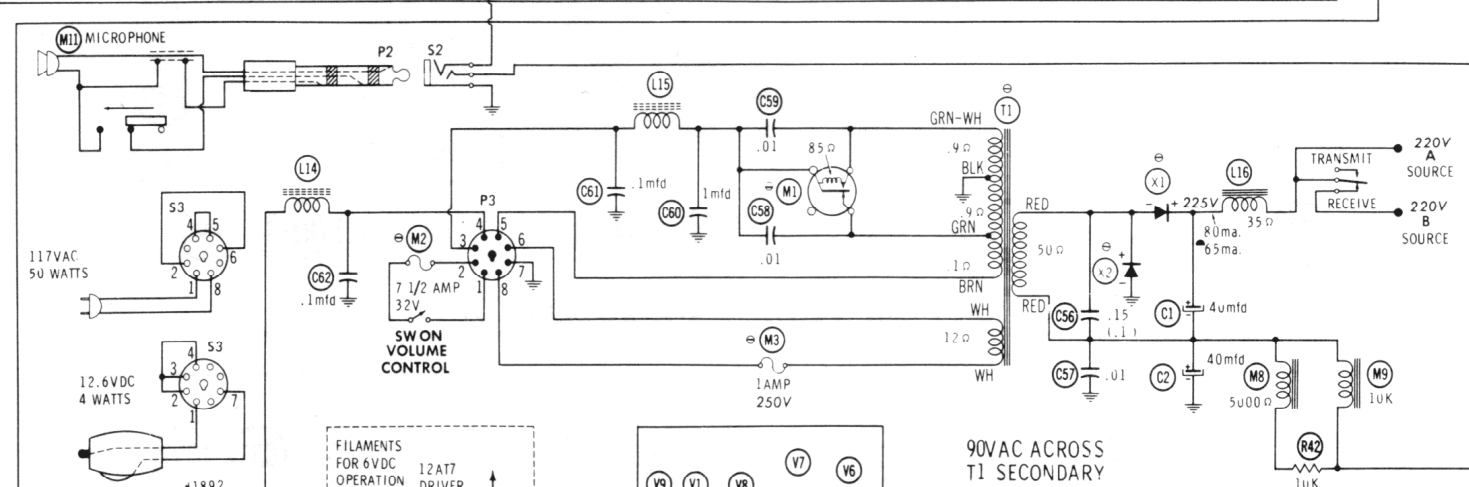


NUMBERS ASSIGNED TO COILS, SWITCHES, PLUGS, SOCKETS, AND TRANSFORMERS ARE TO FACILITATE CIRCUIT TRACING OR COMPONENT REPLACEMENT AND MAY NOT NECESSARILY BE FOUND ON THE UNIT.

- SEE PARTS LIST FOR ALTERNATE VALUE OR APPLICATION
- DC COIL RESISTANCE VALUES UNDER ONE OHM NOT SHOWN ON SCHEMATIC DIAGRAM
- DC voltage measurements taken with vacuum tube voltmeter; AC voltages measured with 1000 ohm per volt voltmeter.
  - Socket connections are shown as bottom views.
  - Measured values are from socket pin to common ground.
  - Line voltage maintained at 117 volts for voltage readings.
  - Nominal tolerance on component values makes possible a variation of -15% in voltage and resistance readings.
  - Volume control at maximum, no signal applied for voltage measurements.

A PHOTOFAC STANDARD NOTATION SCHEMATIC  
© Howard W. Sams & Co., Inc. 1962



RESISTANCE READINGS

ITEM	TUBE	Pin 1	Pin 2	Pin 3	Pin 4	Pin 5	Pin 6	Pin 7	Pin 8	Pin 9
V1	12BA6	800K	0Ω	FIL	FIL	+2200Ω	+100K	0Ω		
V2	6BE6	27K	1000Ω	FIL	FIL	+1000Ω	+47K	850K		
V3	6AU8A	1Ω	100K	+4700Ω	FIL	FIL	.1Ω	100K	+56K	+1000Ω
V4	6BA6	800K	0Ω	FIL	FIL	+1000Ω	+47K	100Ω		
V5	12BA6	7Ω	0Ω	FIL	FIL	+40Ω	+47K	62Ω		
V6	12AU6	200K	0Ω	FIL	FIL	400K	1200Ω	0Ω		
V7	12AT7	+520K	2.4meg	13K	FIL	FIL	+535Ω	470K	220Ω	FIL
V8	12BH7	+345Ω	130Ω	220Ω	FIL	FIL	+325Ω	110Ω	220Ω	FIL
V9	12AQ5	27K	.0Ω	FIL	FIL	+935Ω	+47K	27K		

ALL MEASUREMENTS MADE IN "RECEIVE" POSITION UNLESS OTHERWISE DESIGNATED.  
 \* MEASURED IN "TRANSMIT" POSITION.  
 † MEASURED FROM OUTPUT OF X1.

SONAR MODEL E