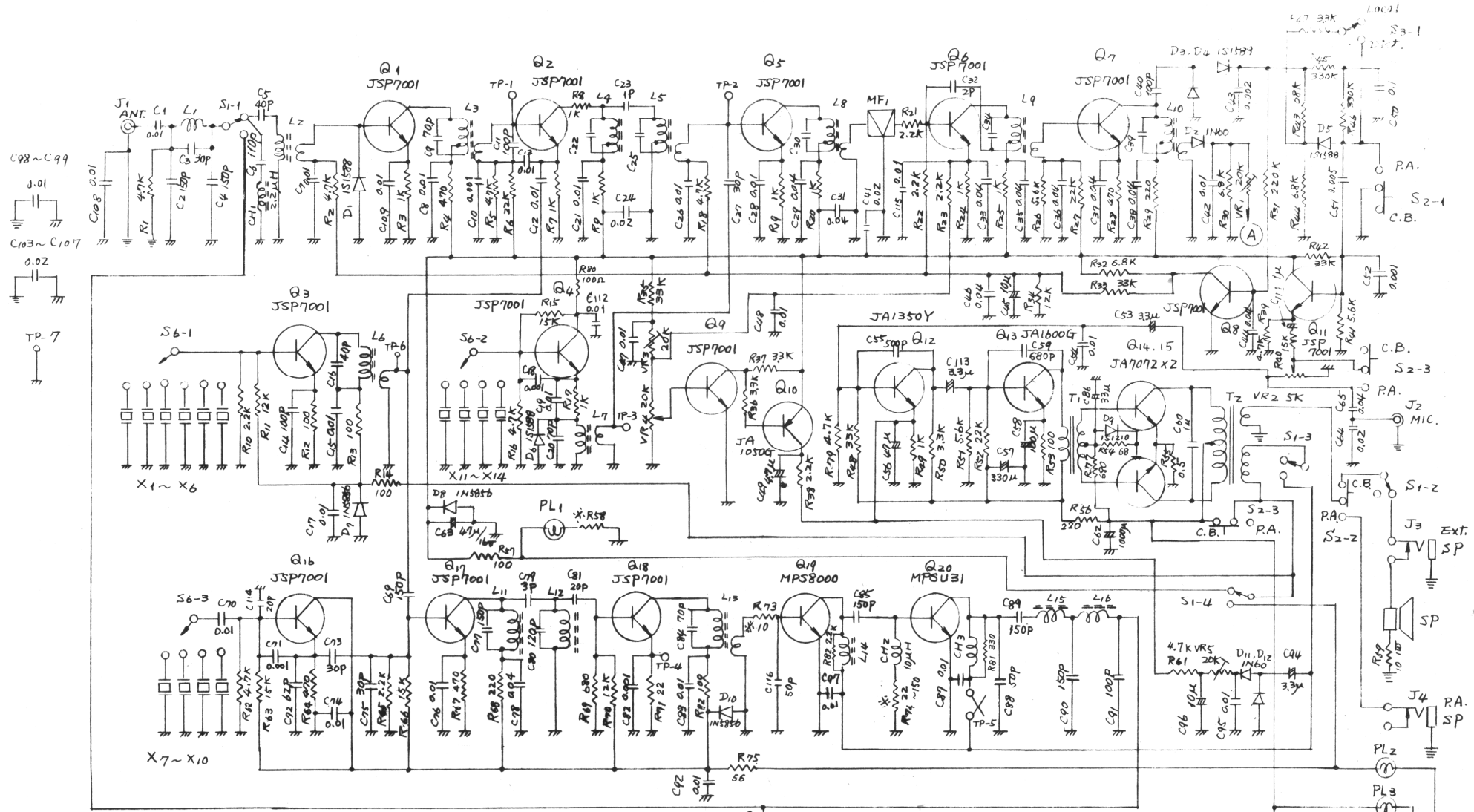


SCHEMATIC DIAGRAM



: Grounded to NEGATIVE line
 : Grounded to chassis

