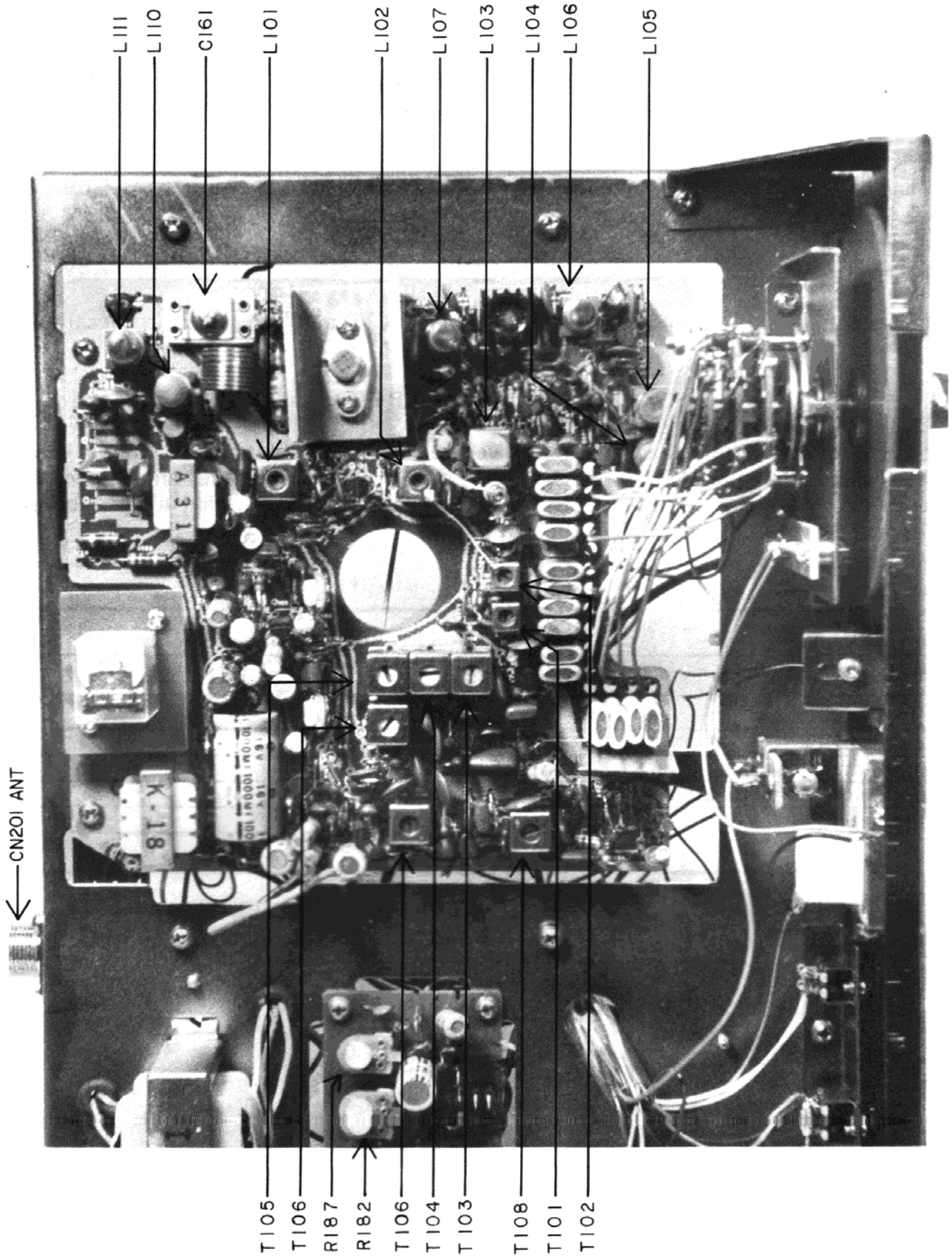


FIG. 5-15 ALIGNMENT LAYOUT
B BOARD



**TABLE 5-16 RECEIVER INJECTION VOLTAGES
B BOARD**

All injection voltages are at 30% – 1 KHz modulation at the specified frequency fed through a .01 MFD capacitor, and should produce at least 2 VAC audio output measured across the speaker or across an 8Ω load connected at EXT SP J102. Typical audio output voltages are given.

| INJECTION POINT | INJECTION LEVEL | FREQUENCY | AUDIO OUTPUT |
|-----------------------|-----------------|---------------|--------------|
| ANT JACK J1 | 1μV | Channel Freq. | 6.0V |
| Q101 Collector – TP1* | 30μV | Channel Freq. | 5.0V |
| Q103 Base – TP2 | 30μV | 455 KHz | 2.2V |
| Q104 Base – TP3 | 100μV | 455 KHz | 5.2V |
| Q105 Base – TP4 | 3000μV | 455 KHz | 2.8V |

*TP numbers correspond to numbers in boxes on schematic diagram and component location drawing.

TABLE 5-17 SBE-11CB B BOARD

The following Troubleshooting Chart lists transceiver troubles and possible causes. This list is not meant to exhaust all possibilities, nor are they necessarily the most probable cause; they are the ones that stand out in repair people's minds often because they are not obvious. Also, check the back pocket of this manual for later Service Bulletins.

TROUBLESHOOTING CHART (B)

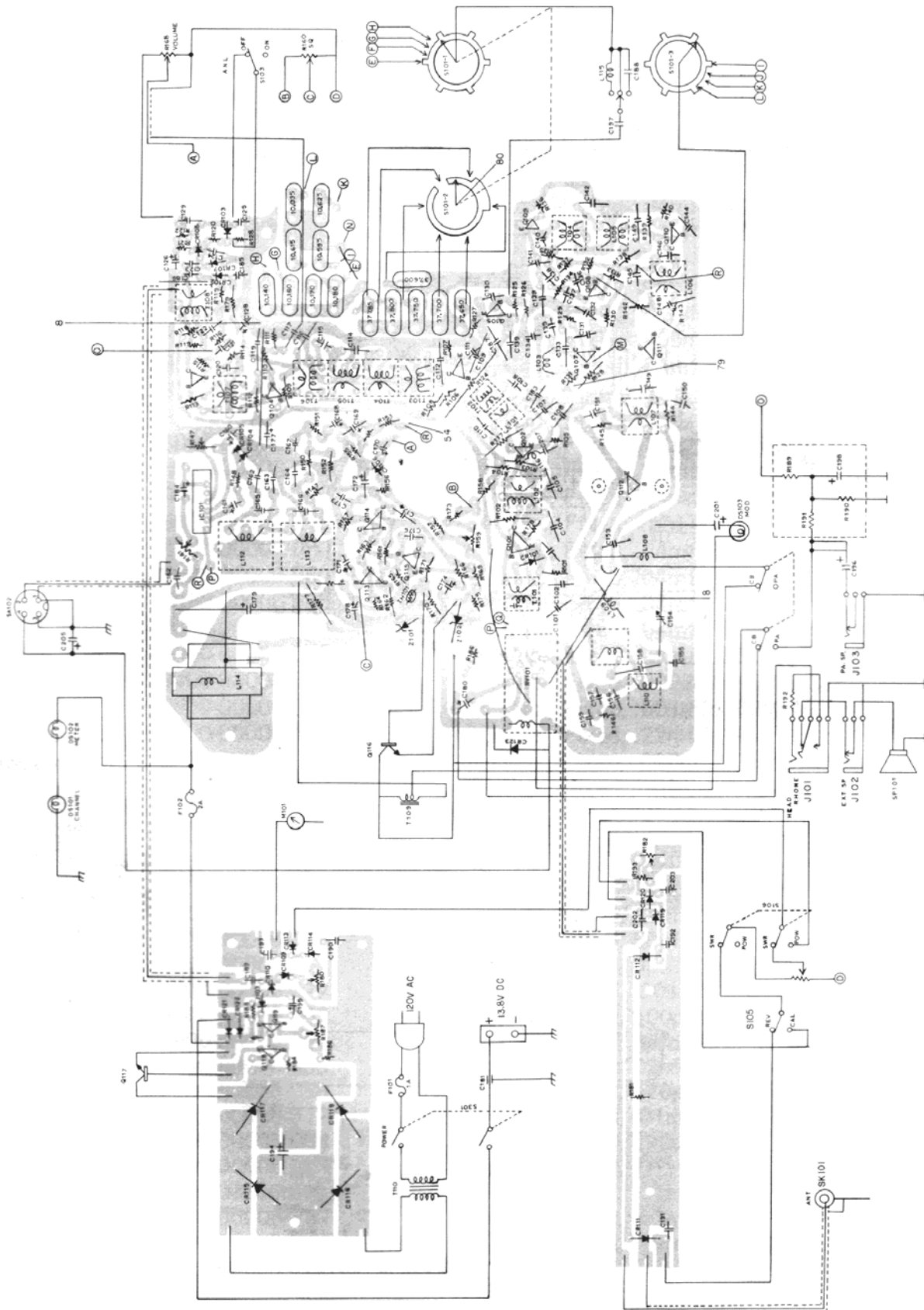
| TROUBLES | REMEDY | |
|-----------------------------|---------------------|---------|
| | CHECK | REPLACE |
| No B+ or regulation | Q202, Q203 | C209 |
| Poor sensitivity | C117, C109 | |
| Overload on strong signal | C127 | |
| Transmission, no modulation | C155 | |
| Delta tune | C110, C133 and C134 | |
| Bad audio response | C131, VR205 wiper | |

**TABLE 5-18 AGC versus RF INPUT LEVEL
B BOARD**

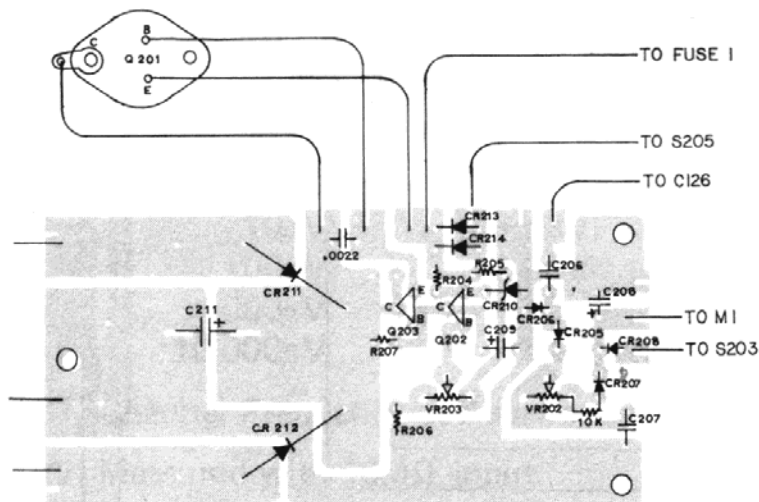
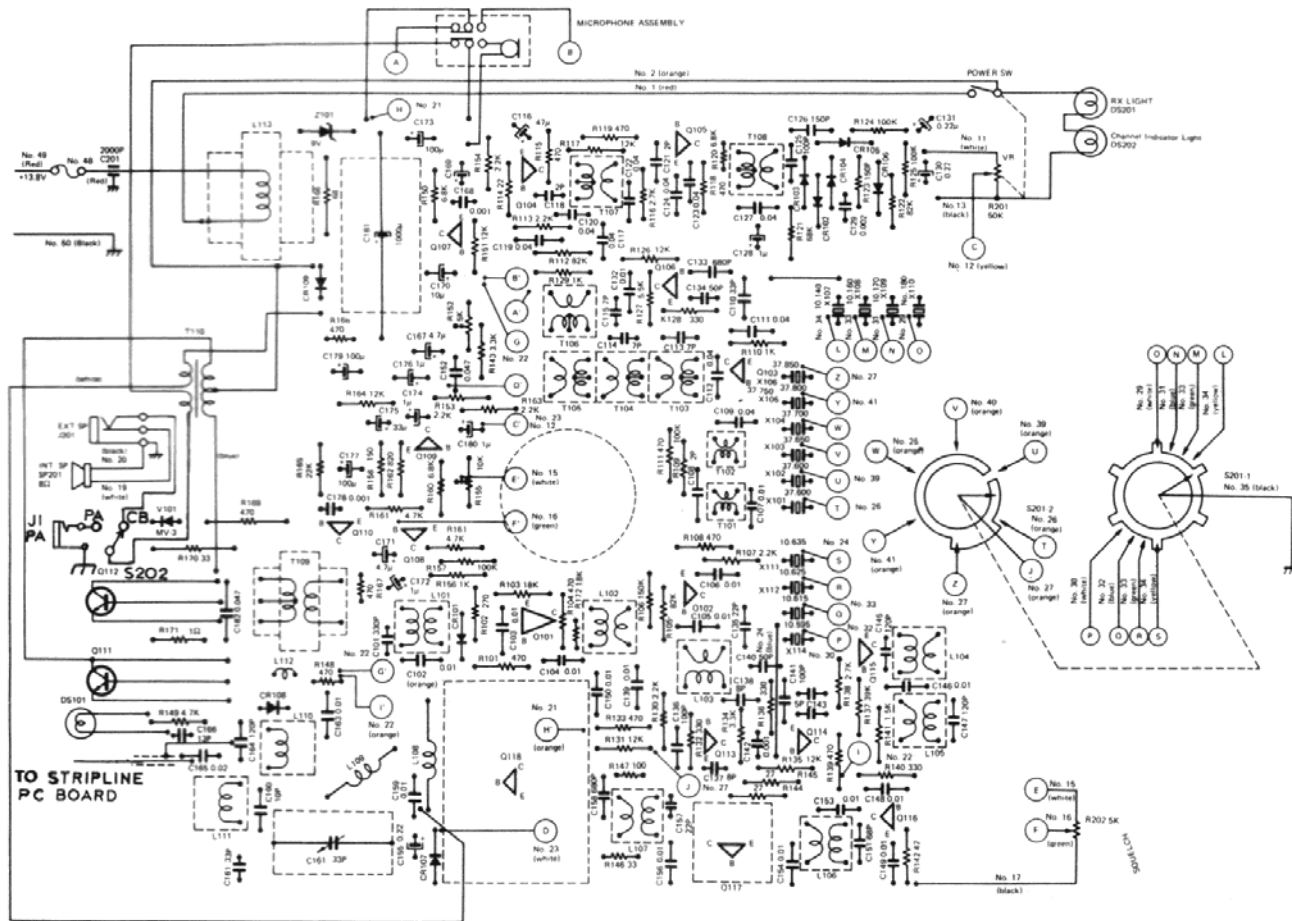
| INPUT LEVEL (1) | AGC VOLTAGES (2) |
|-----------------|------------------|
| OPEN ANT JACK | +2.6V |
| 1μV | +2.2V |
| 10μV | +1.8V |
| 100μV | +1.6V |
| 1000μV | +1.5V |
| 10,000μV | +1.3V |

(1) Channel Frequency at Antenna Jack.
(2) Measured with 10MΩ input.

**FIG. 5-19 COMPONENT LOCATION
A BOARD**



**FIG. 5-20 COMPONENT LOCATION
B BOARD**



SBE-11CB TRINIDAD PARTS LIST

A BOARD

| <u>SYMBOL #</u> | <u>PART #</u> | <u>DESCRIPTION</u> |
|-----------------|----------------|----------------------------------|
| C101 | 8000-00006-061 | Cap., Fixed, 330pfd, 50V, Mica |
| C102 | 8000-00006-079 | Cap., Fixed, .01mfd, 50V, Cer. |
| C103 | 8000-00006-079 | Cap., Fixed, .01mfd, 50V, Cer. |
| C104 | 8000-00006-079 | Cap., Fixed, .01mfd, 50V, Cer. |
| C105 | 8000-00006-079 | Cap., Fixed, .01mfd, 50V, Cer. |
| C106 | 8000-00006-080 | Cap., Fixed, .04mfd, 50V, Cer. |
| C107 | 8000-00006-080 | Cap., Fixed, .04mfd, 50V, Cer. |
| C108 | 8000-00006-060 | Cap., Fixed, 220pfd, 50V, Mica |
| C109 | 8000-00006-054 | Cap., Fixed, 33pfd, 50V, Mica |
| C110 | 8000-00006-079 | Cap., Fixed, .01mfd, 50V, Cer. |
| C111 | 8000-00006-076 | Cap., Fixed, .005mfd, 50V, Cer. |
| C112 | 8000-00006-080 | Cap., Fixed, .04mfd, 50V, Cer. |
| C113 | 8000-00006-051 | Cap., Fixed, 8pfd, 50V, Mica |
| C114 | 8000-00006-051 | Cap., Fixed, 8pfd, 50V, Mica |
| C115 | 8000-00006-051 | Cap., Fixed, 8pfd, 50V, Mica |
| C116 | 8000-00006-080 | Cap., Fixed, .04mfd, 50V, Cer. |
| C117 | 8000-00006-080 | Cap., Fixed, .04mfd, 50V, Cer. |
| C118 | 8000-00006-049 | Cap., Fixed, 2pfd, 50V, Mica |
| C119 | 8000-00006-080 | Cap., Fixed, .04mfd, 50V, Cer. |
| C120 | 8000-00006-080 | Cap., Fixed, .04mfd, 50V, Cer. |
| C121 | 8000-00006-080 | Cap., Fixed, .04mfd, 50V, Cer. |
| C122 | 8000-00006-080 | Cap., Fixed, .04mfd, 50V, Cer. |
| C123 | 8000-00006-059 | Cap., Fixed, 150pfd, 50V, Mica |
| C124 | 8000-00006-078 | Cap., Fixed, .0022mfd, 50V, Cer. |
| C125 | 8000-00006-068 | Cap., Fixed, .001mfd, 52V, Mylar |
| C126 | 8000-00006-169 | Cap., Fixed, .22mfd, 25V, Elect. |
| C127 | 8000-00006-073 | Cap., Fixed, .068mfd, 25V, Mylar |
| C128 | 8000-00006-063 | Cap., Fixed, 1mfd, 16V, Elect. |
| C129 | 8000-00006-080 | Cap., Fixed, .04mfd, 50V, Cer. |
| C130 | 8000-00006-075 | Cap., Fixed, 680pfd, 50V, Cer. |
| C131 | 8000-00006-053 | Cap., Fixed, 22pfd, 50V, Mica |
| C132 | 8000-00006-060 | Cap., Fixed, 220pfd, 50V, Mica |
| C133 | 8000-00006-079 | Cap., Fixed, .01mfd, 50V, Cer. |
| C134 | 8000-00006-062 | Cap., Fixed, 50pfd, 50V, Mica |
| C135 | 8000-00006-051 | Cap., Fixed, 0pfd, 50V, Mica |
| C136 | 8000-00006-077 | Cap., Fixed, .001mfd, 50V, Cer. |
| C137 | 8000-00006-057 | Cap., Fixed, 100pfd, 50V, Mica |
| C138 | 8000-00006-050 | Cap., Fixed, 5pfd, 50V, Mica |
| C139 | 8000-00006-053 | Cap., Fixed, 22pfd, 50V, Mica |
| C140 | 8000-00006-058 | Cap., Fixed, 120pfd, 50V, Mica |
| C141 | 8000-00006-079 | Cap., Fixed, .01mfd, 50V, Cer. |
| C142 | 8000-00006-058 | Cap., Fixed, 120pfd, 50V, Mica |
| C143 | 8000-00006-079 | Cap., Fixed, .01mfd, 50V, Cer. |
| C144 | 8000-00006-079 | Cap., Fixed, .01mfd, 50V, Cer. |
| C145 | 8000-00006-079 | Cap., Fixed, .01mfd, 50V, Cer. |
| C146 | 8000-00006-059 | Cap., Fixed, 150pfd, 50V, Mica |
| C147 | 8000-00006-049 | Cap., Fixed, 2pfd, 50V, Mica |
| C148 | 8000-00006-079 | Cap., Fixed, .01mfd, 50V, Cer. |

| <u>SYMBOL #</u> | <u>PART #</u> | <u>DESCRIPTION</u> |
|-----------------|----------------|-----------------------------------|
| C149 | 8000-00006-056 | Cap., Fixed, 82pfd, 50V, Mica |
| C150 | 8000-00006-079 | Cap., Fixed, .01mfd, 50V, Mica |
| C151 | 8000-00006-075 | Cap., Fixed, 680pfd, 50V, Cer. |
| C153 | 8000-00006-079 | Cap., Fixed, .01mfd, 50V, Mica |
| C154 | 8000-00006-082 | Cap., Fixed, 150pfd, Trimmer |
| C155 | 8000-00006-054 | Cap., Fixed, 33pfd, 50V, Mica |
| C156 | 8000-00006-058 | Cap., Fixed, 120pfd, 50V, Mica |
| C157 | 8000-00006-079 | Cap., Fixed, .01mfd, 50V, Cer. |
| C158 | 8000-00006-052 | Cap., Fixed, 10pfd, 50V, Mica |
| C160 | 8000-00006-064 | Cap., Fixed, 4.7mfd, 16V, Elect. |
| C161 | 8000-00006-065 | Cap., Fixed, 10mfd, 10V, Elect. |
| C162 | 8000-00006-066 | Cap., Fixed, .0047mfd, 25V, Mylar |
| C163 | 8000-00006-074 | Cap., Fixed, .1mfd, 25V, Mylar |
| C164 | 8000-00006-166 | Cap., Fixed, .0047mfd, 25V, Mylar |
| C165 | 8000-00006-071 | Cap., Fixed, .015mfd, 25V, Mylar |
| C166 | 8000-00006-070 | Cap., Fixed, .01mfd, 50V, Mylar |
| C167 | 8000-00006-068 | Cap., Fixed, .001mfd, 25V, Mylar |
| C168 | 8000-00006-064 | Cap., Fixed, 4.7mfd, 16V, Elect. |
| C169 | 8000-00006-065 | Cap., Fixed, 10mfd, 10V, Elect. |
| C170 | 8000-00006-065 | Cap., Fixed, 10mfd, 10V, Elect. |
| C171 | 8000-00006-064 | Cap., Fixed, .47mfd, 16V, Elect. |
| C172 | 8000-00006-074 | Cap., Fixed, .1mfd, 25V, Mylar |
| C173 | 8000-00006-068 | Cap., Fixed, .001mfd, 25V, Mylar |
| C174 | 8000-00006-080 | Cap., Fixed, .04mfd, 50V, Cer. |
| C175 | 8000-00006-066 | Cap., Fixed, 33mfd, 6V, Elect. |
| C176 | 8000-00006-057 | Cap., Fixed, 100pfd, 50V, Mica |
| C178 | 8000-00006-067 | Cap., Fixed, 100mfd, 16V, Elect. |
| C179 | 8000-00006-068 | Cap., Fixed, 1000mfd, 16V, Elect. |
| C180 | 8000-00006-067 | Cap., Fixed, 100mfd, 16V, Elect. |
| C181 | 8000-00006-081 | Cap., Fixed, 2000pfd, Feed-Thru |
| C182 | 8000-00006-077 | Cap., Fixed, .001mfd, 50V, Cer. |
| C183 | 8000-00006-053 | Cap., Fixed, 22pfd, 50V, Mica |
| C184 | 8000-00006-063 | Cap., Fixed, 1mfd, 16V, Elect. |
| C185 | 8000-00006-079 | Cap., Fixed, .01mfd, 50V, Cer. |
| C186 | 8000-00006-061 | Cap., Fixed, 330pfd, 50V, Mica |
| C187 | 8000-00006-051 | Cap., Fixed, 8pfd, 50V, Mica |
| C188 | 8000-00006-191 | Cap., Fixed, 20pfd, 50V, Mica |
| C189 | 8000-00006-061 | Cap., Fixed, 330pfd, 50V, Mica |
| C190 | 8000-00006-079 | Cap., Fixed, .01mfd, 50V, Cer. |
| C191 | 8000-00006-079 | Cap., Fixed, .01mfd, 50V, Cer. |
| C192 | 8000-00006-079 | Cap., Fixed, .01mfd, 50V, Cer. |
| C193 | 8000-00006-066 | Cap., Fixed, 33mfd, 6V, Elect. |
| C194 | 8000-00006-163 | Cap., Fixed, 220mfd, 35V, Elect. |
| C195 | 8000-00006-165 | Cap., Fixed, 100mfd, 25V, Elect. |
| C196 | 8000-00006-078 | Cap., Fixed, .0022mfd, 50V, Cer. |
| C197 | 8000-00006-057 | Cap., Fixed, 100pfd, 50V, Mica |
| C198 | 8000-00006-067 | Cap., Fixed, 100mfd, 16V, Elect. |
| C199 | 8000-00006-164 | Cap., Fixed, 220mfd, 16V, Elect. |
| C200 | 8000-00006-164 | Cap., Fixed, 220mfd, 16V, Elect. |
| C201 | 8000-00006-067 | Cap., Fixed, 100mfd, 16V, Elect. |
| C202 | 8000-00006-049 | Cap., Fixed, 2pfd, 50V, Mica |
| C203 | 8000-00006-079 | Cap., Fixed, .01mfd, 50V, Cer. |

| <u>SYMBOL #</u> | <u>PART #</u> | <u>DESCRIPTION</u> |
|-----------------|----------------|----------------------------------|
| C204 | 8000-00006-165 | Cap., Fixed, 100mfd, 25V, Elect. |
| C207 | 8000-00006-055 | Cap., Fixed, 13pfd, 50V, Mica |
| CR101 | 8000-00006-007 | Diode, 1N60 |
| CR102 | 8000-00006-007 | Diode, 1N60 |
| CR103 | 8000-00006-008 | Diode, WG1021 |
| CR104 | 8000-00006-008 | Diode, WG1021 |
| CR105 | 8000-00006-008 | Diode, WG1021 |
| CR106 | 8000-00006-008 | Diode, WG1021 |
| CR107 | 8000-00006-007 | Diode, 1N60 |
| CR108 | 8000-00006-007 | Diode, 1N60 |
| CR109 | 8000-00006-007 | Diode, 1N60 |
| CR110 | 8000-00006-007 | Diode, 1N60 |
| CR111 | 8000-00006-007 | Diode, 1N60 |
| CR112 | 8000-00006-007 | Diode, 1N60 |
| CR113 | 8000-00006-007 | Diode, 1N60 |
| CR114 | 8000-00006-007 | Diode, 1N60 |
| CR115 | 8000-00006-147 | Diode, FR2-02 |
| CR116 | 8000-00006-147 | Diode, FR2-02 |
| CR117 | 8000-00006-147 | Diode, FR2-02 |
| CR118 | 8000-00006-147 | Diode, FR2-02 |
| CR119 | 8000-00006-007 | Diode, 1N60 |
| CR120 | 8000-00006-007 | Diode, 1N60 |
| CR121 | 8000-00006-147 | Diode, FR2-02 |
| CR122 | 8000-00006-147 | Diode, FR2-02 |
| CR123 | 8000-00006-147 | Diode, FR2-02 |
| DS101 | 8000-00006-202 | Lamp, #46 |
| DS102 | 8000-00006-202 | Lamp, #46 |
| DS103 | 8000-00006-093 | Lamp, #20, 3V |
| F101 | 8000-00006-158 | Fuse, 1 amp |
| F102 | 8000-00006-091 | Fuse, 2 amp |
| IC101 | 8000-00006-011 | Integrated Circuit, LAP011 |
| J101 | 8000-00006-155 | Jack, Phone |
| J102 | 8000-00006-088 | Jack, External Speaker |
| J103 | 8000-00006-088 | Jack, External Speaker |
| L101 | 8000-00006-015 | Coil, Antenna |
| L102 | 8000-00006-016 | Coil, RF Amp |
| L103 | 8000-00006-023 | Coil, Oscillator |
| L104 | 8000-00006-024 | Coil, Mixer |
| L105 | 8000-00006-024 | Coil, Mixer |
| L106 | 8000-00006-025 | Coil, Buffer Amplifier |
| L107 | 8000-00006-026 | Coil, Driver Amplifier |
| L108 | 8000-00006-014 | Coil, RF |
| L109 | 8000-00006-021 | Coil, Filter (B) |
| L110 | 8000-00006-020 | Coil, Filter (A) |
| L111 | 8000-00006-020 | Coil, Filter (A) |
| L112 | 8000-00006-027 | Coil, Filter |

| <u>SYMBOL #</u> | <u>PART #</u> | <u>DESCRIPTION</u> |
|-----------------|----------------|--|
| L113 | 8000-00006-027 | Coil, Filter |
| L114 | 8000-00006-013 | Choke, Line Filter |
| L115 | 8000-00006-151 | Coil, RF |
| L116 | 8000-00006-149 | Coil, Trap |
| MT101 | 8000-00006-156 | Meter |
| Q101 | 8000-00006-003 | Transistor, 2SC710 |
| Q102 | 8000-00006-003 | Transistor, 2SC710 |
| Q103 | 8000-00006-003 | Transistor, 2SC710 |
| Q104 | 8000-00006-003 | Transistor, 2SC710 |
| Q105 | 8000-00006-003 | Transistor, 2SC710 |
| Q106 | 8000-00006-003 | Transistor, 2SC710 |
| Q107 | 8000-00006-003 | Transistor, 2SC710 |
| Q108 | 8000-00006-003 | Transistor, 2SC710 |
| Q109 | 8000-00006-003 | Transistor, 2SC710 |
| Q110 | 8000-00006-005 | Transistor, 2SC738 |
| Q111 | 8000-00006-001 | Transistor, 2SC775 |
| Q112 | 8000-00006-002 | Transistor, 2SC778 |
| Q113 | 8000-00006-003 | Transistor, 2SC710 |
| Q114 | 8000-00006-003 | Transistor, 2SC710 |
| Q115 | 8000-00006-004 | Transistor, CS9012 |
| Q116 | 8000-00006-006 | Transistor, 2SD180 |
| Q117 | 8000-00006-190 | Transistor, 2SD81 |
| Q118 | 8000-00006-003 | Transistor, 2SC710 |
| Q119 | 8000-00006-003 | Transistor, 2SC710 |
| R141 | 8000-00006-045 | Resistor, 20K Ω , Variable |
| R147 | 8000-00006-046 | Resistor, 5K Ω , Variable |
| R152 | 8000-00006-047 | Resistor, 10K Ω , Variable |
| R159 | 8000-00006-045 | Resistor, 20K Ω , Variable |
| R160 | 8000-00006-044 | Resistor, 5K Ω , Variable |
| R168 | 8000-00006-199 | Resistor, 50K Ω , w/Switch Variable |
| R175 | 8000-00006-042 | Resistor, 1 Ω , 1 watt, Fixed |
| R180 | 8000-00006-160 | Resistor, 20K Ω , Variable |
| R182 | 8000-00006-161 | Resistor, 50K Ω , Variable |
| R183 | 8000-00006-044 | Resistor, 5K Ω , Variable |
| R187 | 8000-00006-159 | Resistor, 1K Ω , Variable |
| RY101 | 8000-00006-095 | Relay, 12V |
| S101 | 8000-00006-206 | Switch, Rotary, 24T |
| S102 | 8000-00006-153 | Switch, Rotary, 3T |
| S103 | 8000-00006-154 | Switch, 2P2T |
| S104 | 8000-00006-154 | Switch, 2P2T |
| S105 | 8000-00006-154 | Switch, 2P2T |
| S106 | 8000-00006-154 | Switch, 2P2T |
| SK101 | 8000-00006-090 | Connector, Antenna |
| SK102 | 8000-00004-070 | Connector, Microphone |
| SP101 | 8000-00006-152 | Speaker, 8 Ω |

| <u>SYMBOL #</u> | <u>PART #</u> | <u>DESCRIPTION</u> |
|-----------------|----------------|------------------------------|
| T101 | 8000-00006-022 | Transformer, 10.7 MHz |
| T102 | 8000-00006-022 | Transformer, 10.7 MHz |
| T103 | 8000-00006-017 | Transformer, IF, 455 KHz |
| T104 | 8000-00006-018 | Transformer, IF, 455 KHz |
| T105 | 8000-00006-018 | Transformer, IF, 455 KHz |
| T106 | 8000-00006-018 | Transformer, IF, 455 KHz |
| T107 | 8000-00006-019 | Transformer, IF, 455 KHz |
| T108 | 8000-00006-019 | Transformer, IF, 455 KHz |
| T109 | 8000-00006-012 | Transformer, Modulator |
| T110 | 8000-00006-148 | Transformer, AC |
| X101 | 8000-00006-028 | Crystal, 37.600 MHz |
| X102 | 8000-00006-029 | Crystal, 37.650 MHz |
| X103 | 8000-00006-030 | Crystal, 37.700 MHz |
| X104 | 8000-00006-031 | Crystal, 37.750 MHz |
| X105 | 8000-00006-032 | Crystal, 37.800 MHz |
| X106 | 8000-00006-033 | Crystal, 37.850 MHz |
| X107 | 8000-00006-034 | Crystal, 10.140 MHz |
| X108 | 8000-00006-035 | Crystal, 10.160 MHz |
| X109 | 8000-00006-036 | Crystal, 10.170 MHz |
| X110 | 8000-00006-037 | Crystal, 10.180 MHz |
| X111 | 8000-00006-038 | Crystal, 10.595 MHz |
| X112 | 8000-00006-039 | Crystal, 10.615 MHz |
| X113 | 8000-00006-040 | Crystal, 10.625 MHz |
| X114 | 8000-00006-041 | Crystal, 10.635 MHz |
| Z101 | 8000-00006-009 | Diode, Zener, ZB1-9 |
| Z102 | 8000-00006-010 | Diode, Zener, ZB1-35 |
| Z103 | 8000-00006-146 | Diode, Zener, 1S331 |
| | 8000-00006-170 | Front Panel |
| | 8000-00006-171 | Bottom Cover |
| | 8000-00006-177 | Heat Sink |
| | 8000-00006-098 | Microphone Hanger |
| | 8000-00006-178 | Cabinet |
| | 8000-00006-189 | Back Plate |
| | 8000-00006-119 | Knob, Volume/Squelch |
| | 8000-00006-115 | Knob, Channel |
| | 8000-00006-197 | Channel Indicator |
| | 8000-00006-180 | F. C. C. Label |
| | 8000-00006-181 | Grill, Speaker |
| | 8000-00006-116 | Channel Window |
| | 8000-00006-183 | Lamp Screen, Amber |
| | 8000-00004-164 | Microphone Connector, Female |
| | 8000-00004-153 | Microphone, Complete |
| | 8000-00004-157 | AC Line |
| | 8000-00006-174 | Bracket, Switch |
| | 8000-00006-176 | Holder, Lamp Busling |
| | 8000-00006-189 | Holder, Fuse |
| | 8000-00006-185 | Washer, Speaker |
| | 8000-00006-184 | Holder, Lamp |
| | 8000-00006-175 | Holder, Meter |
| | 8000-00006-188 | Styrofoam, Side |

SYMBOL #

PART #

DESCRIPTION

8000-00006-194
8000-00006-187
8000-00006-186
8000-00006-206

Plastic Bag, Radio
Styrofoam, Bottom
Styrofoam, Top
Display Box

SBE-11CB TRINIDAD PARTS LIST

B BOARD

| <u>SYMBOL #</u> | <u>PART #</u> | <u>DESCRIPTION</u> |
|-----------------|----------------|-----------------------------------|
| C101 | 8000-00006-259 | Cap., Fixed, 130pfd, 50V, Mica |
| C102 | 8000-00006-079 | Cap., Fixed, 0.01mfd, 50V, Cer. |
| C103 | 8000-00006-079 | Cap., Fixed, 0.01mfd, 50V, Cer. |
| C104 | 8000-00006-079 | Cap., Fixed, 0.01mfd, 50V, Cer |
| C105 | 8000-00006-079 | Cap., Fixed, 0.01mfd, 50V, Cer. |
| C106 | 8000-00006-079 | Cap., Fixed, 0.01mfd, 50V, Cer. |
| C107 | 8000-00006-079 | Cap., Fixed, 0.01mfd, 50V, Cer. |
| C108 | 8000-00006-049 | Cap., Fixed, 2pfd, 50V, Mica |
| C109 | 8000-00006-080 | Cap., Fixed, 0.04mfd, 50V, Cer. |
| C110 | 8000-00006-054 | Cap., Fixed, 33pfd, 50V, Mica |
| C111 | 8000-00006-072 | Cap., Fixed, 0.047mfd, 50V, Cer. |
| C112 | 8000-00006-080 | Cap., Fixed, 0.04mfd, 50V, Cer. |
| C113 | 8000-00006-223 | Cap., Fixed, 7pfd, 50V, Mica |
| C114 | 8000-00006-223 | Cap., Fixed, 7pfd, 50V, Mica |
| C115 | 8000-00006-223 | Cap., Fixed, 7pfd, 50V, Mica |
| C116 | 8000-00004-009 | Cap., Fixed, 47mfd, 16V, Elect. |
| C117 | 8000-00006-080 | Cap., Fixed, 0.04mfd, 50V, Cer. |
| C118 | 8000-00006-049 | Cap., Fixed, 2pfd, 50V, Mica |
| C119 | 8000-00006-080 | Cap., Fixed, 0.04mfd, 50V, Cer. |
| C120 | 8000-00006-080 | Cap., Fixed, 0.04mfd, 50V, Cer. |
| C121 | 8000-00006-049 | Cap., Fixed, 2pfd, 50V, mica |
| C122 | 8000-00006-080 | Cap., Fixed, 0.04mfd, 50V, Cer. |
| C123 | 8000-00006-080 | Cap., Fixed, 0.04mfd, 50V, Cer. |
| C124 | 8000-00006-080 | Cap., Fixed, 0.04mfd, 50V, Cer. |
| C125 | 8000-00006-057 | Cap., Fixed, 100pfd, 50V, Mica |
| C126 | 8000-00006-059 | Cap., Fixed, 150pfd, 50V, Mica |
| C127 | 8000-00006-080 | Cap., Fixed, 0.04mfd, 50V, Cer. |
| C128 | 8000-00006-063 | Cap., Fixed, 1mfd, 16V, Elect. |
| C129 | 8000-00006-078 | Cap., Fixed, 0.0022mfd, 50V, Cer. |
| C130 | 8000-00004-043 | Cap., Fixed, 0.22mfd, 25V, Elect. |
| C131 | 8000-00004-043 | Cap., Fixed, 0.22mfd, 25V, Elect. |
| C132 | 8000-00006-079 | Cap., Fixed, 0.01mfd, 50V, Cer. |
| C133 | 8000-00006-075 | Cap., Fixed, 680pfd, 50V, Mica |
| C134 | 8000-00006-062 | Cap., Fixed, 50pfd, 50V, Mica |
| C135 | 8000-00006-053 | Cap., Fixed, 22pfd, 50V, Mica |
| C136 | 8000-00006-057 | Cap., Fixed, 100pfd, 50V, Mica |
| C137 | 8000-00006-222 | Cap., Fixed, 8pfd, 50V, Mica |
| C138 | 8000-00006-222 | Cap., Fixed, 8pfd, 50V, Mica |
| C139 | 8000-00006-079 | Cap., Fixed, 0.01mfd, 50V, Cer. |
| C140 | 8000-00006-062 | Cap., Fixed, 50pfd, 50V, Mica |
| C141 | 8000-00006-057 | Cap., Fixed, 100pfd, 50V, Mica |
| C142 | 8000-00006-077 | Cap., Fixed, 0.001mfd, 50V, Cer. |
| C143 | 8000-00006-052 | Cap., Fixed, 10pfd, 50V, Mica |
| C144 | 8000-00006-053 | Cap., Fixed, 22pfd, 50V, Mica |
| C145 | 8000-00006-058 | Cap., Fixed, 120pfd, 50V, Mica |
| C146 | 8000-00006-079 | Cap., Fixed, 0.01mfd, 50V, Cer. |
| C147 | 8000-00006-058 | Cap., Fixed, 120pfd, 50V, Mica |
| C148 | 8000-00006-079 | Cap., Fixed, 0.01mfd, 50V, Cer. |
| C149 | 8000-00006-079 | Cap., Fixed, 0.01mfd, 50V, Cer. |

| <u>SYMBOL #</u> | <u>PART #</u> | <u>DESCRIPTION</u> |
|-----------------|----------------|-----------------------------------|
| C150 | 8000-00006-079 | Cap., Fixed, 0.01mfd, 50V, Cer. |
| C151 | 8000-00006-075 | Cap., Fixed, 680pfd, 50V, Mica |
| C152 | 8000-00006-072 | Cap., Fixed, 0.047mfd, 25V, Mylar |
| C153 | 8000-00006-079 | Cap., Fixed, 0.01mfd, 50V, Cer. |
| C154 | 8000-00006-079 | Cap., Fixed, 0.01mfd, 50V, Cer. |
| C155 | 8000-00004-043 | Cap., Fixed, 0.22mfd, 25V, Elect. |
| C156 | 8000-00006-079 | Cap., Fixed, 0.01mfd, 50V, Cer. |
| C157 | 8000-00006-053 | Cap., Fixed, 22pfd, 50V, Mica |
| C158 | 8000-00006-075 | Cap., Fixed, 680pfd, 50V, Mica |
| C159 | 8000-00006-079 | Cap., Fixed, 0.01mfd, 50V, Cer. |
| C160 | 8000-00006-052 | Cap., Fixed, 10pfd, 50V, Mica |
| C161 | 8000-00006-054 | Cap., Fixed, 33pfd, 50V, Mica |
| C162 | 8000-00006-082 | Cap., Var., 150pfd, Trimmer |
| C163 | 8000-00006-079 | Cap., Fixed, 0.01mfd, 50V, Cer. |
| C164 | 8000-00006-058 | Cap., Fixed, 120pfd, 50V, Mica |
| C165 | 8000-00006-079 | Cap., Fixed, 0.01mfd, 50V, Cer. |
| C166 | 8000-00006-058 | Cap., Fixed, 120pfd, 50V, Mica |
| C168 | 8000-00006-077 | Cap., Fixed, 0.001mfd, 25V, Mylar |
| C169 | 8000-00006-063 | Cap., Fixed, 1mfd, 16V, Elect. |
| C170 | 8000-00006-047 | Cap., Fixed, 10mfd, 16V, Elect. |
| C171 | 8000-00006-064 | Cap., Fixed, 4.7mfd, 16V, Elect. |
| C172 | 8000-00006-063 | Cap., Fixed, 1mfd, 16V, Elect. |
| C173 | 8000-00006-067 | Cap., Fixed, 100mfd, 16V, Elect. |
| C174 | 8000-00006-063 | Cap., Fixed, 1mfd, 16V, Elect. |
| C175 | 8000-00006-066 | Cap., Fixed, 33mfd, 16V, Elect. |
| C176 | 8000-00006-063 | Cap., Fixed, 1mfd, 16V, Elect. |
| C177 | 8000-00006-067 | Cap., Fixed, 100mfd, 16V, Elect. |
| C178 | 8000-00006-077 | Cap., Fixed, 0.001mfd, 25V, Mylar |
| C179 | 8000-00006-067 | Cap., Fixed, 100mfd, 16V, Elect. |
| C180 | 8000-00006-063 | Cap., Fixed, 1mfd, 16V, Elect. |
| C181 | 8000-00006-068 | Cap., Fixed, 1000mfd, 16V, Elect. |
| C182 | 8000-00006-072 | Cap., Fixed, 0.04mfd, 25V, Mylar |
| C201 | 8000-00004-048 | Cap., Fixed, Feed-Thru, 1000mfd |
| C202 | 8000-00006-079 | Cap., Fixed, 0.01mfd, 50V, Cer. |
| C203 | 8000-00006-079 | Cap., Fixed, 0.01mfd, 50V, Cer. |
| C204 | 8000-00006-049 | Cap., Fixed, 2pfd, 50V, Mica |
| C205 | 8000-00006-079 | Cap., Fixed, 0.01mfd, 50V, Cer. |
| C206 | 8000-00006-057 | Cap., Fixed, 100pfd, 50V, Mica |
| C207 | 8000-00006-079 | Cap., Fixed, 0.01mfd, 50V, Cer. |
| C208 | 8000-00006-066 | Cap., Fixed, 33mfd, 16V, Elect. |
| C209 | 8000-00006-067 | Cap., Fixed, 100mfd, 16V, Elect. |
| C210 | 8000-00006-078 | Cap., Fixed, 0.0022mfd, 50V, Cer. |
| C211 | 8000-00006-163 | Cap., Fixed, 2200mfd, 35V, Elect. |
| C214 | 8000-00006-047 | Cap., Fixed, 10mfd, 16V, Elect. |
| C215 | 8000-00006-067 | Cap., Fixed, 100mfd, 16V, Elect. |
| C216 | 8000-00006-066 | Cap., Fixed, 33mfd, 16V, Elect. |
| C217 | 8000-00004-021 | Cap., Fixed, 47pfd, 50V, Mica |
| C218 | 8000-00004-204 | Cap., Var., 10pfd, Trimmer |
| C302 | 8000-00006-077 | Cap., Fixed, 0.001mfd, 50V, Cer. |
| C303 | 8000-00006-079 | Cap., Fixed, 0.01mfd, 50V, Cer. |

| <u>SYMBOL #</u> | <u>PART #</u> | <u>DESCRIPTION</u> |
|-----------------|----------------|--------------------------|
| CR101 | 8000-00006-007 | Diode, 1N60 |
| CR102 | 8000-00006-007 | Diode, 1N60 |
| CR103 | 8000-00006-007 | Diode, 1N60 |
| CR104 | 8000-00006-007 | Diode, 1N60 |
| CR105 | 8000-00006-007 | Diode, 1N60 |
| CR106 | 8000-00006-008 | Diode, WG1012 |
| CR107 | 8000-00006-008 | Diode, WG1012 |
| CR108 | 8000-00004-068 | Diode, 10D4 |
| CR109 | 8000-00004-068 | Diode, 10D4 |
| CR201 | 8000-00006-007 | Diode, 1N60 |
| CR202 | 8000-00006-007 | Diode, 1N60 |
| CR203 | 8000-00006-007 | Diode, 1N60 |
| CR204 | 8000-00006-007 | Diode, 1N60 |
| CR205 | 8000-00006-007 | Diode, 1N60 |
| CR206 | 8000-00006-007 | Diode, 1N60 |
| CR207 | 8000-00006-007 | Diode, 1N60 |
| CR208 | 8000-00006-007 | Diode, 1N60 |
| CR210 | 8000-00004-239 | Diode, 1S331 |
| CR211 | 8000-00004-068 | Diode, 10D4 |
| CR212 | 8000-00004-068 | Diode, 10D4 |
| CR213 | 8000-00004-068 | Diode, 10D4 |
| CR214 | 8000-00004-068 | Diode, 10D4 |
| J2 | 8000-00006-088 | Jack, Ext. |
| J3 | 8000-00006-088 | Jack, Ext. |
| L101 | 8000-00006-015 | Coil, Antenna |
| L102 | 8000-00006-016 | Coil, RF Amp. |
| L103 | 8000-00006-224 | Coil, 37MHz, Osc. |
| L104 | 8000-00006-024 | Coil, Mixer |
| L105 | 8000-00006-024 | Coil, Mixer |
| L106 | 8000-00006-025 | Coil, Buffer Amp. |
| L107 | 8000-00006-026 | Coil, Driver Amp. |
| L108 | 8000-00006-226 | Choke Coil, .65 μ h |
| L109 | 8000-00006-021 | Coil, Filter |
| L110 | 8000-00006-020 | Coil, Filter |
| L111 | 8000-00006-020 | Coil, Filter |
| L112 | 8000-00006-262 | Choke, 220 μ h |
| L113 | 8000-00006-013 | Coil, Line Filter |
| L114 | 8000-00006-261 | Choke Coil, 3.3 μ h |
| L115 | 8000-00006-263 | Choke, 4.7 μ h |
| L116 | 8000-00006-264 | Choke, 0.3 μ h |
| L117 | 8000-00004-263 | Choke Coil, 0.22 μ h |
| L302 | 8000-00006-264 | Choke, 3.3 μ h |
| M1 | 8000-00006-156 | Meter |
| Q101 | 8000-00006-003 | Transistor, 2SC710 |
| Q102 | 8000-00006-003 | Transistor, 2SC710 |
| Q103 | 8000-00006-003 | Transistor, 2SC710 |
| Q104 | 8000-00006-003 | Transistor, 2SC710 |
| Q105 | 8000-00006-003 | Transistor, 2SC710 |

| <u>SYMBOL #</u> | <u>PART #</u> | <u>DESCRIPTION</u> |
|-----------------|----------------|--------------------------------------|
| Q106 | 8000-00006-003 | Transistor, 2SC710 |
| Q107 | 8000-00006-003 | Transistor, 2SC710 |
| Q108 | 8000-00006-003 | Transistor, 2SC710 |
| Q109 | 8000-00006-003 | Transistor, 2SC710 |
| Q110 | 8000-00006-003 | Transistor, 2SC710 |
| Q111 | 8000-00004-087 | Transistor, 2SC1014 |
| Q112 | 8000-00004-087 | Transistor, 2SC1014 |
| Q113 | 8000-00006-003 | Transistor, 2SC710 |
| Q114 | 8000-00006-003 | Transistor, 2SC710 |
| Q115 | 8000-00006-003 | Transistor, 2SC710 |
| Q116 | 8000-00006-005 | Transistor, 2SC738 |
| Q117 | 8000-00006-001 | Transistor, 2SC775 |
| Q118 | 8000-00006-230 | Transistor, 2SC756 |
| Q201 | 8000-00006-003 | Transistor, 2SC710 |
| Q202 | 8000-00006-190 | Transistor, 2SD81 |
| RL1 | 8000-00006-256 | Relay |
| S201 | 8000-00006-255 | Switch, Rotary |
| S202 | 8000-00006-154 | Switch, Lever |
| S203 | 8000-00006-154 | Switch, Lever |
| S204 | 8000-00006-154 | Switch, Lever |
| S206 | 8000-00006-153 | Switch, Rotary |
| S301 | 8000-00006-153 | Switch, Rotary, 3T |
| SP1 | 8000-00006-152 | Speaker, 8 Ω |
| T101 | 8000-00006-259 | Transformer, RF Mixer |
| T102 | 8000-00006-259 | Transformer, RF Mixer |
| T103 | 8000-00006-017 | Transformer, 455 KHz |
| T104 | 8000-00006-018 | Transformer, 455 KHz |
| T105 | 8000-00006-018 | Transformer, 455 KHz |
| T106 | 8000-00006-018 | Transformer, 455 KHz |
| T107 | 8000-00006-019 | Transformer, 455 KHz, IF |
| T108 | 8000-00006-019 | Transformer, 455 KHz, IF |
| T109 | 8000-00006-228 | Transformer, In-put |
| T110 | 8000-00006-229 | Transformer, Output |
| T201 | 8000-00006-266 | AC Power Supply Transformer, PT-1215 |
| V101 | 8000-00004-067 | Diode, MV-3 |
| VR152 | 8000-00006-046 | Resistor, Var., 5K Ω |
| VR155 | 8000-00006-047 | Resistor, Var., 10K Ω |
| VR171 | 8000-00006-042 | Resistor, Fixed, 1 Ω , 1W |
| VR201 | 8000-00006-161 | Resistor, Var., 50K Ω |
| VR202 | 8000-00006-160 | Resistor, Var., 20K Ω |
| VR203 | 8000-00006-159 | Resistor, Var., 1K Ω |
| VR204 | 8000-00006-044 | Resistor, Var., 5K Ω |
| VR205 | 8000-00006-199 | Resistor, Var., 50K Ω |
| VR302 | 8000-00006-341 | Resistor, Var., 500K Ω |

| <u>SYMBOL #</u> | <u>PART #</u> | <u>DESCRIPTION</u> |
|-----------------|----------------|-------------------------------------|
| X101 | 8000-00006-243 | Crystal, 37.600 MHz |
| X102 | 8000-00006-244 | Crystal, 37.650 MHz |
| X103 | 8000-00006-245 | Crystal, 37.700 MHz |
| X104 | 8000-00006-246 | Crystal, 37.750 MHz |
| X105 | 8000-00006-247 | Crystal, 37.800 MHz |
| X106 | 8000-00006-248 | Crystal, 37.850 MHz |
| X107 | 8000-00006-234 | Crystal, 10.140 MHz |
| X108 | 8000-00006-235 | Crystal, 10.160 MHz |
| X109 | 8000-00006-236 | Crystal, 10.170 MHz |
| X110 | 8000-00006-237 | Crystal, 10.180 MHz |
| X111 | 8000-00006-249 | Crystal, 10.595 MHz |
| X112 | 8000-00006-250 | Crystal, 10.615 MHz |
| X113 | 8000-00006-251 | Crystal, 10.625 MHz |
| X114 | 8000-00006-252 | Crystal, 10.635 MHz |
| Z101 | 8000-00006-232 | Diode, Zener |
| Z301 | 8000-00004-239 | Diode, Zener, 1S331 |
| | 8000-00006-155 | Jack, Phone |
| | 8000-00006-202 | Lamp, Meter, 6.3V |
| | 8000-00006-202 | Lamp, Channel Indicator, 6.3V |
| | 8000-00006-094 | Lamp, 14V |
| | 8000-00006-091 | Fuse, 2A |
| | 8000-00006-158 | Fuse, 1A |
| | 8000-00006-115 | Knob, Channel Selector |
| | 8000-00006-204 | Knob, Volume & Squelch |
| | 8000-00006-204 | Knob, Delta Tune |
| | 8000-00004-070 | Microphone Connector, Chassis Mount |
| | 8000-00006-178 | Wood Cabinet |
| | 8000-00006-171 | Bottom Cover |
| | 8000-00004-153 | Microphone |
| | 8000-00006-098 | Microphone Hanger |
| | 8000-00006-106 | Heat Sink, Final Amp. |
| | 8000-00006-083 | Heat Sink, Driver Amp. |
| | 8000-00008-010 | Fuse Holder, In Line |
| | 8000-00006-090 | Antenna Connector |
| | 8000-00006-192 | Fuse Holder |
| | 8000-00006-170 | Front Plate |
| | 8000-00006-181 | Grill, Speaker |
| | 8000-00006-197 | Channel Indicator |
| | 8000-00006-180 | F.C.C. Label |
| | 8000-00006-184 | Holder, Lamp |
| | 8000-00006-198 | Channel Window |
| | 8000-00006-207 | Display Box |
| | 8000-00006-157 | AC Cord |
| | 8000-00006-162 | Power Supply P.C. Board (bare) |
| | 8000-00006-172 | Cabinet Back, Wood |
| | 8000-00006-182 | VSWR P.C. Board (bare) |
| | 8000-00006-185 | Speaker Insulator |



SBE, INC.
220 AIRPORT BLVD.
WATSONVILLE, CA 95076