

## GENERAL OPERATING PROCEDURE

**CAUTION:** BEFORE OPERATING THIS TRANSCEIVER, YOU ARE REQUIRED BY LAW TO READ AND UNDERSTAND PART 95 OF THE FCC RULES AND REGULATIONS.

CHECK TO SEE IF THE PROPER CONNECTIONS HAVE BEEN MADE ON THE POWER CABLE, ANTENNA SYSTEM, AND MICROPHONE.

### Receiver

- a. Plug in microphone.
- b. Turn Volume and Squelch control fully counter clockwise.
- c. Rotate channel dial to desired channel.
- d. Rotate Volume control clockwise. You will hear an audible click and the meter and channel dial lights will come on. Continue rotating clockwise to desired listening level.
- e. With no signal present, rotate Squelch control clockwise until the rushing noise disappears. Careful adjustment is necessary.

### Transmitter

**WARNING:** IT IS ILLEGAL TO OPERATE THE TRANSMITTER SECTION OF THIS TRANSCEIVER PRIOR TO RECEIVING A VALID STATION LICENSE AND CALL SIGN FROM THE FEDERAL COMMUNICATIONS COMMISSION.

**CAUTION:** NEVER OPERATE THIS UNIT WITHOUT AN ADEQUATE ANTENNA SYSTEM OR LOAD. ANTENNA SWR SHOULD NOT EXCEED 3:1. FAILURE TO FOLLOW THESE RECOMMENDATIONS COULD RESULT IN DAMAGE TO THE RF OUTPUT TRANSISTOR.

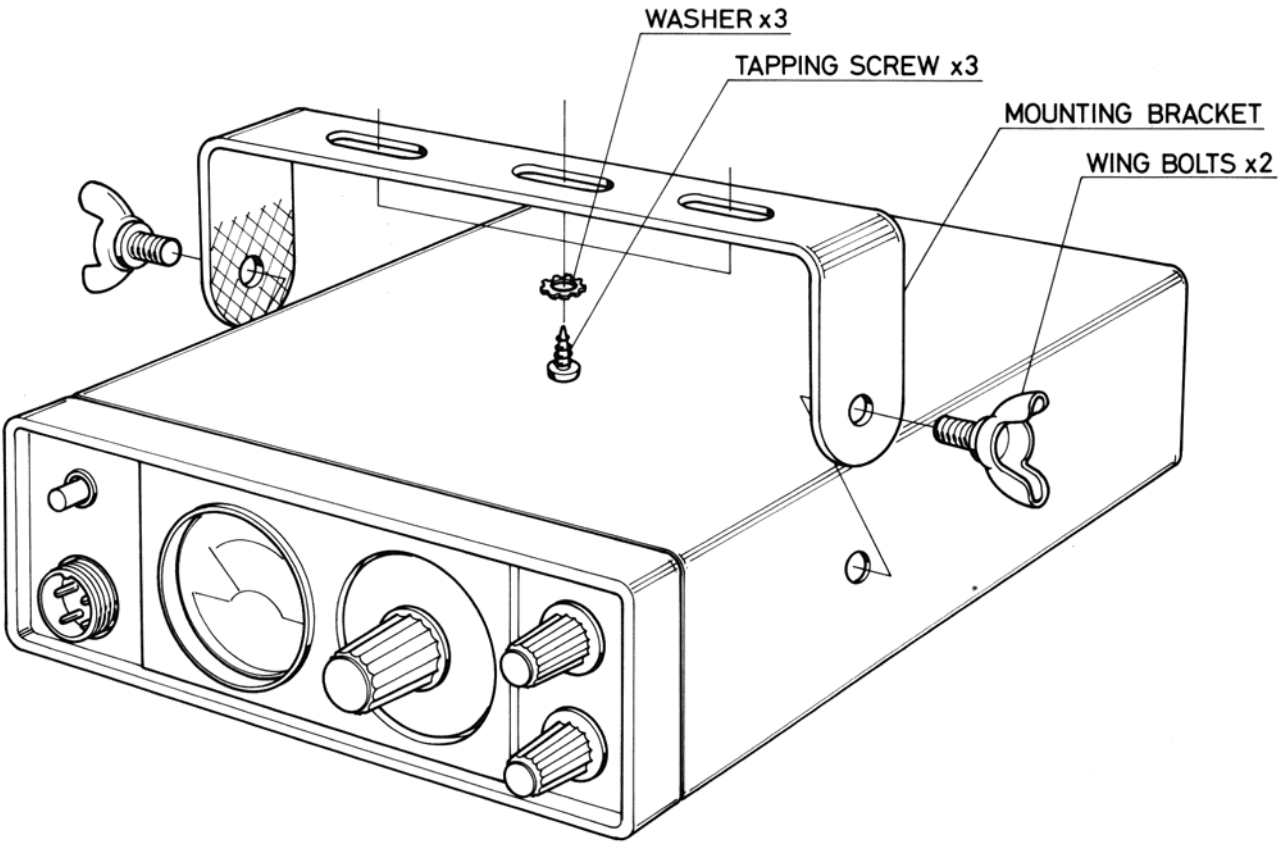
1. Set channel selector to the desired channel.
2. To transmit, depress the Push-To-Talk switch on the microphone. Hold the microphone 3 to 5 inches from your mouth and talk in a normal level.

## SERVICING YOUR TRANSCEIVER

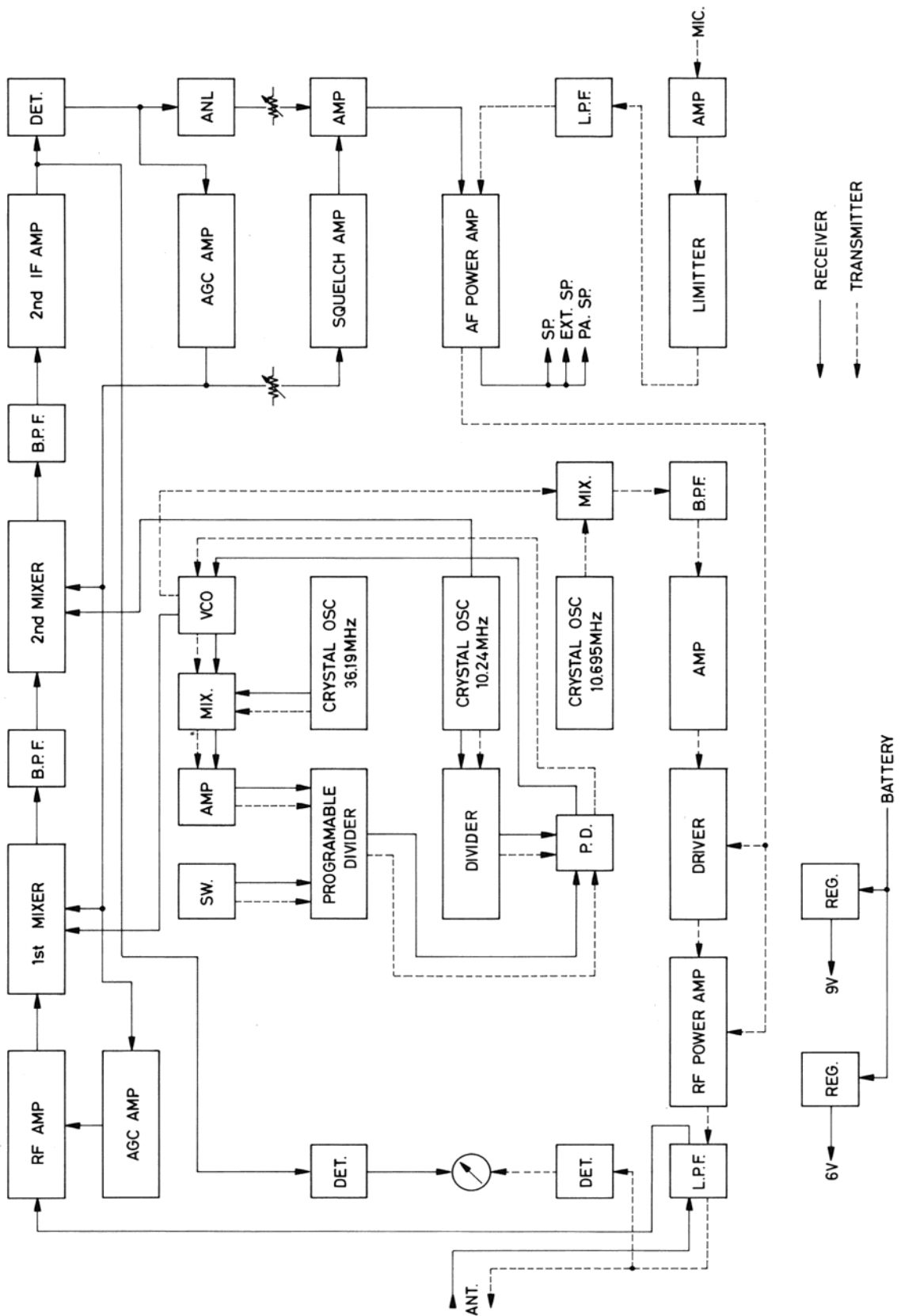
The technical information, diagrams and charts provided in this manual are supplied for the use of a qualified holder of a first or second class radiotelephone license in servicing this transceiver. It is the users responsibility to see that this unit is operating at all times in accordance with the F.C.C. citizens radio service regulations.

If you install your own transceiver, do not attempt to make any transmitter tuning. Adjustments are prohibited by the F.C.C. unless you hold or are in the presence and under the supervision of a first or second class radiotelephone licensed person. A Citizens Band or Amateur license is not sufficient.

# MOUNTING INSTRUCTIONS

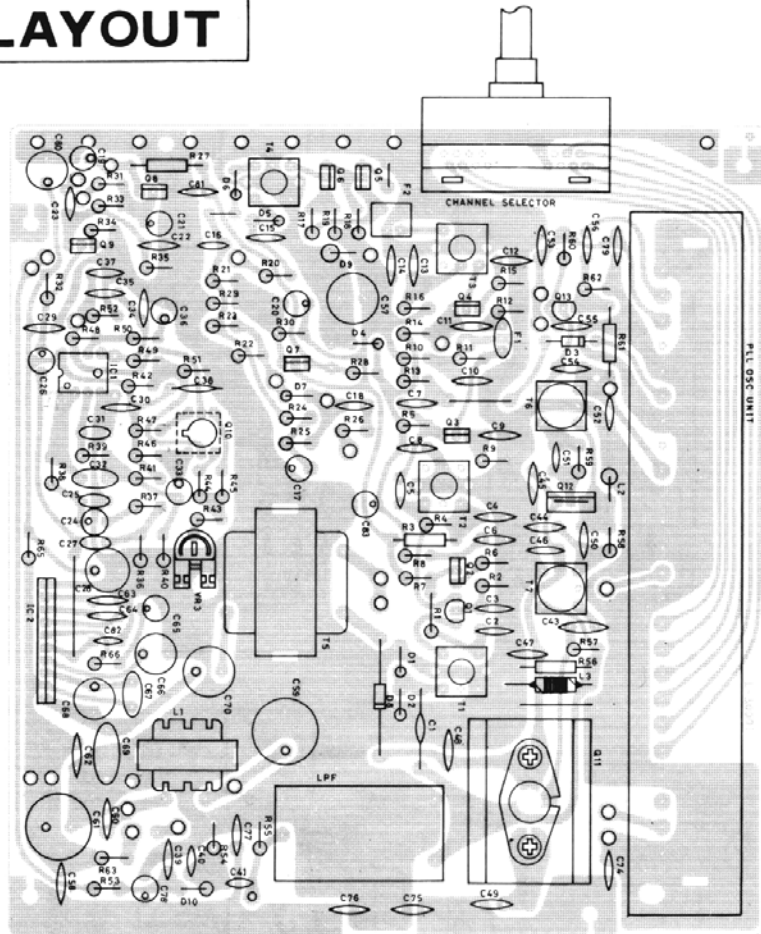


# BLOCK DIAGRAM

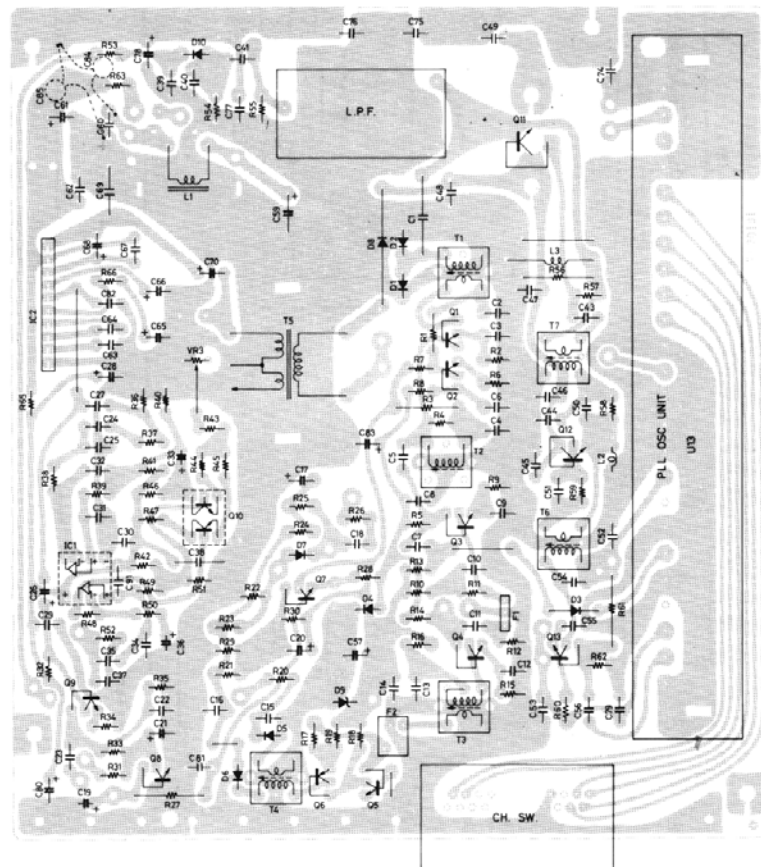


# PARTS LAYOUT

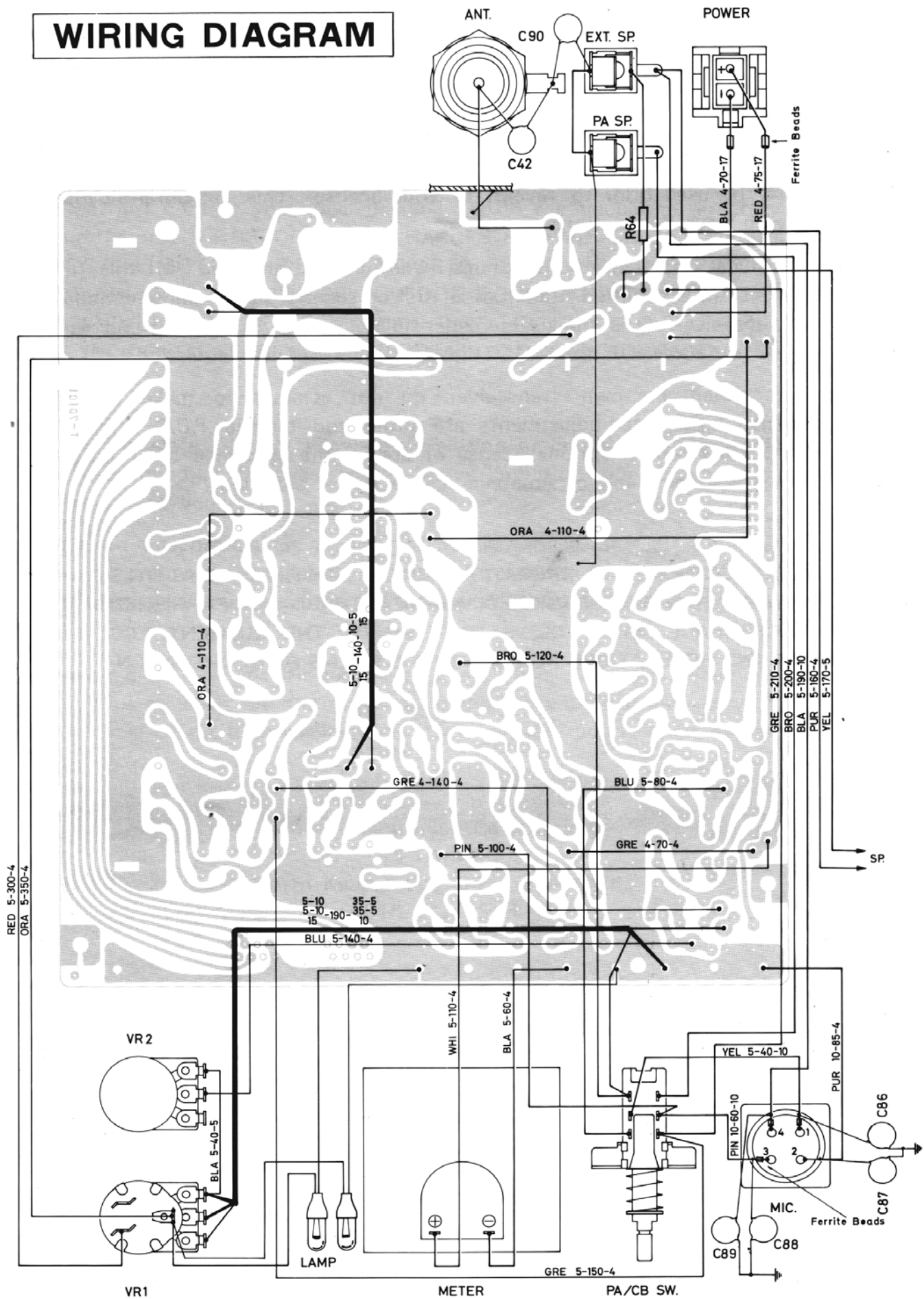
## TOP VIEW



## BACK VIEW



# WIRING DIAGRAM



## **FEDERAL COMMUNICATION COMMISSIONS REQUIREMENTS**

Your new Royce 1-648 is a combination receiver-transmitter designed and built for licensed Class D operation on any of the 23 frequencies designated as citizens band channels by the Federal Communications Commission. You are required to read and understand Part 95 of the F.C.C. rules and regulations prior to operation of this unit. Part 95 regulations are enclosed with this transceiver. You are also required to complete F.C.C. form 505 and submit it to the F.C.C. in order to receive your license to operate this unit. F.C.C. temporal license form may be used prior to receipt of your license. This temporal license form is also enclosed with your Royce transceiver.

**NOTE:** The technical information, diagrams, and charts provided in this manual are supplied for the use of a qualified holder of a first or second class radiotelephone license in servicing this transceiver. It is the users responsibility to see that this unit is operating at all times in accordance with the F.C.C. Citizens Radio Service regulations.

If you install or service your own transceiver, do not attempt to make any transmitter tuning adjustment. Transmitter adjustments are prohibited by the F.C.C. unless you hold a first or second class radiotelephone license or are in the presence of a person holding such a license. A Citizens Band or Amateur license is not sufficient.

**ROYCE ELECTRONICS CORPORATION HEREBY CERTIFIES THAT THIS EQUIPMENT HAS BEEN DESIGNED, MANUFACTURED AND FURNISHED IN ACCORDANCE WITH VOL. 6 PART 95 OF THE CURRENT FCC RULES AND REGULATIONS FOR CLASS D CITIZENS BAND OPERATION.**

## **LIMITED WARRANTY**

We warrant each new Royce product to the original consumer purchaser to be free from defects in material and workmanship for a period of ninety (90) days from date of purchase as shown on purchaser's receipt.

Royce will repair or replace, AT ITS OPTION AND FREE OF CHARGE, during the warranty period, any part which proves defective in material and/or workmanship under normal installation, use, and service. To obtain the name and address of a warranty service center in your area, just contact your local dealer listed in the telephone directory or return the unit to our factory, TRANSPORTATION CHARGES PREPAID, at the address below. THIS WARRANTY IS LIMITED TO DEFECTIVE PARTS REPAIR AND/OR REPLACEMENT ONLY AND DOES NOT COVER ANY ACCESSORY USED IN CONNECTION WITH THIS PRODUCT. LABOR CHARGES AND/OR DAMAGE INCURRED IN INSTALLATION, REPAIR, OR REPLACEMENT AS WELL AS INCIDENTAL AND CONSEQUENTIAL DAMAGES CONNECTED THEREWITH ARE EXCLUDED.

Some states do not allow the exclusion or limitation of incidental or consequential damages, so the above limitation or exclusion may not apply to you.

Any damage to this product as a result of misuse, abuse, neglect, accident, incorrect wiring (not our own), improper installation, repair or alteration outside our factory or authorized service centers, or any use violative of instructions furnished by us, WILL VOID THIS WARRANTY.

This warranty gives you specific legal rights, and you may also have other rights which vary from state to state. In the event of a problem with warranty service or performance, you may be able to go to a small claims court, a state court, or a federal district court.

Royce Electronics Corporation  
1746 Levee Road  
North Kansas City, Missouri 64116  
816-842-7505

**Royce  electronics corporation**

Division of Masco Corporation

1746 Levee Road North Kansas City, Missouri 64116

Royce Electronics Corporation Copyright 1977

North Kansas City, Missouri 64116 U.S.A.

Made Exclusively for Royce Electronics Corp. in Japan.

PRINTED IN JAPAN