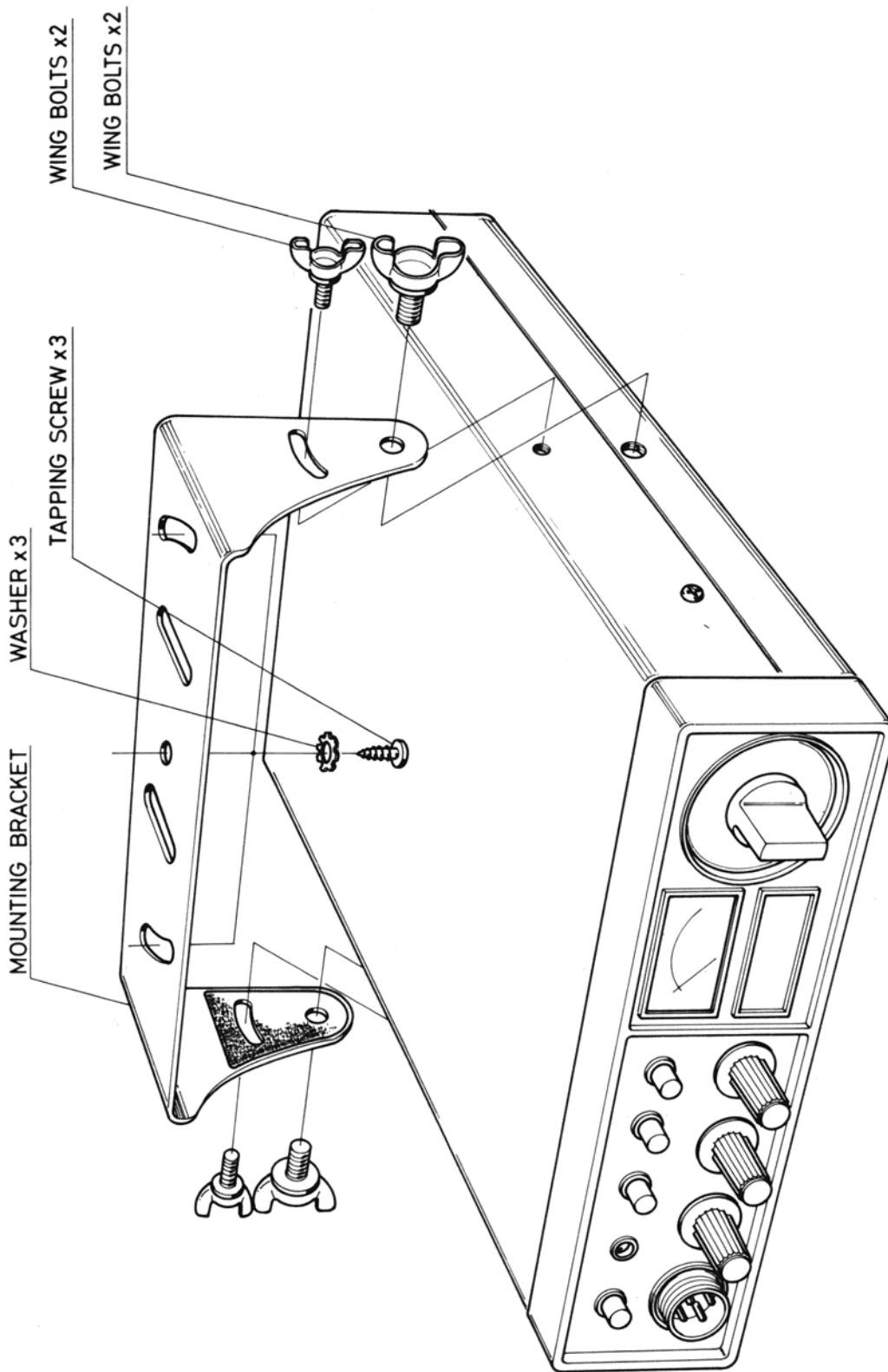
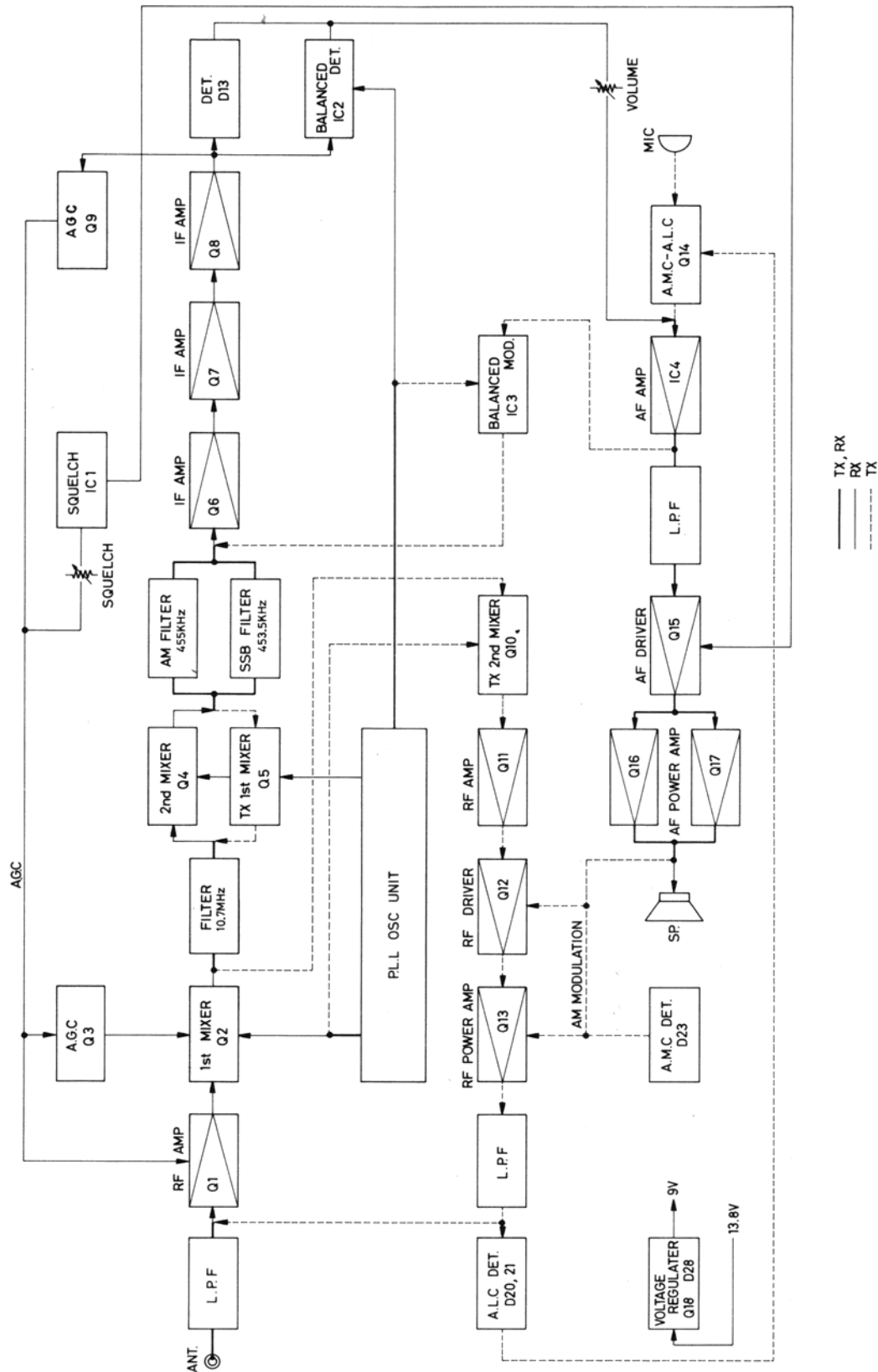


# MOUNTING INSTRUCTIONS

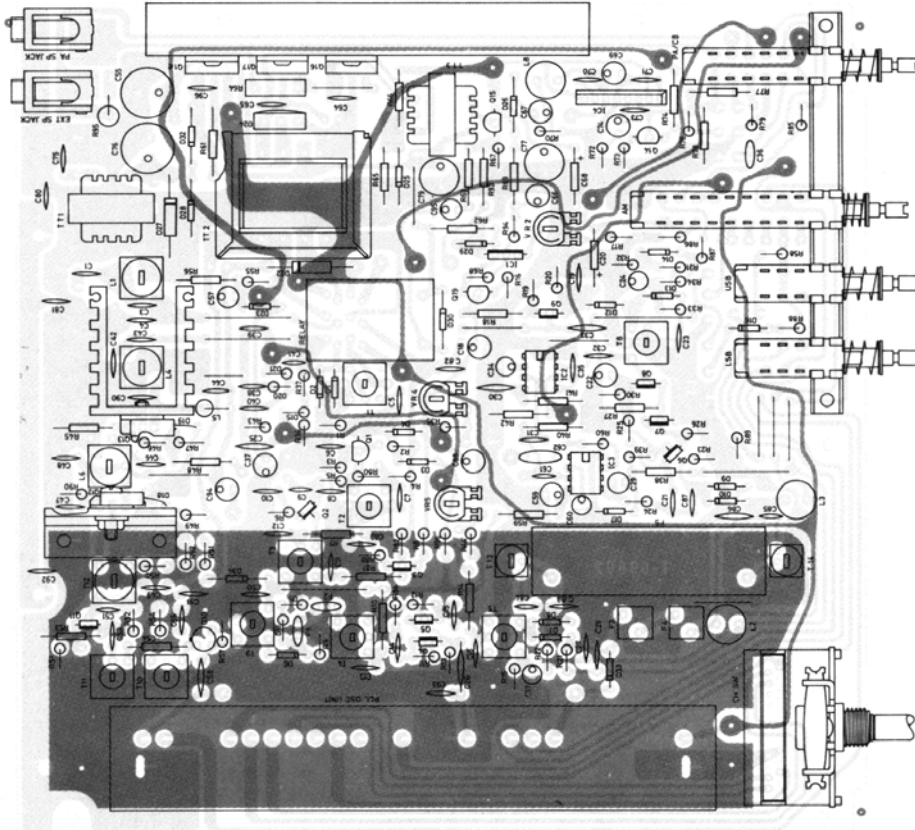


# BLOCK DIAGRAM

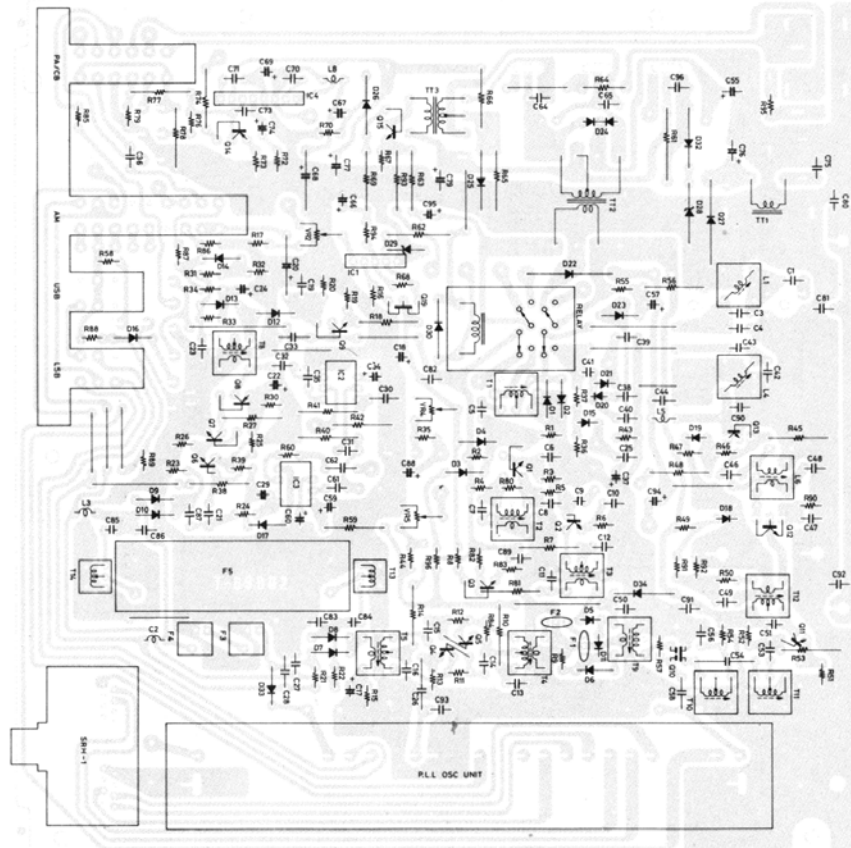


# PARTS LAYOUT

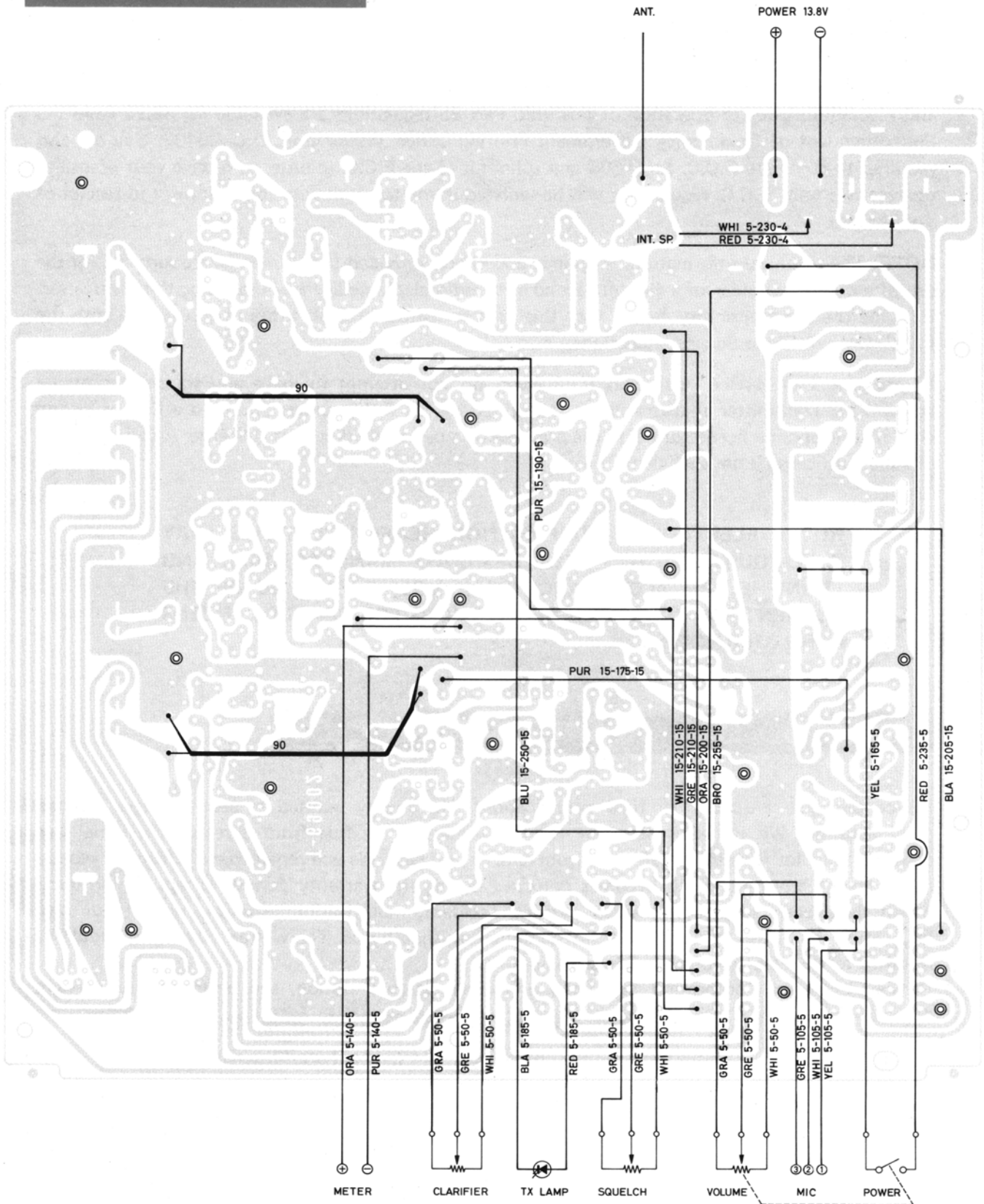
## TOP VIEW



## BACK VIEW



# WIRING DIAGRAM



## FEDERAL COMMUNICATIONS COMMISSION REQUIREMENTS

Your new Royce 1-636 is a combination receiver-transmitter designed and built for licensed Class D operation on any of the 23 frequencies designated as citizens band channels by the Federal Communications Commission. You are required to read and understand Part 95 of the F.C.C. rules and regulations prior to operation of this unit. Part 95 regulations are available for \$2.25 from the Superintendent of Documents, Government Printing Office, Washington, D.C. 20402. You are also required to complete F.C.C. form 505 and submit it to the F.C.C. in order to receive your license to operate this unit. F.C.C. regulations will be violated if you transmit with this unit prior to receipt of your license.

**NOTE:** The technical information, diagrams, and charts provided in this manual are supplied for the use of a qualified holder of a first or second class radiotelephone license in servicing this transceiver. It is the users responsibility to see that this unit is operating at all times in accordance with the F.C.C. Citizens Radio Service regulations.

If you install or service your own transceiver, do not attempt to make any transmitter tuning adjustment. Transmitter adjustments are prohibited by the F.C.C. unless you hold a first or second class radiotelephone license or are in the presence of a person holding such a license. A Citizens Band or Amateur license is not sufficient.

**ROYCE ELECTRONICS CORPORATION HEREBY CERTIFIES THAT THIS EQUIPMENT HAS BEEN DESIGNED, MANUFACTURED AND FURNISHED IN ACCORDANCE WITH VOL, 6 PART 95 OF THE CURRENT FCC RULES AND REGULATIONS FOR CLASS D CITIZENS BAND OPERATION.**

## FULL 90 DAY WARRANTY POLICY

Royce products are built to rigid specifications and quality audited at several stages in their manufacturing. We warrant each new Royce product to be free from defects in material and craftsmanship for a period of 90 days from date of purchase. We will repair free of charge or replace at no charge any unit which becomes defective during the warranty period, except for products which have been subject to misuse, neglect, accident, modification in wiring not of our own installation, or to use in violation of instructions furnished by us. The warranty products should be returned to Royce Electronics freight prepaid.

Royce Electronics Corporation will repair or replace, at their option, and return the item freight prepaid.

**Royce**  **electronics** corporation  
1746 Levee Road, North Kansas City, Missouri 64116

Royce Electronics Corporation Copyright 1976  
North Kansas City, Missouri 64116, U.S.A.  
Made Exclusively for Royce Electronics Corp. in Japan.

# TRANSISTOR VOLTAGE CHART

		Vb (V)				Vc (V)				Ve (V)			
		TX		RX		TX		RX		TX		RX	
		AM	SSB	AM	SSB	AM	SSB	AM	SSB	AM	SSB	AM	SSB
Q 1	2SC1856	1.1	1.1	2.1	2.1	0.4	0.4	8.8	8.8	0.35	0.35	1.3	1.3
Q 2	2SC460	0	0	2.9	2.8	0	0	9.6	9.6	0	0	3.1	3
Q 3	2SC460	0	0	0~ 0.9	0~ 1	0	0	8.8~ 0.8	8.8~ 0.8	0	0	0.1~ 0.2	0~ 0.2
Q 4	2SC460	0	0	0.52	0.52	0	0	9.8	9.8	1.45	1.45	1.1	1.1
Q 5	2SC460	1.3	1.3	0	0	8.9	9.1	0	0	1.45	1.45	1.1	1.1
Q 6	2SC458	0	0	1.3	1.3	0	0	10	10	0	0	0.7	0.7
Q 7	2SC458	0	0	0.7	0.7	0	0	3.4	3.4	0	0	0	0
Q 8	2SA673	0	0	3.4	3.4	0	0	0	0	0	0	4.1	4.1
Q 9	2SC458	0	0	1~ 7.1	0~ 6.5	0	0	10	10	0	0	1~ 6.5	0~ 5.9
Q11	2SC460	1.5	1.5	0	0	9.8	10	0	0	0.8	0.8	0	0
Q12	2SC1018	0.6	0.7	0	0	8.3	13.3~ 18.7	0	0	0.2	0.025 ~0.07	0	0
Q13	2SC1945	0.24	0.6	0	0	8.4	13.3~ 18.7	0	0	0	0	0	0
Q14	2SB561	0~ 0.6	0~ 0.5	0	0	0	0	0	0	0	0	0	0
Q15	2SD467	1.06	1.04	1.1	1.1	13.6	12.7	13.2	13.2	0.45	0.46	0.45	0.45
		1.06	1.04	0	0	13.6	12.7	13.8	13.8	0.45	0.46	0	0
Q16	2SC1061	0.7	0.7	0.7	0.7	13.6	13.7	13.6	13.6	0.1~ 0.5	0.1~ 0.88	0.04~ 0.45	0.04~ 0.45
Q17	2SC1061	0.7	0.7	0.7	0.7	13.6	13.7	13.6	13.6	0.1~ 0.5	0.1~ 0.88	0.04~ 0.45	0.04~ 0.45
Q18	2SC1061	10.6	10.6	10.6	10.6	13.6	13.4	13.7	13.7	9.8	10	10	10

NO  
SQUELCH  
  
SQUELCH

		Vg (V)				Vd (V)				Vs (V)			
		Tx		Rx		Tx		Rx		Tx		Rx	
		AM	SSB	AM	SSB	AM	SSB	AM	SSB	AM	SSB	AM	SSB
Q19	2SK30A	0	0	0.4 ~4.9	0 ~4.9	6.4	6.4	6.4	6.4	1.4	1.4	2.1 ~5.9	1.3 ~5.7

		Vg1 (V)				Vg2 (V)				Vd (V)				Vs (V)			
		Tx		Rx		Tx		Rx		Tx		Rx		Tx		Rx	
		AM	SSB	AM	SSB	AM	SSB	AM	SSB	AM	SSB	AM	SSB	AM	SSB	AM	SSB
Q10	3SK45	0	0	0	0	0	0	0	0	9.4	9.5	0	0	0	0	0	0

			PIN NO	1	2	3	4	5	6	7	8
IC1	M51202L	Tx	AM	0	1.4	5.8	6.4	0			
			SSB	0	1.4	5.8	6.4	0			
		Rx	No SQUELCH	0	1.3 ~6	5.8	6.4	0			
			SQUELCH	4.7	1.3 ~6	0	6.4	0			
IC2	SL1640C	Tx		0	0	0	0	0	0	0	0
		Rx		0	3.6	3.6	7.8	6.9	6.1	3.6	0
IC3	SL1640C	Tx		0	3.6	3.6	7.8	6.9	6.4	3.6	0
		Rx		0	0	0	0	0	0	0	0
IC4	M51182L			5.4	9.8	0	1.2	0	4.9	0.7	9.8