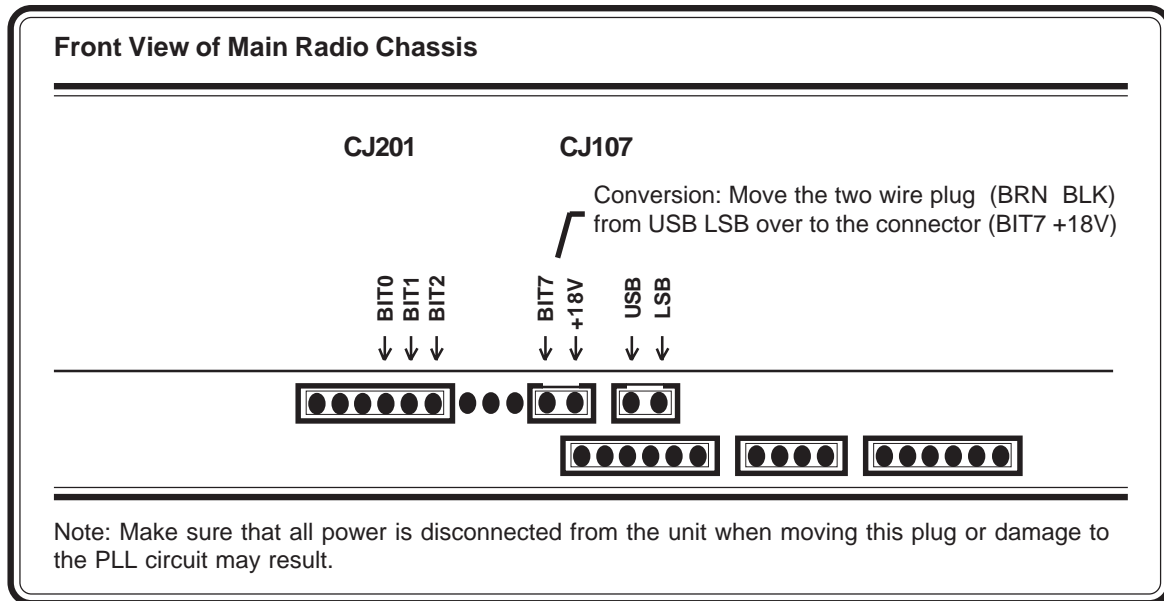


MAGNUM 3200B EXPORT FREQUENCY CONVERSION



Introduction:

The Magnum 3200B is programmed for the 10 Meter Amateur Band out of the box, and covers a range of 28.315 - 29.655 Mhz. The frequency range can be extended for Export Use into 8 Band segments each containing 40 Channels.

10 Meter Mode:

This is the factory default mode and requires Jumper Plug at CJ107 to be in the USB/LSB position.

Export Mode:

This mode allows full 8 Band coverage from .25.165 Mhz - 28.755 Mhz and requires Jumper Plug at CJ107 to be in the BIT7/+18V position.

Clarifier:

The clarifier does track both Transmit and Receive at approximately +/- 5 KHz off of Center Frequency. Modification is not necessary for normal operation using the Coarse and Fine Tuning controls. The Frequency Range can be extended up to 10 KHz by jumping the resistor on the Grounded side of the Coarse Control Pot. However, making this mod will offset the Control so it will no longer be straight up on Center Frequency.

RF Power:

The Transmit RF Power can be adjusted using the control pots on the Main Board. It is Not Recommended that the AM/FM Power be increased more than 10 Watts Output. SSB Output should be around 25 - 35 Watts. Adjustment pots: (AM/FM Power = VR-13) (SSB ALC = VR-12) (AMC = VR-14).

AMC Limiter:

The AMC (Automatic Modulation Limiter) is set very tight on this unit and can be adjusted via pot VR-14. Some people prefer to disable the circuit entirely. This can be accomplished by removing the Transistor TR-32 on the Main Chassis. Clipping this part is messy and can cause a damaging short if the legs aren't properly clipped. Unsoldering the part is preferred, but the Radio Chassis will have to be tilted out to get to the bottom of the board. The best way to reach the bottom is to remove two screws on the rear panel - Remove two screws at the front of the chassis (Don't forget which screws went where - they are different) Place the Radio on it's face and roll the chassis down to reach the bottom side. (Remove TR-32)

MAGNUM 3200B EXPORT FREQUENCY CONVERSION

Frequency Chart

Ch.	Band A	Band B	Band C	Band D	Band E	Band F	Band G	Band H
1	25.165	25.615	26.065	26.515	26.965	27.415	27.865	28.315
2	25.175	25.625	26.075	26.525	26.975	27.425	27.875	28.325
3	25.185	25.635	26.085	26.535	26.985	27.435	27.885	28.335
4	25.205	25.655	26.105	26.555	27.005	27.455	27.905	28.355
5	25.215	25.665	26.115	26.565	27.015	27.465	27.915	28.365
6	25.225	25.675	26.125	26.575	27.025	27.475	27.925	28.375
7	25.235	25.685	26.135	26.585	27.035	27.485	27.935	28.385
8	25.255	25.705	26.155	26.605	27.055	27.505	27.955	28.405
9	25.265	25.715	26.165	26.615	27.065	27.515	27.965	28.415
10	25.275	25.725	26.175	26.625	27.075	27.525	27.975	28.425
11	25.285	25.735	26.185	26.635	27.085	27.535	27.985	28.435
12	25.305	25.755	26.205	26.655	27.105	27.555	28.005	28.455
13	25.315	25.765	26.215	26.665	27.115	27.565	28.015	28.465
14	25.325	25.775	26.225	26.675	27.125	27.575	28.025	28.475
15	25.335	25.785	26.235	26.685	27.135	27.585	28.035	28.485
16	25.355	25.805	26.255	26.705	27.155	27.605	28.055	28.505
17	25.365	25.815	26.265	26.715	27.165	27.615	28.065	28.515
18	25.375	25.825	26.275	26.725	27.175	27.625	28.075	28.525
19	25.385	25.835	26.285	26.735	27.185	27.635	28.085	28.535
20	25.405	25.855	26.305	26.755	27.205	27.655	28.105	28.555
21	25.415	25.865	26.315	26.765	27.215	27.665	28.115	28.565
22	25.425	25.875	26.325	26.775	27.225	27.675	28.125	28.575
23	25.455	25.905	26.355	26.805	27.255	27.705	28.155	28.605
24	25.435	25.885	26.335	26.785	27.235	27.685	28.135	28.585
25	25.445	25.895	26.345	26.795	27.245	27.695	28.145	28.595
26	25.465	25.915	26.365	26.815	27.265	27.715	28.165	28.615
27	25.475	25.925	26.375	26.825	27.275	27.725	28.175	28.625
28	25.485	25.935	26.385	26.835	27.285	27.735	28.185	28.635
29	25.495	25.945	26.395	26.845	27.295	27.745	28.195	28.645
30	25.505	25.955	26.405	26.855	27.305	27.755	28.205	28.655
31	25.515	25.965	26.415	26.865	27.315	27.765	28.215	28.665
32	25.525	25.975	26.425	26.875	27.325	27.775	28.225	28.675
33	25.535	25.985	26.435	26.885	27.335	27.785	28.235	28.685
34	25.545	25.995	26.445	26.895	27.345	27.795	28.245	28.695
35	25.555	26.005	26.455	26.905	27.355	27.805	28.255	28.705
36	25.565	26.015	26.465	26.915	27.365	27.815	28.265	28.715
37	25.575	26.025	26.475	26.925	27.375	27.825	28.275	28.725
38	25.585	26.035	26.485	26.935	27.385	27.835	28.285	28.735
39	25.595	26.045	26.495	26.945	27.395	27.845	28.295	28.745
40	25.605	26.055	26.505	26.955	27.405	27.855	28.305	28.755