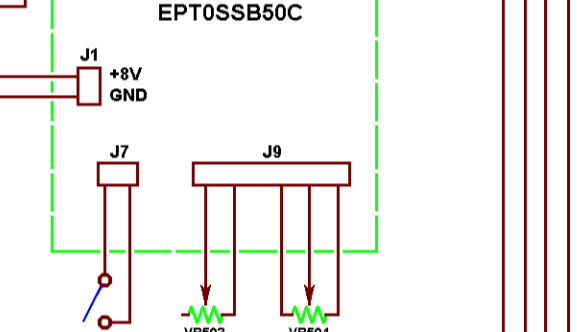
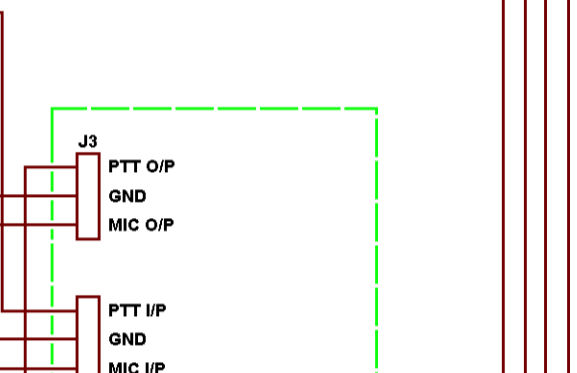
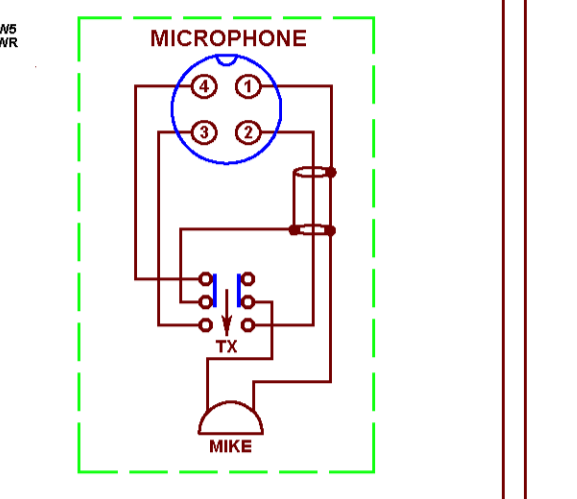
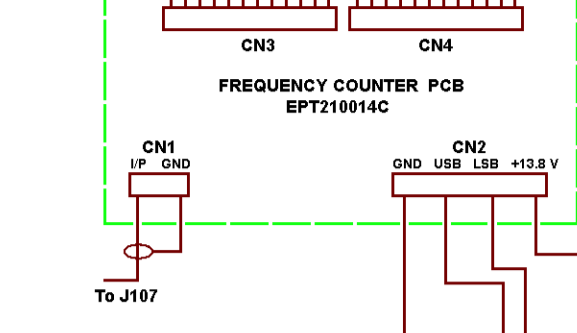


8888



NOTES:  
If you find any errors or omissions, please let know the value of the component and/or circuit reference.  
Please E-Mail me and I will correct them.