

This Manual is provided by
CBTricks.com

Someone who wanted to help you repair your equipment
scanned this manual.

If you would like to help us put more manuals online support us.

Supporters of CBTricks.com paid for the hosting so you would have this file.

CBTricks.com is a non-commercial personal website was created to help promote the exchange of service, modification, technically oriented information, and historical information aimed at the Citizens Band, GMRS (CB "A" Band), MURS, Amateur Radios and RF Amps.

CBTricks.com is not sponsored by or connected to any Retailer, Radio, Antenna Manufacturer or Amp Manufacturer, or affiliated with any site links shown in the links database. The use of product or company names on my web site is not endorsement of that product or company.

If your company would like to provide technical information to be featured on this site I will put up on the site as long as I can do it in a non-commercial way.

The site is supported with donation from users, friends and selling of the Galaxy Service Manual CD to cover some of the costs of having this website on the Internet instead of relying on banner ads, pop-up ads, commercial links, etc. to pay my costs. Thus I do not accept advertising banners or pop-up/pop-under advertising or other marketing/sales links or gimmicks on my website.

ALL the money from donations is used for CBTricks.com I didn't do all the work to make money (I have a day job). This work was not done for someone else to make money also, for example the ebay CD sellers.

All Trademarks, Logos, and Brand Names are the property of their respective owners.
This information is not provided by, or affiliated in any way with any radio or antenna Manufacturers.
Thank you for any support you can give.

RCA

Type No. 17705 (12 Volt DC) and Type No. 17705A (6 Volt DC)

POWER SUPPLIES

For use with the RCA Mark VIII Citizens' Band Transceiver

The RCA Type 17705 (12 V) and 17705A (6 V) power supplies are designed for use with the RCA Mark VIII Citizens' Band Transceiver for mobile operation using a DC battery power source.

The instructions given below pertain to an automobile installation, however the equipment can also be mounted in trucks, tractors, or boats in a similar manner.

This sheet contains a parts list, installation instructions, schematic diagram, and voltage conversion instructions for both the 17705 and 17705A power supplies.

This carton contains the following items:

<i>Quantity</i>	<i>Description</i>
1	Power Supply, RCA Type No. 17705 (12 volt DC) or No. 17705A (6 volt DC) for MARK VIII Transceiver
1	Mounting Strap
1	Hanger Bracket
1	Envelope, containing the following items:
2	Screws, No. 6, Self Tapping
2	Washer, No. 6, Internal Tooth, Lock
8	Screw, No. 10, Self Tapping
8	Washer, No. 10, Internal Tooth, Lock
1	Nut, No. 8, Hex
1	Washer, No. 8, Internal Tooth, Lock
1	Grounding Strap, Metal Braid, 12 inch
1	Solder Terminal
1	Instruction/Parts List,—This sheet.

Power Supply Installation

1. Position the RCA Type No. 17705 Power Supply on the "fire wall" of the automobile within its cable length of the Mark VIII location.
2. Mark and drill four 9/64" mounting holes for No. 10 self tapping screws.
3. Mount the power supply with four of the No. 10 self tapping screws and No. 10 lock washers.
4. Solder one end of the metal braid grounding strap to the solder lug on the power supply.
5. Solder the extra solder lug to the other end of the ground strap. Connect this lug to a good auto body ground using a No. 10 self tapping screw and No. 10 washer, drill a 9/64" hole for this if required.
6. Connect single wire from fuse holder to battery supply (accessory terminal on ignition switch).
7. Place long side of Mark VIII mounting bracket under "dash" (with "L" shaped ends of bracket down) where unit is to be mounted.
8. Mark and drill two 9/64" holes to match those in bracket in lower edge of dash. Mount bracket with No. 10 self tapping screws and No. 10 lockwashers.
9. Fasten Mark VIII in bracket with two No. 6 self tapping screws and No. 6 lockwashers, use most convenient of the three sets of holes provided in bottom of Mark VIII case.
10. Position and form mounting strap to stabilize unit.
11. Fasten one end of mounting strap to threaded stud on Mark VIII cabinet. Use a No. 8 lockwasher and 8-32 nut.
12. Secure the other end of the strap to the automobile with a No. 10 self tapping screw and No. 10 washer.
13. Plug power supply cable into Mark VIII, and connect antenna.



Trademark(s) ® Registered
Marca(s) Registrada(s)

RADIO CORPORATION OF AMERICA
ELECTRON TUBE DIVISION, HARRISON, N. J.
ELECTRONIC INSTRUMENTS, CAMDEN, N. J.

EI Form 118(1) 9-62
Printed in U.S.A.

Conversion of RCA Type No. 17705 12 Volt Power Supply for Operation on 6 Volts

CAUTION: Make sure that power to the unit has been disconnected before proceeding with the following steps.

1. Unsolder the terminal board end of the wire from pin 2 of the vibrator socket. It is soldered to the terminal with the black lead from T-101. Connect this end of the wire to the terminal with the white lead from T-101 and solder.
2. Unsolder the terminal board end of the wire from vibrator socket pin 3. It is soldered to terminal with the yellow lead from T-101. Connect this end of the wire to the terminal with the green lead from T-101 and solder.
3. Remove the 12 volt vibrator from socket and replace with 6 V vibrator, RCA Stock No. 220000.
4. Remove 8 amp slo-blo fuse from the fuse holder and install 10 amp slo-blo fuse, RCA Stock No. 212156.
5. Rewire power cable socket: To remove socket cover, place a small pointed punch against the headless end of the cover retaining pin. A light tap will

6V DC

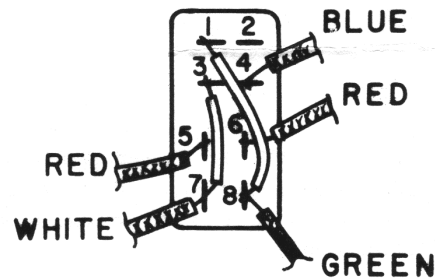


Figure 1. Conversion for 6 Volt Operation

move pin head out so that it may be removed with slight twisting counter clockwise pull.

6. Remove jumper from pin 1 and pin 7 of power cable socket.
7. Solder jumper wire between pin 1 and pin 8, and between pin 3 and pin 7. See illustration. Reassemble cover and socket.

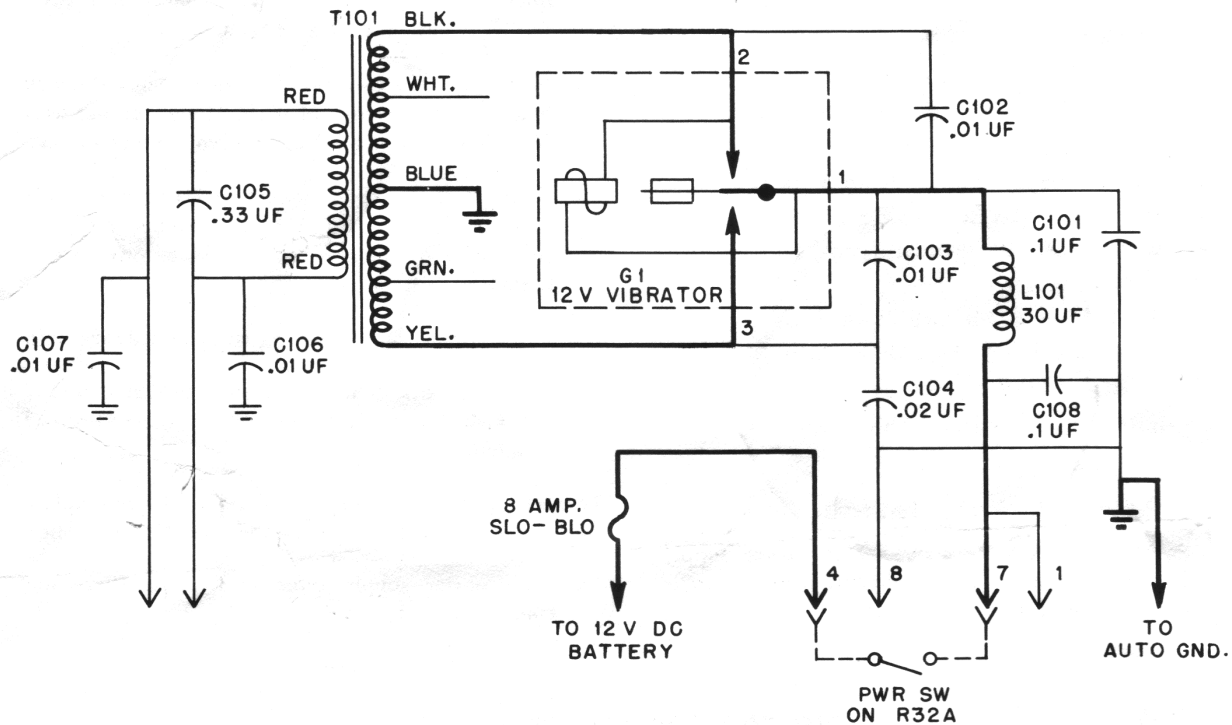


Figure 2. Schematic, 12 Volt Power Supply

Conversion of RCA Type No. 17705A 6 Volt Power Supply for Operation on 12 Volts

CAUTION: Make sure that power to the unit has been disconnected before proceeding with the following steps.

1. Unsolder the terminal board end of the wire from pin 2 of the vibrator socket. It is soldered to the same terminal as the white lead from T-101. Connect this end of the wire to the terminal with the black lead from T-101 and solder.
2. Unsolder the terminal board end of the wire from vibrator socket pin 3. It is soldered to terminal with the green lead from T-101. Connect this end of the wire to the terminal with the yellow lead from T-101 and solder.
3. Remove the 6 volt vibrator from socket, and replace with 12 volt vibrator, RCA Stock No. 220001.
4. Remove 10 amp slo-blo fuse from the fuse holder and install the 8 amp slo-blo fuse, RCA Stock No. 214876.
5. Rewire power cable socket: To remove socket cover, place a small pointed punch against the headless end of the cover retaining pin. A light tap will

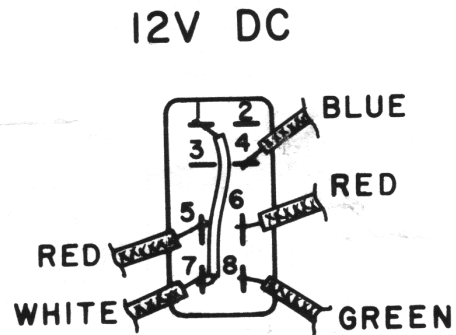


Figure 3. Conversion for 12 Volt Operation

move pin head out so that it may be removed with slight twisting counter clockwise pull.

6. Remove jumper wire from pins 1 and 8 and pins 3 and 7 of the power cable socket.
7. Solder a jumper wire between pin 1 and pin 7 of power cable socket. See illustration, reassemble cover and socket.

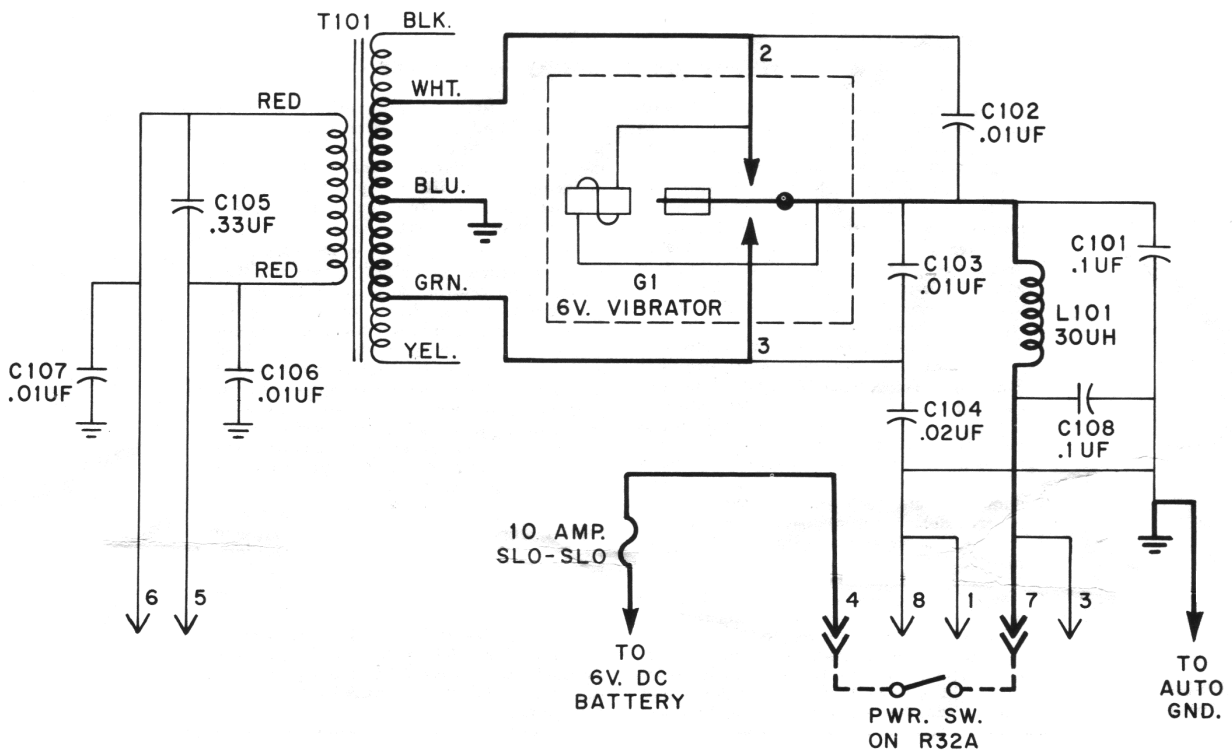


Figure 4. Schematic, 6 Volt Power Supply

Replacement Parts List

RCA Type No. 17705 or RCA Type No. 17705A Power Supply

Order replacement parts by RCA Stock Number, through a local RCA distributor.

Symbol No.	Description	Stock No.
Capacitors		
C101, C108 C102, C103	Ceramic, 0.1 uf, +80 -20%, 50 v	223142
C106, C107	Ceramic, 0.01 uf, +80 -20%, 500 v	205656
C104	Ceramic, 0.02 uf, +80 -20%, 500 v	210685
C105	Paper, 0.33 uf, ±20%, 600 v (Buffer)	
G1	Vibrator, Non-synchronous, 6V, 115 cps, for Type No. 17705A or 12V, 115 cps, for Type No. 17705	220000 220001
L101	Coil, Hash Filter, 3 microhenry	219982
T101	Transformer, vibrator 6/12 v	226174
XG1	Socket, female, 4 contact, vibrator	31769
Miscellaneous		
	*Cable, 12 V Power cable assembly	226175
	Fuse, 8 amp. Slo-blo (for 12 V)	214876
	Fuse, 10 amp. Slo-blo (for 6 V)	212156
	Holder, fuse	226524
	Mounting strap	226168
	Hanger bracket	227039

*Instructions for 6V operation are included with cable which comes wired for 12V operation.

RCA CITIZENS' BAND RADIO WARRANTY

Radio Corporation of America, hereinafter referred to as "RCA," warrants to the original retail purchaser of this equipment that it will furnish a replacement part (including tubes but excluding batteries) or, at its option, repair any part thereof which proves upon inspection by RCA to have been defective within 90 days from the date of original retail sale by the RCA Dealer, if it was used thereafter solely within the United States of America, in accordance with the terms of this warranty.

This warranty does not apply to any part or parts of this equipment if it has been installed, broken, altered, repaired or misused through negligence or otherwise in a way that in the opinion of RCA affects the reliability of or detracts from the performance of any part or parts of the equipment, or if its serial number or the serial number of any such part or parts has been altered, defaced or removed, nor does this warranty cover replacement or repairs necessitated by loss or damage resulting from any cause beyond the control of RCA, including but not limited to Acts of God, acts of government, floods, fires, shortage of materials, and labor difficulties.

Within 90 days from such purchase, any such defects must be brought to the attention of RCA or an Authorized RCA Citizens' Band Radio Service Depot. If upon exam-

ination by RCA or an Authorized RCA Citizens' Band Radio Service Depot, the part is found to have been defective within the applicable warranty period, RCA will, at its option, furnish the purchaser with a new or rebuilt replacement part, or return the defective part repaired.

The obligation of RCA under this warranty is limited to making a new or RCA rebuilt replacement part, or subassembly available to the purchaser, or repairing the defective part, or subassembly, and does not include the furnishing of any labor involved or connected therewith, such as that required to diagnose the necessity for replacement or repairs, or to remove or install any such parts; nor does it include responsibility for any transportation expenses nor any damages or losses incurred in transportation in connection therewith.

The foregoing is in lieu of all other warranties, express, implied or statutory, and RCA neither assumes nor authorizes any person to assume for it any other obligation or liability in connection with the sale or use of this instrument.

The facilities of RCA and its Authorized Citizens' Band Radio Service Depots are available at a nominal labor charge for the repair and calibration of RCA Citizens' Band Equipment.

Information furnished by RCA is believed to be accurate and reliable. However, no responsibility is assumed by RCA for its use; nor for any infringements of patents or other rights of third parties which may result from its use. No license is granted by implication or otherwise under any patent or patent rights of RCA.