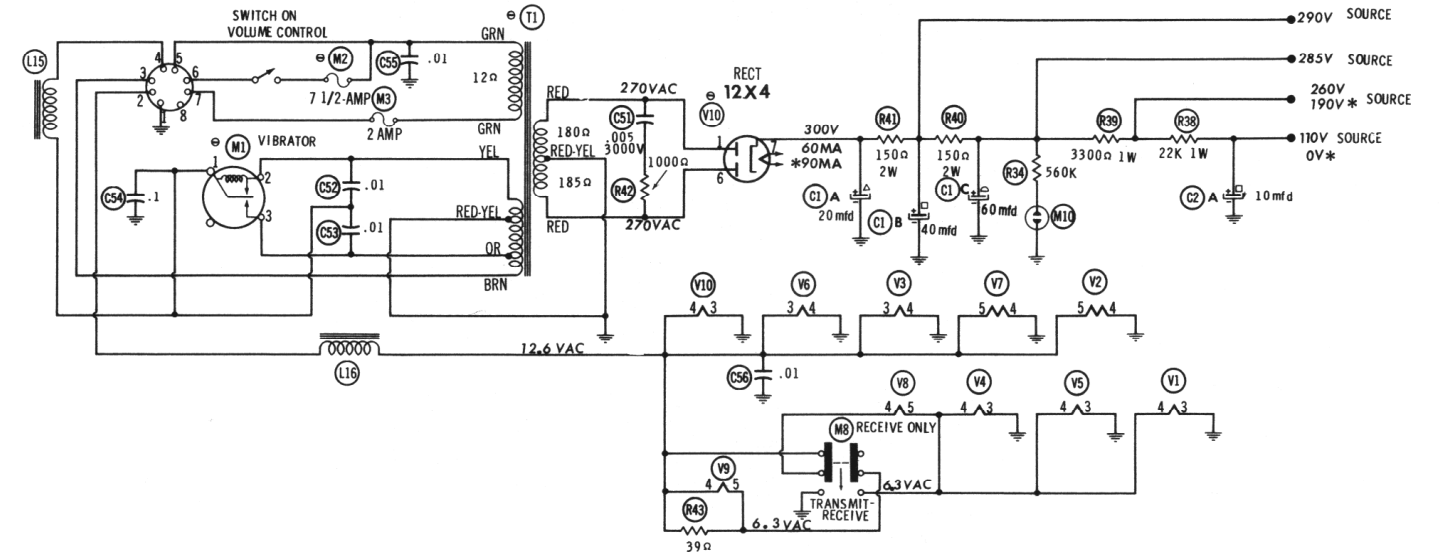
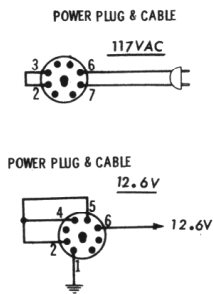


RESISTANCE READINGS

ITEM	TUBE	Pin 1	Pin 2	Pin 3	Pin 4	Pin 5	Pin 6	Pin 7	Pin 8	Pin 9
V1	6BH6	1 meg	0 Ω	FIL	FIL	+56K	+26K	0 Ω		
V2	12AT7	+26K	100K	0 Ω	FIL	FIL	+100K	1 meg	0 Ω	NC
V3	12BE6	33K	330 Ω	FIL	FIL	+10K	+55K	1.3 meg		
V4	6BH6	1.1 meg	470 Ω	FIL	FIL	+100K	+100K	0 Ω		
V5	6BH6	+1 meg	330 Ω	FIL	FIL	+100K	+100K	0 Ω		
V6	12AL5	270K	500K	FIL	FIL	0 Ω	0 Ω	270K		
V7	12AX7	+560K	+3.3 meg	22K	FIL	FIL	+560K	2.2 meg	125K	NC
V8	6AQ5	560K	470 Ω	FIL	FIL	+400 Ω	+300 Ω	560K		
V9	6CX8	+25.4K	100K	+3600 Ω	FIL	FIL	+30K	3300 Ω	+15K	+550 Ω
V10	12X4	450 Ω	TP	FIL	FIL	NC	450 Ω	+100K		

TP TIE POINT
 NC NO CONNECTION
 † MEASURED FROM OUTPUT OF RECTIFIER, PIN 7, V10.
 ● MEASURED WITH ANL SWITCH CLOSED.
 * MEASURED WITH TRANSMIT-RECEIVE-RECEIVE ONLY & SWITCH IN TRANSMIT-RECEIVE POSITION, PUSH-TO-TALK BUTTON DEPRESSED.

- ⊖ See parts list for alternate value or application.
 1. Voltage measurements taken with vacuum tube voltmeter.
 2. All controls set for normal operation, no signal applied.
 3. Measured values are from socket pin or terminal to common ground.
 4. All terminals viewed from bottom unless otherwise designated.
 5. Numbers assigned to terminals may not be found on the unit.
 6. Supply voltage maintained at rated value for voltage readings.



RAYTHEON MODEL RAY-TEL TWR 2