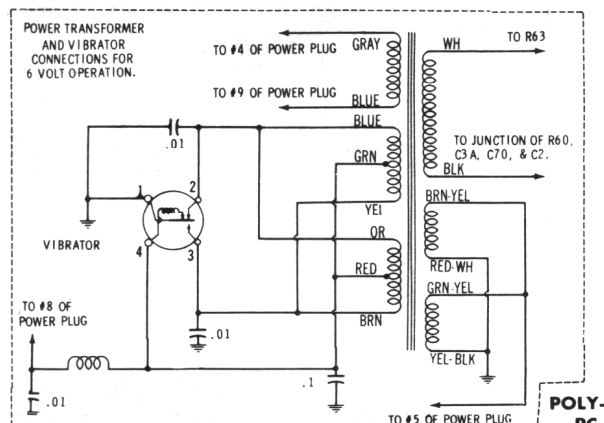


NUMBERS ASSIGNED TO COILS, SWITCHES, PLUGS, SOCKETS, AND TRANSFORMERS ARE TO FACILITATE CIRCUIT TRACING OR COMPONENT REPLACEMENT AND MAY NOT NECESSARILY BE FOUND ON THE UNIT.

RESISTANCE READINGS

ITEM	TUBE	Pin 1	Pin 2	Pin 3	Pin 4	Pin 5	Pin 6	Pin 7	Pin 8	Pin 9
V1	6DS4	+8300Ω		468K				100Ω		
V2	12AT7	+100K	0Ω	1000Ω	FIL	FIL	+3000Ω	133K		FIL
V3	12AT7	+2500Ω	100K	1000Ω	FIL	FIL	+50K	100K	0Ω	FIL
V4	6BJ6	450K	1500Ω	FIL	FIL	+2500Ω	+2500Ω	0Ω		
V5	6BH6	450K	180Ω	FIL	FIL	+2500Ω	+2500Ω	0Ω		
V6	6BH6	6Ω	180Ω	FIL	FIL	+1000Ω	+2500Ω	0Ω		
V7	6AV6	4.8meg	4700Ω	FIL	FIL	NC	NC	+530K		
V8	12AX7A	1500K	1650K	1meg	FIL	FIL	1430K	188K	16K	FIL
V9	6BQ5	NC	470K	150Ω	FIL	FIL	NC	+750Ω	NC	+1000Ω
V10	12BH7A	+1500Ω	+33K	1000Ω	FIL	FIL	+1000Ω	+33K	0Ω	FIL
V11	6BQ5	NC	+15K	0Ω	FIL	FIL	NC	+2000Ω	NC	+2200Ω

ALL READINGS MADE IN "RECEIVE" POSITION UNLESS OTHERWISE DESIGNATED.  
 \* TAKEN IN "TRANSMIT" POSITION, SQUELCH CONTROL FULLY CLOCKWISE. NC NO CONNECTION  
 † MEASURED FROM OUTPUT OF X2. ‡ MEASURED FROM JUNCTION OF R60, C3A.



POLY-COMM MODELS  
PC-N-6, PC-N-12

A PHOTOFAC STANDARD NOTATION SCHEMATIC  
©Howard W. Sams & Co., Inc. 1963