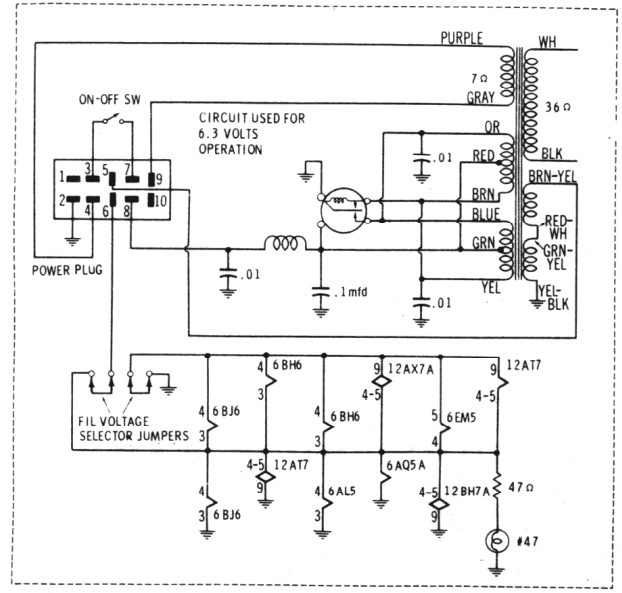


RESISTANCE READINGS

ITEM	TUBE	Pin 1	Pin 2	Pin 3	Pin 4	Pin 5	Pin 6	Pin 7	Pin 8	Pin 9
V1	6BJ6	300K	180Ω	FIL	FIL	+2500Ω	+11K	0Ω		
V2	12A17	+100K	.1Ω	1000Ω	FIL	FIL	+12K	130K	0Ω	FIL
V3	12A17	+2500Ω	100K	1000Ω	FIL	FIL	+55K	100K	0Ω	FIL
V4	6BJ6	300K	180Ω	FIL	FIL	+2500Ω	+2500Ω	0Ω		
V5	6BH6	300K	180Ω	FIL	FIL	+2500Ω	+2500Ω	0Ω		
V6	6BH6	5.5Ω	900Ω	FIL	FIL	+2500Ω	+2500Ω	0Ω		
V7	6AL5	1.8 meg	120K	FIL	FIL	0Ω	0Ω	470K		
V8	12AX7A	+500K	700K	60K	FIL	FIL	390K	160K	15K	FIL
V9	6AQ5A	NC	330Ω	FIL	FIL	+340Ω	+680Ω	470K		
V10	12BH7A	+1500Ω	.33K	0Ω	FIL	FIL	+680Ω	.33K	0Ω	FIL
V11	6EM5	+6800Ω	NC	.16K	FIL	FIL	NC	330Ω	NC	+5400Ω

ALL MEASUREMENTS MADE IN "RECEIVE" POSITION WITH ANL ON WITH MICROPHONE UNLESS OTHERWISE DESIGNATED.
 † MEASURED IN "TRANSMIT" POSITION.
 ‡ MEASURED FROM OUTPUT OF M2.
 § MEASURED FROM JUNCTION OF C2A AND R58. NC NO CONNECTION



- SEE PARTS LIST FOR ALTERNATE VALUE OR APPLICATION
 DC COIL RESISTANCE VALUES UNDER ONE OHM NOT SHOWN ON SCHEMATIC DIAGRAM
 ARROWS ON CONTROLS INDICATE CLOCKWISE ROTATION (CONTROL VIEWED FROM SHAFT END)
- DC voltage measurements taken with vacuum tube voltmeter; AC voltages measured with 1000 ohm per volt voltmeter.
 - Socket connections are shown as bottom views.
 - Measured values are from socket pin to common ground.
 - Line voltage maintained at 117 volts for voltage readings.
 - Nominal tolerance on component values makes possible a variation of ±15% in voltage and resistance readings.
 - Volume control at maximum, no signal applied for voltage measurements.

