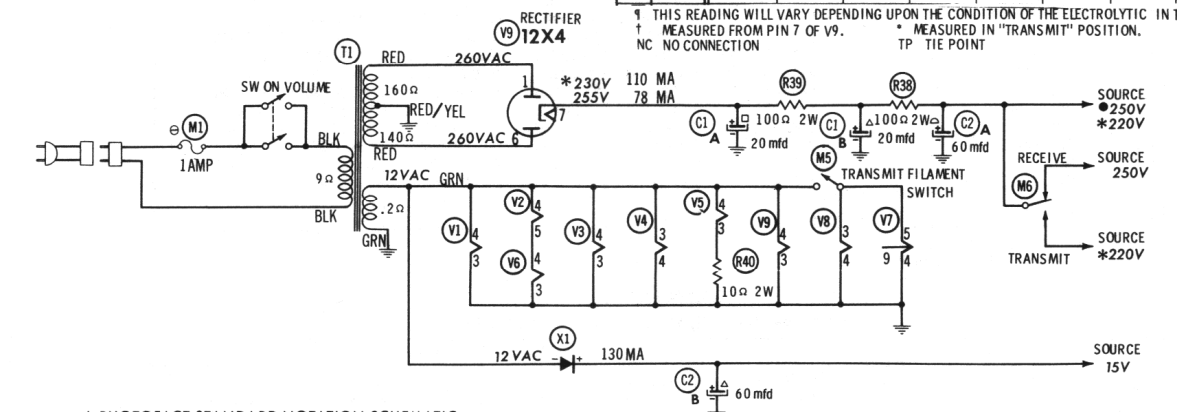
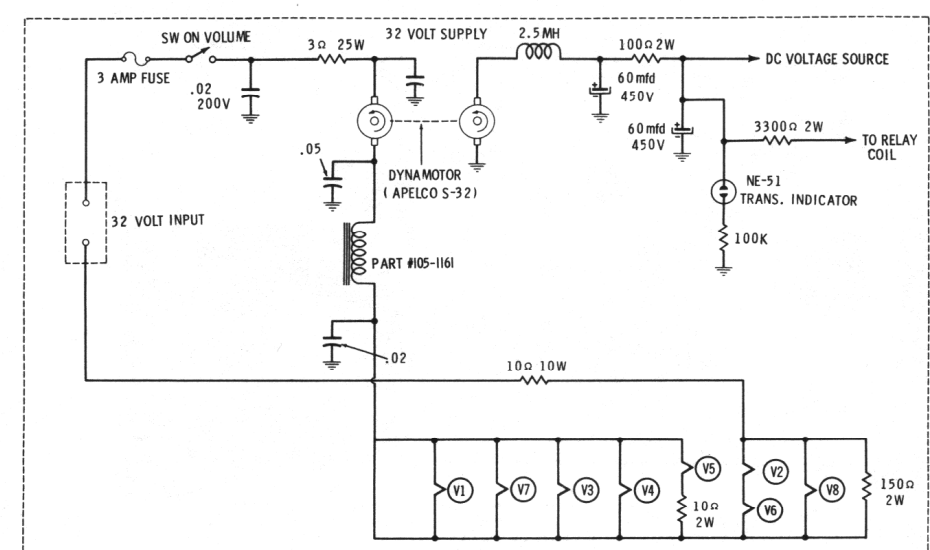


- ⊙ See parts list for alternate value or application.
- 1. Voltage measurements taken with vacuum tube voltmeter.
- 2. All controls set for normal operation, no signal applied.
- 3. Measured values are from socket pin or terminal to common ground.
- 4. All terminals viewed from bottom unless otherwise designated.
- 5. Numbers assigned to terminals may not be found on the unit.
- 6. Supply voltage maintained at rated value for voltage readings.

**RESISTANCE READINGS**

ITEM	TUBE	Pin 1	Pin 2	Pin 3	Pin 4	Pin 5	Pin 6	Pin 7	Pin 8	Pin 9
V1	12AU6	2 meg	0 Ω	FIL	FIL	†200 Ω	†100K	0 Ω		
V2	6U8	†10.2K	0 Ω	†100K	FIL	FIL	†3500 Ω	2200 Ω	0 Ω	100K
V3	12BA6	2 meg	0 Ω	FIL	FIL	†11.2K	†11.2K	0 Ω		
V4	12CR6	0 Ω	540K	FIL	FIL	†270K	†1 meg	2.2 meg		
V5	12AL5	†1.2 meg	270K	FIL	FIL	2.5 meg	0 Ω	†2.1 meg		
V6	6AQ5	560K	330 Ω	FIL	FIL	†465 Ω	†200 Ω	560K	†820 Ω	
V7	12AU7	†1550 Ω	22K	0 Ω	FIL	FIL	†10.2K	10K	0 Ω	FIL
V8	12AQ5	NC	*0 Ω	FIL	FIL	†685 Ω	†10.2K	10K		
V9	12X4	150 Ω	TP	FIL	FIL	150 Ω	†			

† THIS READING WILL VARY DEPENDING UPON THE CONDITION OF THE ELECTROLYTIC IN THE CIRCUIT.  
 † MEASURED FROM PIN 7 OF V9. \* MEASURED IN "TRANSMIT" POSITION.  
 NC NO CONNECTION TP TIE POINT



A PHOTOFAC STANDARD NOTATION SCHEMATIC  
 ©Howard W. Sams & Co., Inc. 1963