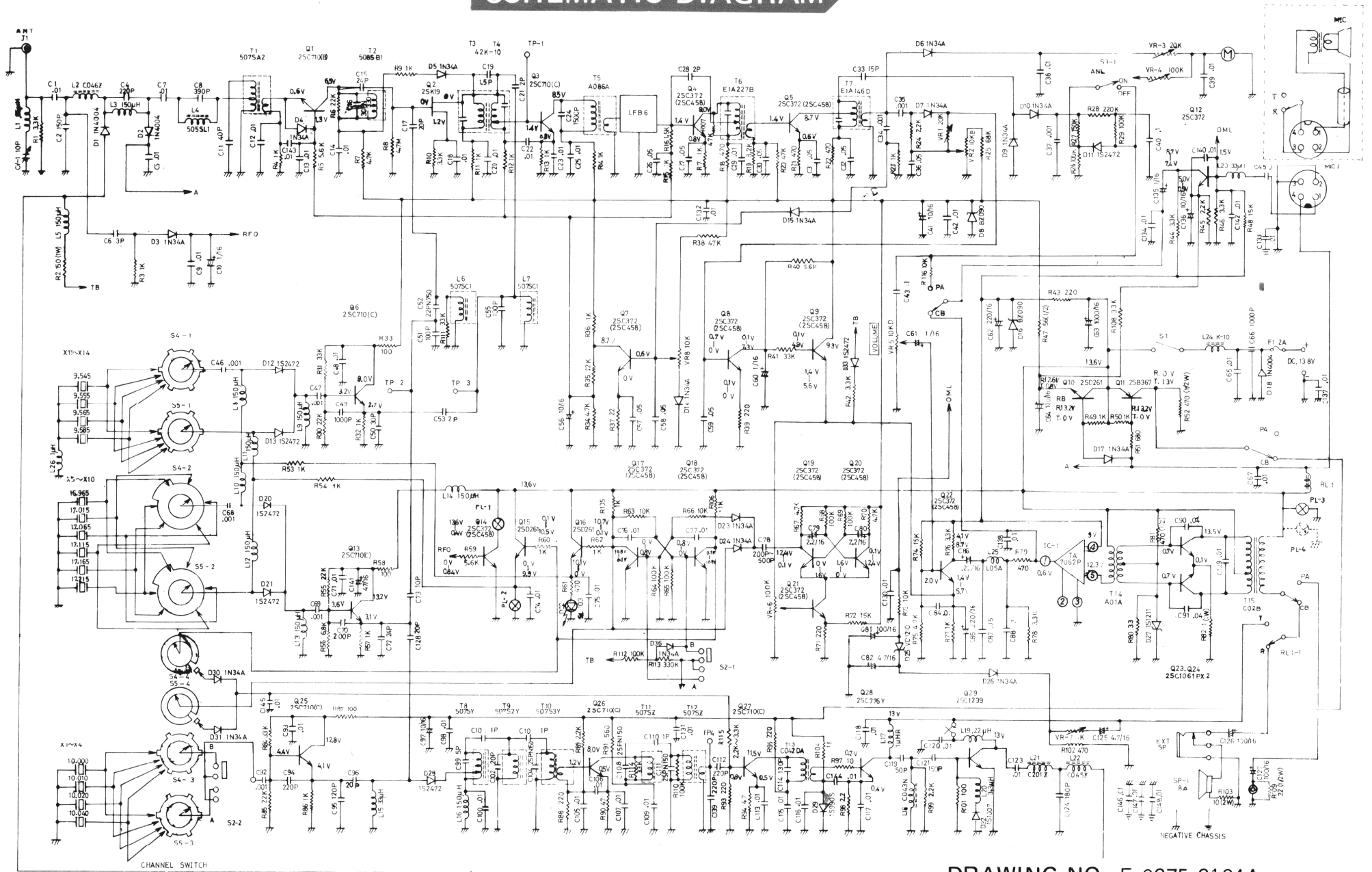


SCHEMATIC DIAGRAM



DRAWING NO. E-0275-2184A