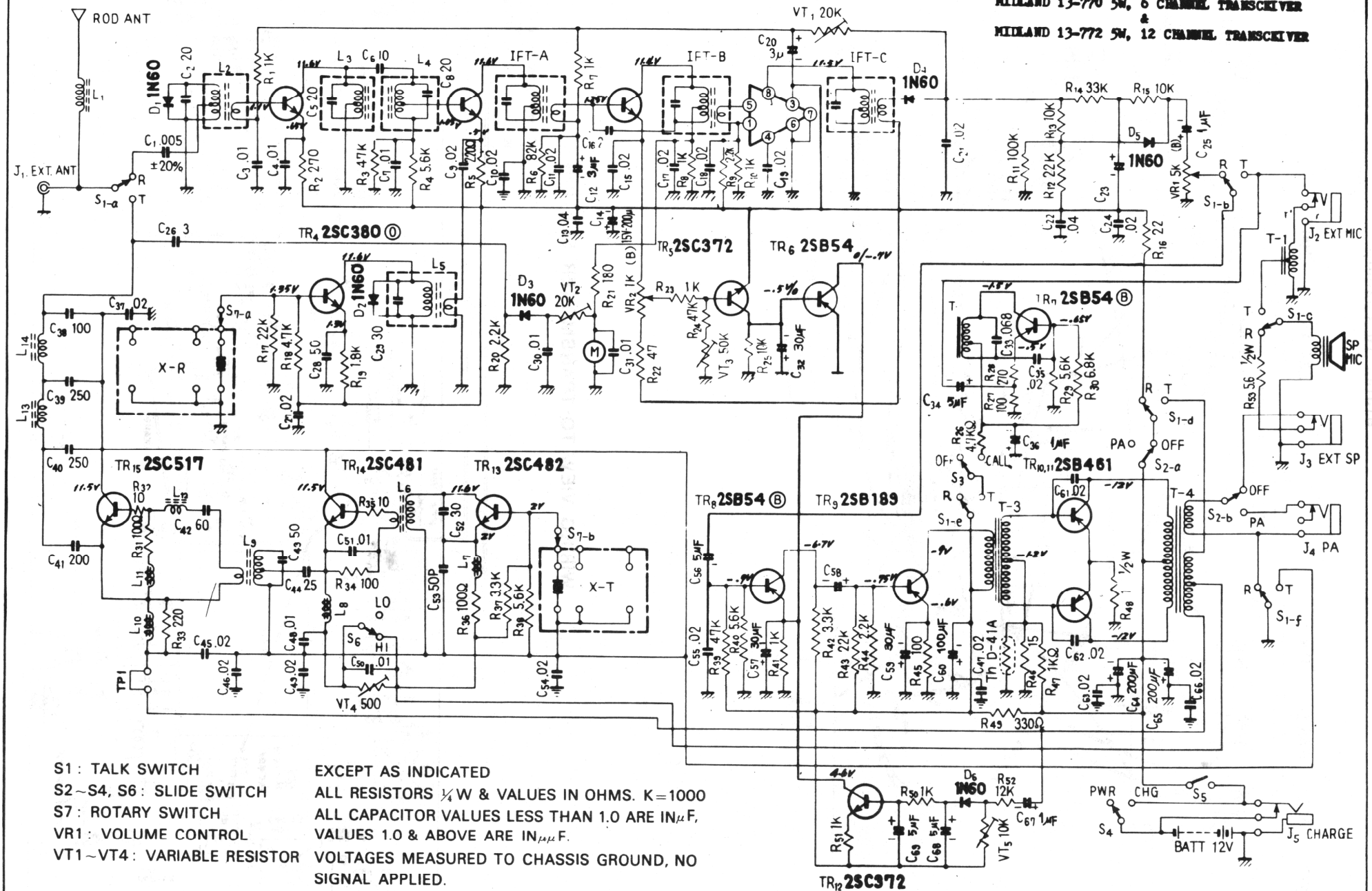


TR<sub>1</sub> 2SC394 ①TR<sub>2</sub> 2SC380 ①TR<sub>3</sub> 2SC380 ①IC<sub>1</sub> CA-3028 ①

## SCHEMATIC DIAGRAM

MILAND 13-770 SW, 6 CHANNEL TRANSMITTER  
&  
MILAND 13-772 SW, 12 CHANNEL TRANSMITTER

S1: TALK SWITCH

S2~S4, S6: SLIDE SWITCH

S7: ROTARY SWITCH

VR1: VOLUME CONTROL

VT1~VT4: VARIABLE RESISTOR

EXCEPT AS INDICATED

ALL RESISTORS 1/4 W &amp; VALUES IN OHMS. K=1000

ALL CAPACITOR VALUES LESS THAN 1.0 ARE IN  $\mu$ F,  
VALUES 1.0 & ABOVE ARE IN  $\mu$ F.VOLTAGES MEASURED TO CHASSIS GROUND, NO  
SIGNAL APPLIED.TR<sub>12</sub> 2SC972