

RESISTANCE MEASUREMENTS NOT GIVEN BECAUSE OF THE WIDE VARIATION IN INTERNAL TRANSISTOR RESISTANCE.

NUMBERS ASSIGNED TO COILS, SWITCHES, PLUGS, SOCKETS, AND TRANSFORMERS ARE TO FACILITATE CIRCUIT TRACING OR COMPONENT REPLACEMENT AND MAY NOT NECESSARILY BE FOUND ON THE UNIT.

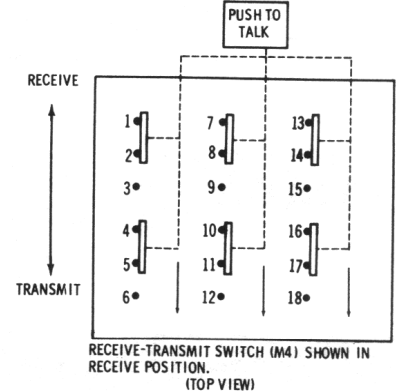
▲ MEASURED IN TRANSMIT POSITION.

● SEE PARTS LIST FOR ALTERNATE VALUE OR APPLICATION

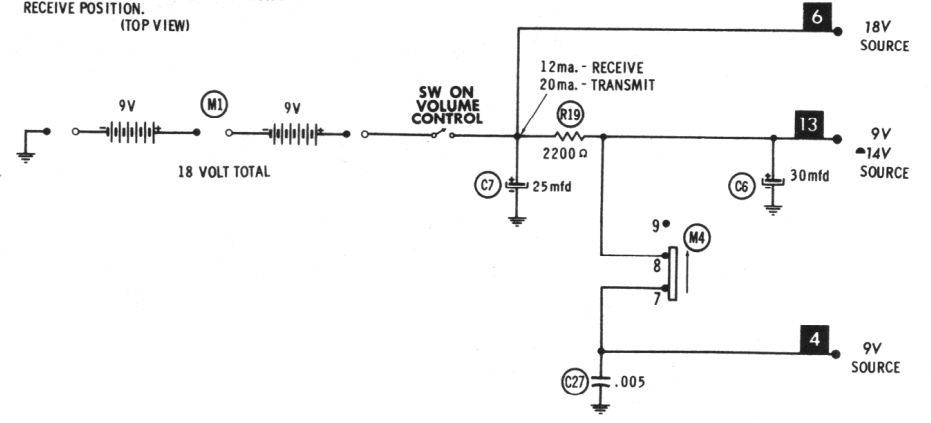
1. DC voltage measurements taken with vacuum tube voltmeter.
2. Socket connections or transistor terminals are shown as bottom views.
3. Measured values are from socket pin or terminal to common ground.
4. Nominal tolerance on component values makes possible a variation of ±15% in voltage and resistance readings.
5. Volume control at maximum, no signal applied for voltage measurements.

A PHOTOFACIT STANDARD NOTATION SCHEMATIC with CIRCUITRACE

© Howard W. Sams & Co., Inc. 1962



RECEIVE-TRANSMIT SWITCH (M4) SHOWN IN RECEIVE POSITION. (TOP VIEW)



MAGNAVOX MODEL WT101