

**This Manual is provided by**  
**CBTricks.com**

Someone who wanted to help you repair your equipment  
scanned this manual.

If you would like to help us put more manuals online support us.

Supporters of CBTricks.com paid for the hosting so you would have this file.

CBTricks.com is a non-commercial personal website was created to help promote the exchange of service, modification, technically oriented information, and historical information aimed at the Citizens Band, GMRS (CB "A" Band), MURS, Amateur Radios and RF Amps.

CBTricks.com is not sponsored by or connected to any Retailer, Radio, Antenna Manufacturer or Amp Manufacturer, or affiliated with any site links shown in the links database. The use of product or company names on my web site is not endorsement of that product or company.

If your company would like to provide technical information to be featured on this site I will put up on the site as long as I can do it in a non-commercial way.

The site is supported with donation from users, friends and selling of the Galaxy Service Manual CD to cover some of the costs of having this website on the Internet instead of relying on banner ads, pop-up ads, commercial links, etc. to pay my costs. Thus I do not accept advertising banners or pop-up/pop-under advertising or other marketing/sales links or gimmicks on my website.

ALL the money from donations is used for CBTricks.com I didn't do all the work to make money (I have a day job). This work was not done for someone else to make money also, for example the ebay CD sellers.

All Trademarks, Logos, and Brand Names are the property of their respective owners.  
This information is not provided by, or affiliated in any way with any radio or antenna Manufacturers.  
Thank you for any support you can give.

PHOTOFACT® Folder

with CIRCUITRACE®

MAGNAVOX MODEL  
WT101



**NOTICE**

ONLY THOSE PERSONS PROPERLY LICENSED ARE PERMITTED TO MAKE ADJUSTMENTS OR REPAIRS WHICH MAY RESULT IN ILLEGAL OPERATION. (REFER TO FCC RULES & REGULATIONS PART 19, SUBPART D, SECTION 19.71).

TRADE NAME	Magnavox Model WT101		
MANUFACTURER	The Magnavox Co., 2131 Bueter Road, Fort Wayne 4, Indiana		
TYPE SET	Battery Operated 8 Transistor Single Band Portable Citizens Band Transmitter-Receiver		
POWER SUPPLY	18 Volts DC	RATING	12MA @18 Volts DC (Receive) 20MA @18 Volts DC (Transmit)
TUNING RANGE	Any One of Citizens Band Channels 1 thru 23		

**ALIGNMENT INSTRUCTIONS**

ALIGNMENT INSTRUCTIONS—READ CAREFULLY BEFORE ATTEMPTING ALIGNMENT

Best results will be obtained when adjusting A6 and A7 if the antenna normally used is connected, and the unit is as nearly in the cabinet as possible.

Suggested Alignment Tools:

A1, A2, A3..... GENERAL CEMENT #8607, 9291, 9294  
WALSCO #2520, 2522, 2523, 2524, 2534, 2537, 2538

RECEIVER ALIGNMENT

Connect VTVM across Volume Control.

	SIGNAL GENERATOR	CHANNEL	ADJUST	REMARKS
1.	Tune to 455KC (Unmod.) . Fashion loop of several turns of wire and radiate signal into loop of receiver.	Unused Channel	A1, A2, A3	Adjust for maximum deflection.
2.	Tune to Crystal Frequency. Fashion loop of several turns of wire and radiate signal into loop of receiver.	Channel Frequency	A4	"

TRANSMITTER ALIGNMENT

ONLY THOSE PERSONS PROPERLY LICENSED ARE PERMITTED TO MAKE REPAIRS OR ADJUSTMENTS WHICH MAY RESULT IN ILLEGAL OPERATION. (REFER TO FCC RULES & REGULATIONS PART 19, SUBPART D, SECTION 19.71)

	SPECIAL INSTRUCTIONS	INDICATOR	ADJUST	REMARKS
3.	Connect suitable load to antenna receptacle.	DC VTVM between point $\Delta$ and ground.	A5	Adjust for maximum deflection while rocking A5, Note rate of dropoff. Set just below peak on side of gradual dropoff.
4.	"	RF Wattmeter or field strength meter.	A6, A7	Adjust for maximum deflection. Repeat adjustments.

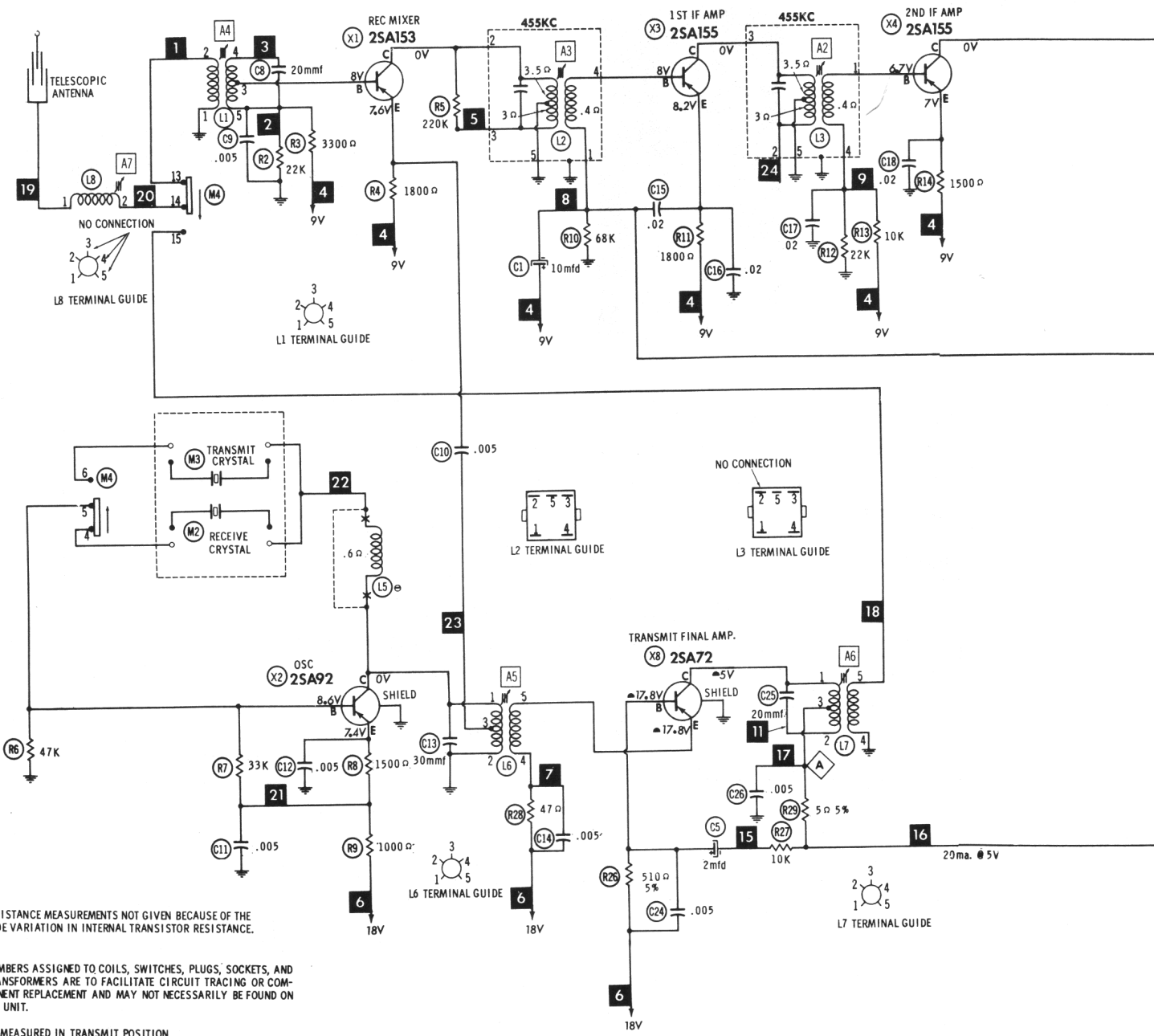
**HOWARD W. SAMS & CO., INC. Indianapolis 6, Indiana**



The listing of any available replacement part herein does not constitute in any case a recommendation, warranty or guaranty by Howard W. Sams & Co., Inc., as to the quality and suitability of such replacement part. The numbers of these parts have been compiled from information furnished to Howard W. Sams & Co., Inc., by the manufacturers of LY571

the particular type of replacement part listed. Reproduction or use, without express permission, of editorial or pictorial content, in any manner, is prohibited. No patent liability is assumed with respect to the use of the information contained herein. ©1962 Howard W. Sams & Co., Inc., Indianapolis 6, Indiana. Printed in U.S. of America

MAGNAVOX MODEL  
WT101



RESISTANCE MEASUREMENTS NOT GIVEN BECAUSE OF THE WIDE VARIATION IN INTERNAL TRANSISTOR RESISTANCE.

NUMBERS ASSIGNED TO COILS, SWITCHES, PLUGS, SOCKETS, AND TRANSFORMERS ARE TO FACILITATE CIRCUIT TRACING OR COMPONENT REPLACEMENT AND MAY NOT NECESSARILY BE FOUND ON THE UNIT.

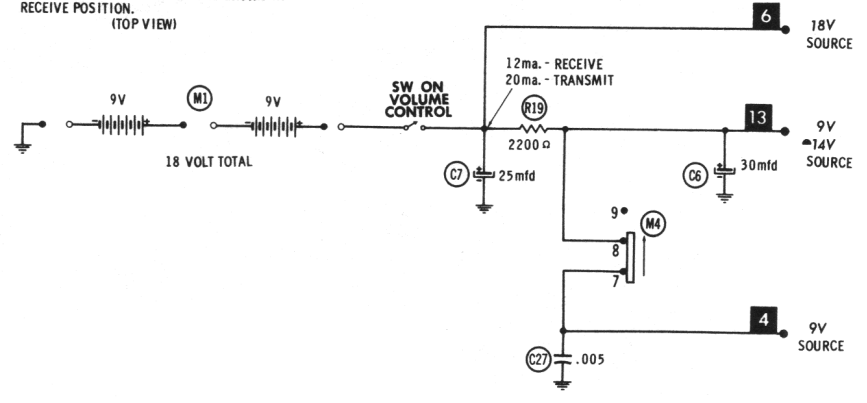
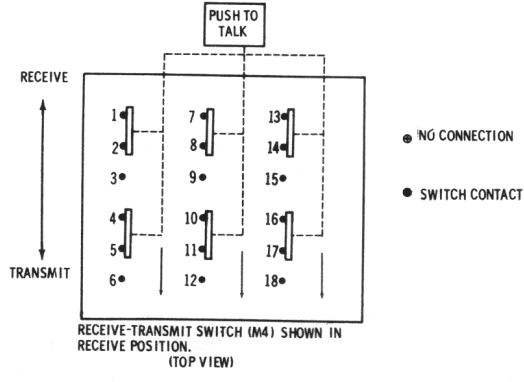
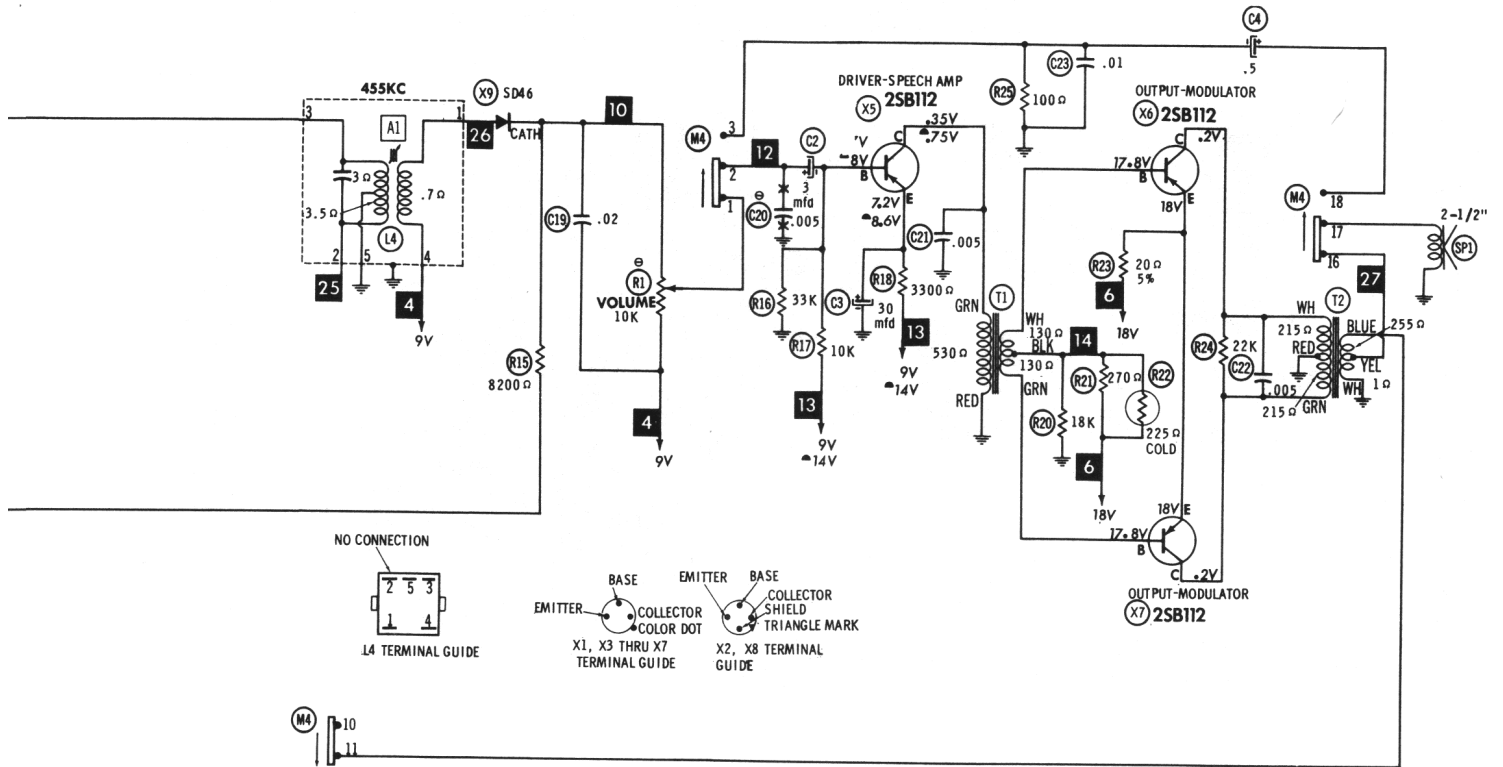
➤ MEASURED IN TRANSMIT POSITION.

⊙ SEE PARTS LIST FOR ALTERNATE VALUE OR APPLICATION

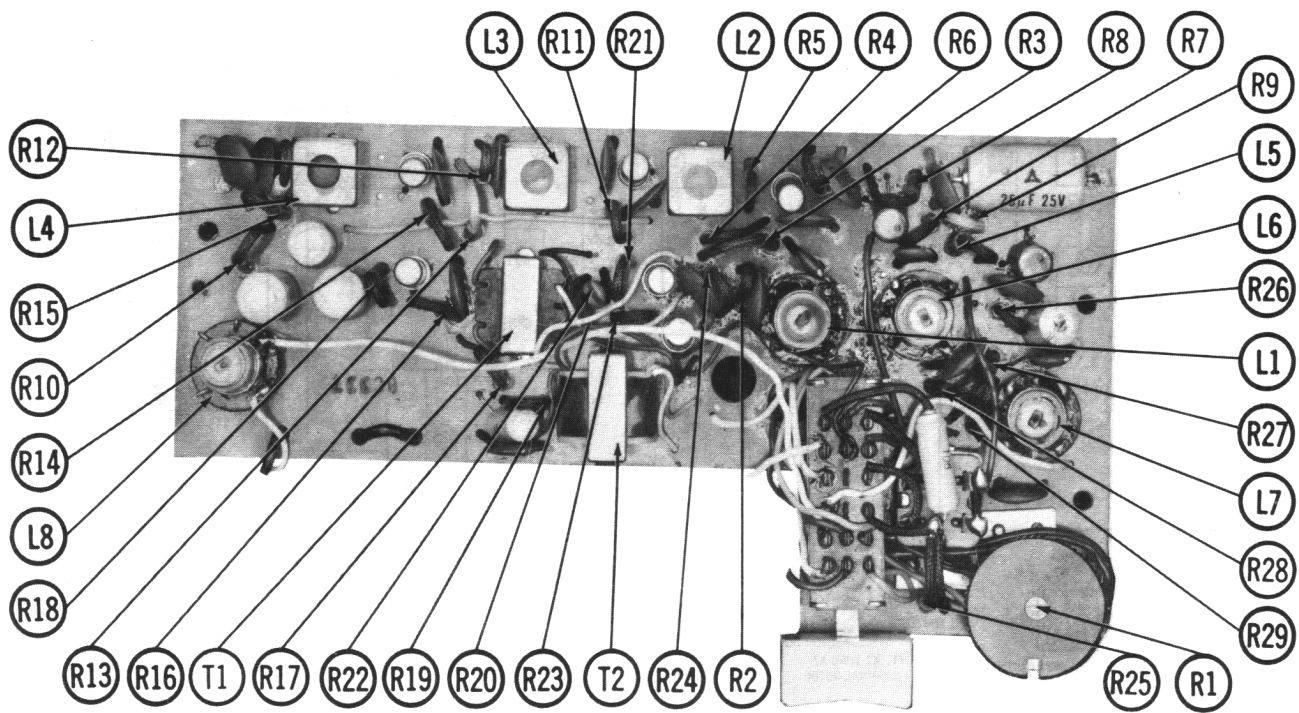
1. DC voltage measurements taken with vacuum tube voltmeter.
2. Socket connections or transistor terminals are shown as bottom views.
3. Measured values are from socket pin or terminal to common ground.
4. Nominal tolerance on component values makes possible a variation of ±15% in voltage and resistance readings.
5. Volume control at maximum, no signal applied for voltage measurements.

A PHOTOFACIT STANDARD NOTATION SCHEMATIC with **CIRCUITRACE**

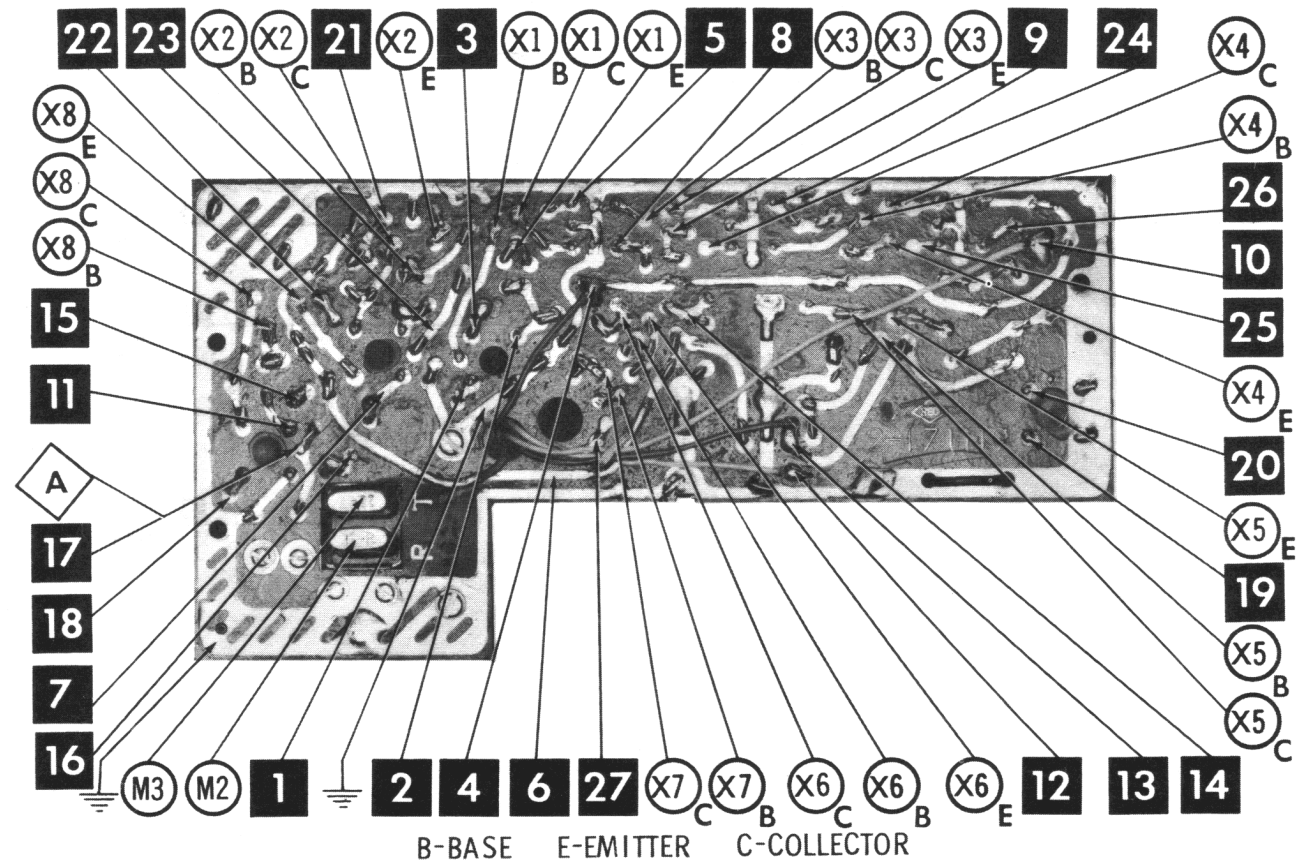
© Howard W. Sams & Co., Inc. 1962



**MAGNAVOX MODEL WT101**



CHASSIS TOP VIEW - RESISTOR & INDUCTOR IDENT.



B-BASE E-EMITTER C-COLLECTOR

CHASSIS - BOTTOM VIEW



# PARTS LIST AND DESCRIPTIONS (Continued)

## COILS (RF-IF)

ITEM No.	USE	REPLACEMENT DATA				NOTES
		MAGNAVOX PART No.	Merit PART No.	Miller PART No.	Stancor PART No.	
L1	Rec. Antenna	360982-1				
L2	1st IF	360984-1	BC-574			
L3	2nd IF	360984-1	BC-574			
L4	3rd IF		BC-574			
L5	RF		BC-576			
L6	Osc.	360980-1				
L7	Final	360981-1				
L8	Antenna Load	360983-1				

## TRANSFORMER (DRIVER)

ITEM No.	TURNS RATIO	REPLACEMENT DATA			NOTES
		MAGNAVOX PART No.	Merit PART No.	Stancor PART No.	
T1	1.5 1	320109-1			

## TRANSFORMER (AUDIO OUTPUT)

ITEM No.	IMPEDANCE	REPLACEMENT DATA			NOTES
		MAGNAVOX PART No.	Merit PART No.	Stancor PART No.	
T2	12K 54080 Tap @ 6-80	320104-1			

## SPEAKER

ITEM No.	TYPE	REPLACEMENT DATA		NOTES
		MAGNAVOX PART No.	QUAM PART No.	
SP1	2 1/2" PM 6-80	570013-1		

## BATTERIES

ITEM No.	VOLTAGE	REPLACEMENT DATA			NOTES
		MAGNAVOX PART No.	BURGESS PART No.	EVEREADY PART No.	
M1	9V	530075-1	P6	226	M-1600 2 Required

## MISCELLANEOUS

ITEM No.	PART NAME	MAGNAVOX PART No.	NOTES
M2	Crystal	530076-1	Receive Transmit Receive-Transmit Telescoping
M3	Crystal	530077-1	
M4	Switch	160356-1	
M4	Antenna	481003-1	

## CABINETS & CABINET PARTS

(When Ordering Cabinets & Cabinet Parts, Specify Model, Chassis & Color)

NAME	PART NO.	DESCRIPTION
Knob, Volume	140565-1	
Cabinet Front	140566-1	
Cabinet Back	140567-1	

## WIRING DATA

General-use Unshielded Hook-up Wire	8530 (Solid 22AWG) 8524 (Stranded 22AWG) 8570 (Stranded 26AWG)	Available in 12 Colors
-------------------------------------	--	------------------------------

# CHASSIS—TOP VIEW

