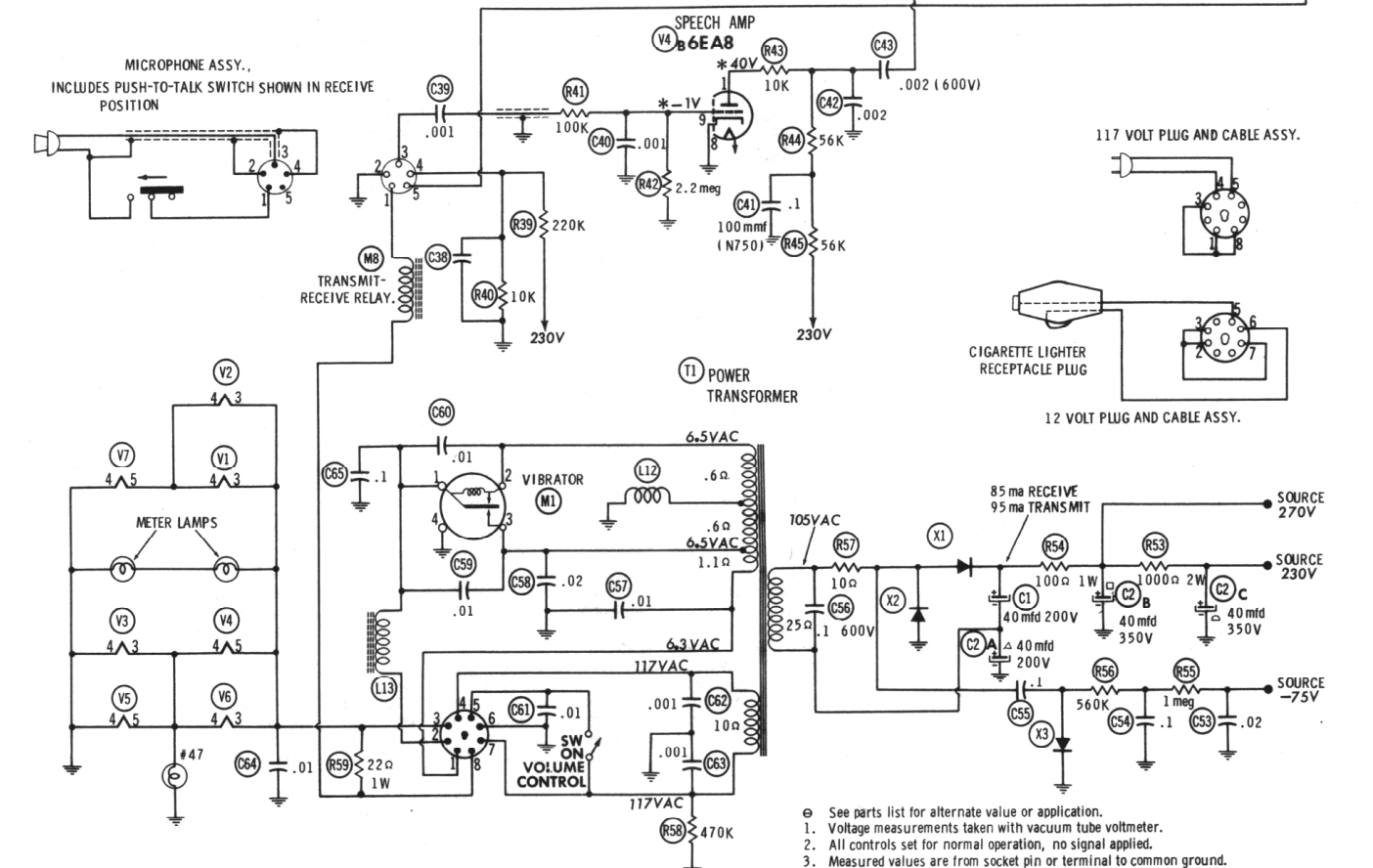


**RESISTANCE READINGS**

ITEM	TUBE	Pin 1	Pin 2	Pin 3	Pin 4	Pin 5	Pin 6	Pin 7	Pin 8	Pin 9
V1	6BA6	2.3 meg	0Ω	FIL	FIL	†5800Ω	†33K	68Ω		
V2	6BE6	47K	0Ω	FIL	FIL	†48K	†40K	47K		
V3	6AU6	1.8 meg	0Ω	FIL	FIL	†3300Ω	†30K	68Ω		
V4	6EA8	†1130K	1 meg	†50K	FIL	FIL	†3400Ω	200Ω	0Ω	2.2 meg
V5	6T8	500K	700K	500K	FIL	FIL	2.6 meg	0Ω	12 meg	†470K
V6	6AQ5	470K	330Ω	FIL	FIL	†400Ω	†1100Ω	470K		
V7	6AW8	0Ω	†1.6 meg	†48K	FIL	FIL	0Ω	†1.5 meg	†5100Ω	†440Ω

ALL MEASUREMENTS TAKEN IN RECEIVE POSITION UNLESS OTHERWISE DESIGNATED.  
 † MEASURED FROM CATHODE OF X1 POWER RECTIFIER.  
 ‡ MEASURED FROM ANODE OF X3 BIAS RECTIFIER.  
 \* MEASURED IN TRANSMIT POSITION.



- ⊙ See parts list for alternate value or application.
- 1. Voltage measurements taken with vacuum tube voltmeter.
- 2. All controls set for normal operation, no signal applied.
- 3. Measured values are from socket pin or terminal to common ground.
- 4. All terminals viewed from bottom unless otherwise designated.
- 5. Numbers assigned to terminals may not be found on the unit.
- 6. Supply voltage maintained at rated value for voltage readings.