

This Manual is provided by
CBTricks.com

Someone who wanted to help you repair your equipment
scanned this manual.

If you would like to help us put more manuals online support us.

Supporters of CBTricks.com paid for the hosting so you would have this file.

CBTricks.com is a non-commercial personal website was created to help promote the exchange of service, modification, technically oriented information, and historical information aimed at the Citizens Band, GMRS (CB "A" Band), MURS, Amateur Radios and RF Amps.

CBTricks.com is not sponsored by or connected to any Retailer, Radio, Antenna Manufacturer or Amp Manufacturer, or affiliated with any site links shown in the links database. The use of product or company names on my web site is not endorsement of that product or company.

If your company would like to provide technical information to be featured on this site I will put up on the site as long as I can do it in a non-commercial way.

The site is supported with donation from users, friends and selling of the Galaxy Service Manual CD to cover some of the costs of having this website on the Internet instead of relying on banner ads, pop-up ads, commercial links, etc. to pay my costs. Thus I do not accept advertising banners or pop-up/pop-under advertising or other marketing/sales links or gimmicks on my website.

ALL the money from donations is used for CBTricks.com I didn't do all the work to make money (I have a day job). This work was not done for someone else to make money also, for example the ebay CD sellers.

All Trademarks, Logos, and Brand Names are the property of their respective owners.
This information is not provided by, or affiliated in any way with any radio or antenna Manufacturers.
Thank you for any support you can give.



PHOTOFACT[®]

TRADE NAME : Lafayette Model HE-15B
SUPPLIER : Lafayette Radio Corp.
 111 Jericho Turnpike, Syosset, L. I., N. Y.
TYPE SET : 6 Tube 8 Channel Transceiver
POWER SUPPLY : 110-120 Volts AC, 60 Cycles (or)
 6 (or) 12 Volt Storage Battery
RATING: (Rec.) 42 Watts, .4 Amp. @ 117 Volts AC
(Trans.) 45 Watts, .41 Amp. @ 117 Volts AC
TUNING RANGE: Any 8 CB Channels 1 thru 22
 (Receiver is continuously tuned)



LAFAYETTE MODEL HE-15B

ALIGNMENT INSTRUCTIONS

Suggested Alignment Tools:

A1, A2, A3, A4.....GENERAL CEMENT #5097, 8727..... WALSCO #2515
 A8.....GENERAL CEMENT #5000, 5003, 5066.... WALSCO #2525, 2528

RECEIVER ALIGNMENT

Connect output meter across voice coil.

SIGNAL GENERATOR	CHANNEL	ADJUST	REMARKS
High side thru .01mfd to pin 9 (grid) of Mixer, low side to ground. (455KC Mod.)	Any	A1, A2, A3, A4	Adjust for maximum output.
High side to antenna receptacle thru .1mfd, low side to ground. Tune to channel frequency.	Highest Channel Used.	A5, A6, A7	Adjust for maximum output.
A8 is adjusted for minimum interference on the lower 3 TV Channels.			

TRANSMITTER ALIGNMENT

ONLY THOSE PERSONS PROPERLY LICENSED ARE PERMITTED TO MAKE REPAIRS OR ADJUSTMENTS WHICH MAY RESULT IN ILLEGAL OPERATION. (REFER TO FCC RULES & REGULATIONS PART 19, SUBPART D, SECTION 19.71)

INDICATOR	ADJUST	REMARKS
RF Power indicator lamp on front panel.	A9	Key transmitter. Adjust for maximum brilliance.
"	A10, C42	Turn C42 completely tight, then back off 1/2 turn. Adjust A10 for maximum brilliance (or minimum dip on IP meter inserted in front panel jack).
"	C42	Adjust for maximum brilliance (or minimum dip on front panel IP meter).

Press and release transmit button several times. The output indicator should show that the transmitter is operating each time. If not, back out A9, 1 1/2 turn at a time until transmitter operates each time the button is depressed.

HOWARD W. SAMS & CO., INC. Indianapolis 6, Indiana

PARTS LIST AND DESCRIPTION

TUBES

ITEM No.	AMPEREX		GENERAL ELECTRIC		RCA		RAYTHEON		SYLVANIA	
	USE	TYPE	TYPE	TYPE	USE	TYPE	TYPE	TYPE	TYPE	
V1	RF Amp. - Mixer	6EA8 (6UBA)*	AF Amp. - Speech Amp. Output - Modulator	12AX7						
V2	Rec. Osc. - IF Amp.	6EA8 (6UBA)*	Trans. Osc. - Final	6V6GT						
V3	ANL - Squelch	6AL5		6AW8A						

* Alternate

POWER RECTIFIERS & SIGNAL DIODES

ITEM No.	MEASURED CURRENT	ORIGINAL Part or Type No.	RECTIFIERS		NOTES
			MALLORY PART No.	SARKIS TARZIAN PART No.	
X1	28235-1	IN2070	40H	HV Rectifier	
X2	28235-1	IN2070	40H	HV Rectifier	
X3	IN34A	IN1783	40H	Detector	

ELECTROLYTIC CAPACITORS

ITEM No.	RATING CAP.	VOLT.	REPLACEMENT DATA					
			Lafayette PART No.	AEROVOX PART No.	CORNELL DUBILIER PART No.	GENERAL ELECTRIC PART No.	GENERAL INSTRUMENT PART No.	MALLORY PART No.
C1	100	200	PR1595	BR10035	TD-100-200	TC1285	TVA-1718	
C2	100	200	PR1595	BR10035	TD-100-200	TC1285	TVA-1718	
C3A	40	350	A.FH3-140-150	C.0870	TMT-3367	FP387.5	TVL-3754.5	
C4	25	25	PTT-10005	NLW6-15	MLV5-12	TT12X5	TE-1127	

FIXED CAPACITORS

ITEM No.	RATING	REMARKS	REPLACEMENT DATA					
			AEROVOX PART No.	CENTRALAB PART No.	CORNELL DUBILIER PART No.	ELMENCO PART No.	SPRAGUE PART No.	
C5	3-70	#2040-4	NPO-SI 3.0	TCZ-3R3	C10V3C	462	CC TO-3R3	10TCC-V33
C6	3	NPO 5%	BFD-001	TCA-10	BYA10D1	CCD-102	CCD-102	10TCC-Q10
C7	10	N330 5%	BFD-001	DD-102	BYA10D1	CCD-102	CCD-102	5HK-D10
C8	.001		BFD-001	DD-102	BYA10D1	CCD-102	CCD-102	5HK-D10
C9	.001		NPO-DI 22	DYZ-22	C10Q22C	CC TO-220	CC TO-220	10TCC-Q22
C10	22	NPO	N750-DI 100	DYN-100	C10T10	CC TN-101	CC TN-101	10TCC-U-110
C11	100	N750	N750-DI 47	DYN-47	C10Q47U	CCD-102	CCD-102	10TCC-U-447
C12	47	N750	BFD-001	DD-102	BYA10D1	CCD-102	CCD-102	5HK-D10
C13	.001		NPO-SI 1.5	TCZ-1R5	C10V15C	CC TN-470	CC TN-470	10TCC-V15
C14	1.5	N750	N750-DI 47	DYN-47	C10Q47U	CC TO-220	CC TO-220	10TCC-Q47
C15	47	N750	NPO-DI 22	DYZ-22	C10Q22C	CC TO-220	CC TO-220	10TCC-Q22
C16	22	NPO			C10V4C			10TCC-V4
C17	3.9	NPO			BYA10D1	CCD-102	CCD-102	10TCC-Q10
C18	10	N220			CUB4547	4DP-3-473	4DP-3-473	5HK-S10
C19	.001		P488N-047	DD-102	BYA10D1	CCD-102	CCD-102	5HK-S10
C20	.06	400V	BFD-001	DD-102	BYA10D1	CCD-102	CCD-102	5HK-S10
C21	.01		BFD-001	DD-102	BYA10D1	CCD-102	CCD-102	5HK-S10
C22	.02	200V	P488N-022	DD-203	CUB4522	4DP-2-223	4DP-2-223	5HK-S10
C23	1.8		NPO-SI 1.8	TCZ-1R8	C10V18C	CC TO-100	CC TO-100	10TCC-Q10
C24	1.8	NPO	NPO-DI 10	DYZ-10	C10Q10C	CCD-221	CCD-221	10TCC-Q22
C25	220		P488N-1	DD-221	BYA10D1	CCD-102	CCD-102	10TCC-Q10
C26	.1	200V	BFD-001	DD-102	BYA10D1	CCD-102	CCD-102	5HK-S10
C27	.01		BFD-001	DD-102	BYA10D1	CCD-102	CCD-102	5HK-S10
C28	.01		BFD-001	DD-102	BYA10D1	CCD-102	CCD-102	5HK-S10
C29	.002		BFD-001	DD-102	BYA10D1	CCD-102	CCD-102	5HK-S10
C30	.001		BFD-001	DD-102	BYA10D1	CCD-102	CCD-102	5HK-S10
C31	.001		BFD-001	DD-102	BYA10D1	CCD-102	CCD-102	5HK-S10
C32	.001		BFD-001	DD-102	BYA10D1	CCD-102	CCD-102	5HK-S10
C33	.001		BFD-001	DD-102	BYA10D1	CCD-102	CCD-102	5HK-S10
C34	.001		BFD-001	DD-102	BYA10D1	CCD-102	CCD-102	5HK-S10
C35	22	NPO 5%	NPO-DI 22	DYZ-22	C10Q22C	CC TO-220	CC TO-220	10TCC-Q22
C36	.01		BFD-001	DD-102	BYA10D1	CCD-102	CCD-102	5HK-S10

FIXED CAPACITORS (cont)

ITEM No.	RATING	REMARKS	REPLACEMENT DATA					
			AEROVOX PART No.	CENTRALAB PART No.	CORNELL DUBILIER PART No.	ELMENCO PART No.	MALLORY PART No.	SPRAGUE PART No.
C37	.001	2000V 10%	BPD-01	DD-103	BYA10S1	CCD-103	CCD-103	5HK-S10
C38	.01	2000V 10%	NPO-DI 10	DYZ-10	C10Q10C	CC TO-100	CC TO-100	10TCC-Q10
C39	10	NPO 5%	NPO-SI 2.2	TCZ-2.2	C10V22C			10TCC-V22
C40	2.2	NPO 5%	BPD-001	DD-102	BYA10D1	CCD-102	CCD-102	5HK-D10
C41	.02		BYD-02	DD-203	BYB652	CCD-203	CCD-203	5HK-S20

* Not normally in distributor's stock. † Alternate Value.

Note 1. Not used in some versions. # Lafayette Part Number. † Alternate Value.

CONTROLS

All wattages 1/2 watt, or less, unless otherwise listed.

ITEM No.	USE	RESISTANCE	REPLACEMENT DATA				
			Lafayette PART No.	CENTRALAB PART No.	CLAROSTAT PART No.	CTS-IRC PART No.	MALLORY PART No.
R1	Volume & Switch	Imeg	V-329-3	B-70-S	A-47-Imeg-Z, FS-3, SWB-20	Q13-137, 76-2	U-53, US-27
R2	Squelch	Imeg	V-330-3	B-70	A-47-Imeg-Z	Q13-137	U-53

RESISTORS (Power and Special)

ITEM No.	RATING	IRC PART No.	WORKMAN PART No.	REMARKS	ITEM No.	RATING	REPLACEMENT DATA	
							IRC PART No.	WORKMAN PART No.
R31	5000Ω 5W	PW5-5000	5W-SQ-5000		R32	330Ω 5W	PW5-330	5W-SQ-330

COILS (RF-IF)

ITEM No.	USE	REPLACEMENT DATA					NOTES
		Lafayette PART No.	MERIT PART No.	MILLER PART No.	STANCOR PART No.	WORKMAN PART No.	
L1	TV Trap	180-4	TV-118	617I-A	RTC-8609	T216	① 7 Turns #36 Wire
L2	RF Bandpass	180-2					② Battery versions only.
L3	RF Bandpass	180-1					
L4	Rec. Oscillator	1-110-4					
L5	1st IF	1-110-1					
L6	2nd IF	180-2					
L7	Trans. Osc. Plate	180-2					
L8	Final Hash Choke	190-5					

TRANSFORMER (POWER)

ITEM No.	RATING	REPLACEMENT DATA					NOTES
		Lafayette PART No.	MERIT PART No.	STANCOR PART No.	THORDARSON PART No.	TRIAD PART No.	
T1	117VAC 110VAC 6.3VAC ④ .4A ⑤ .55A* ⑥ 2.3A	PT-178-3					* .65 A in Transmitt

PARTS LIST AND DESCRIPTION (CONTINUED)

CHASSIS—TOP VIEW

TRANSFORMER (AUDIO OUTPUT)

ITEM No.	IMPEDANCE		REPLACEMENT DATA				NOTES
	PRI.	SEC.	Lafayette PART No.	MERIT PART No.	STANCOR PART No.	THORDARSON PART No.	
T2	5200Ω Tap @ 90%	3-4Ω	T-179-2	A-3817			

SPEAKER

ITEM No.	TYPE	REPLACEMENT DATA		NOTES
		Lafayette PART No.	QUAM PART No.	
SP1	4" PM 3-4Ω	S-719-1	3A05	

FUSES

ITEM No.	TYPE	RATING	REPLACEMENT DATA			
			Lafayette PART No.	LITTELFUSE PART No.	BUSS PART No.	HOLDER
M1	3AG	1A 250V	①	318001		
	3AG	10A 32V	②	312010 (3AG 10A 32V)	155020	AGC-5 HDJ

① AC Operation. ② DC Operation.

MISCELLANEOUS

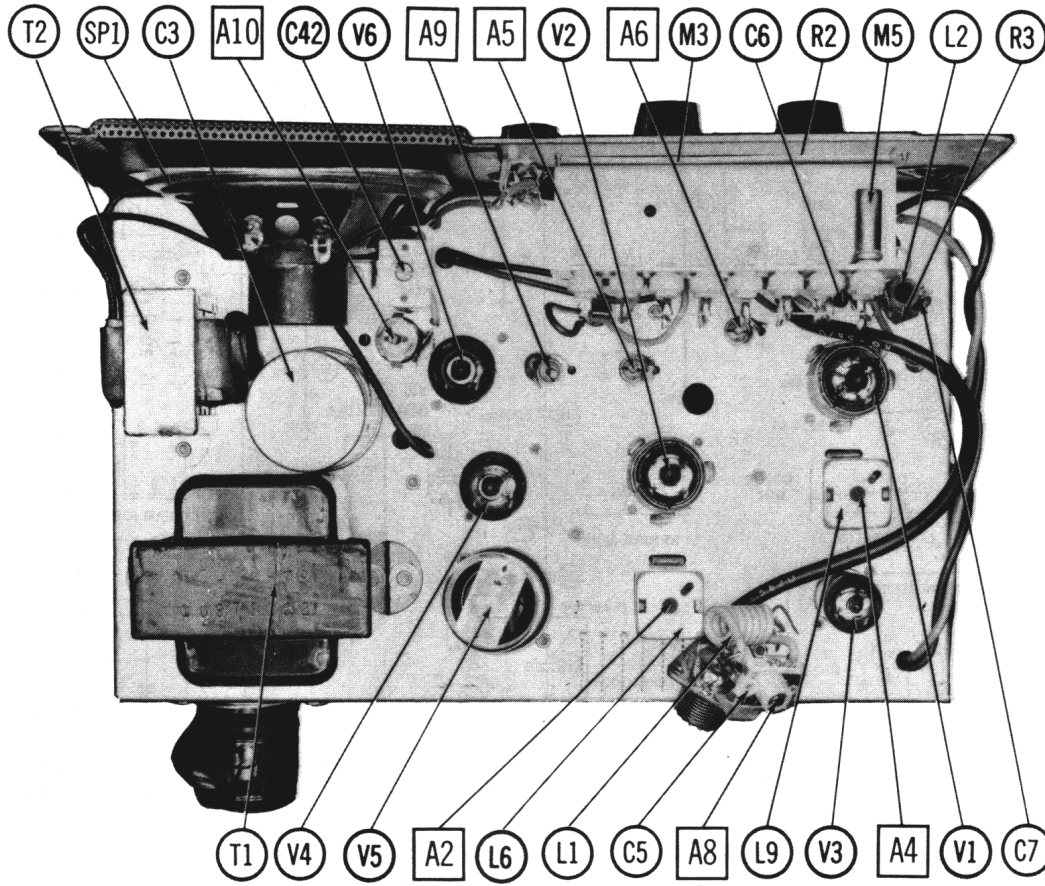
ITEM No.	PART NAME	Lafayette PART No.	NOTES
M2	Tuning Capacitor	V-235-1	
M3	Switch		Receiver Tuning Channel Selector (Rotary Wafer Type)
M4	Switch		Receiver-Transmit (Spring Loaded, Rotary Wafer)
M5	Crystal		Transmit (Order by channel desired)
M6	RF Power Indicator		Neon Lamp (NE-2)

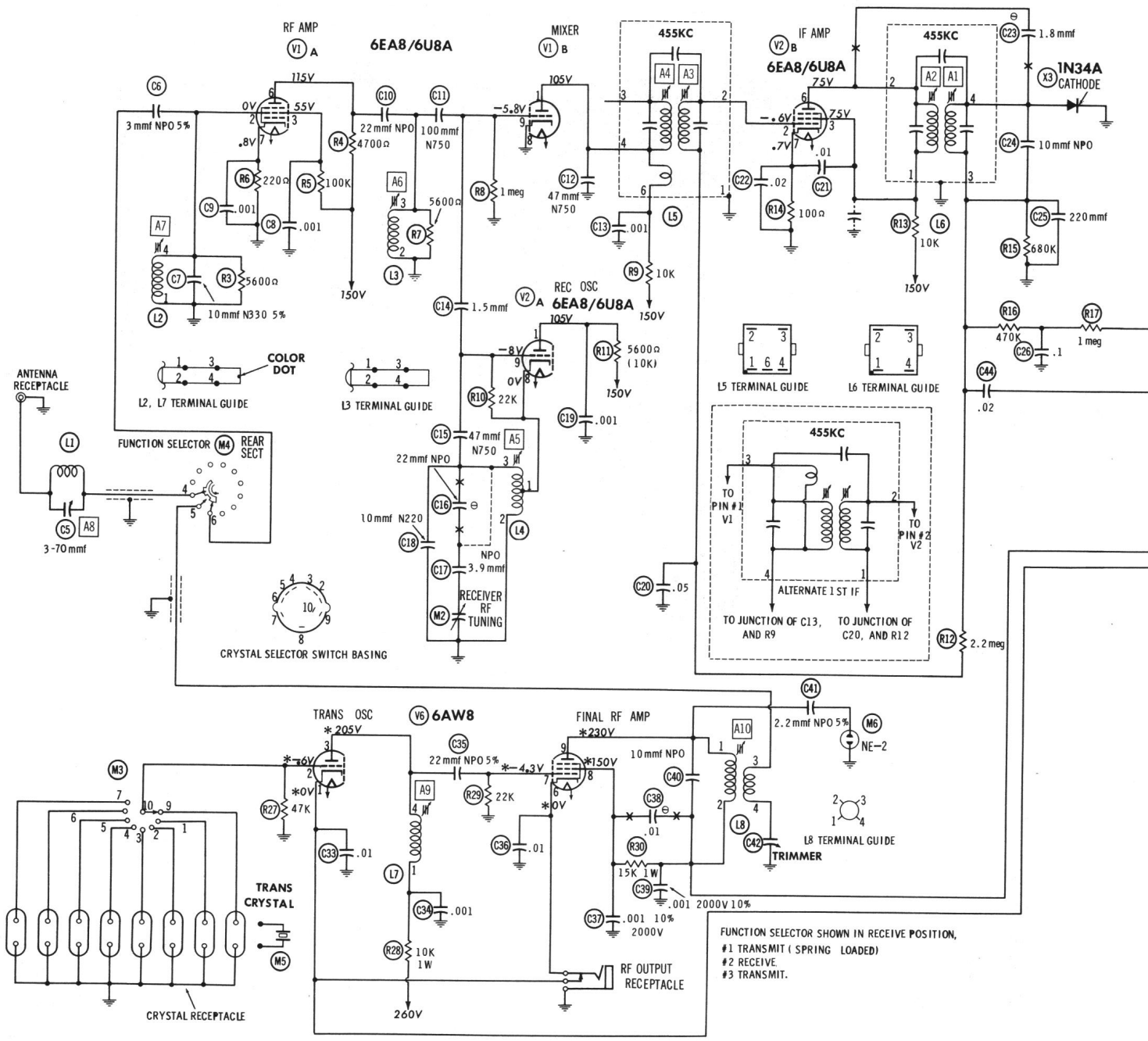
VIBRATOR

ITEM No.	TYPE	INPUT VOLTS	FRE-QUENCY	REPLACEMENT DATA			NOTES
				Lafayette PART No.	CORNELL-DUBILIER PART No.	MALLORY PART No.	
	Interrupter	6.3	115%	5301	1601		6 Volt Versions
	Interrupter	12.6	115%	6301	G-1601		12 Volt Versions

WIRING DATA

General-use Hook-up Wire	Use BELDEN No. 8530 (Solid) Available in 12 Colors
Shielded Antenna Lead	8524 (Stranded) Available in 12 Colors)
Coiled Microphone Cable	8214 Lowest Loss (RG-8/U Type)
Ignition Noise Suppression	8237 Low Loss (RG-8/U)
Bonding Strap	8240 (Solid) Miniature (RG-58/U)
	8259 (Stranded) Miniature (RG-58/U)
	8498 Single Conductor Shielded (Neoprene)
	8498 Single Conductor Shielded (Vinyl)
	7300-Series Spark-Plug Sets
	Use BELDEN No. 8601 (3/8 In.)





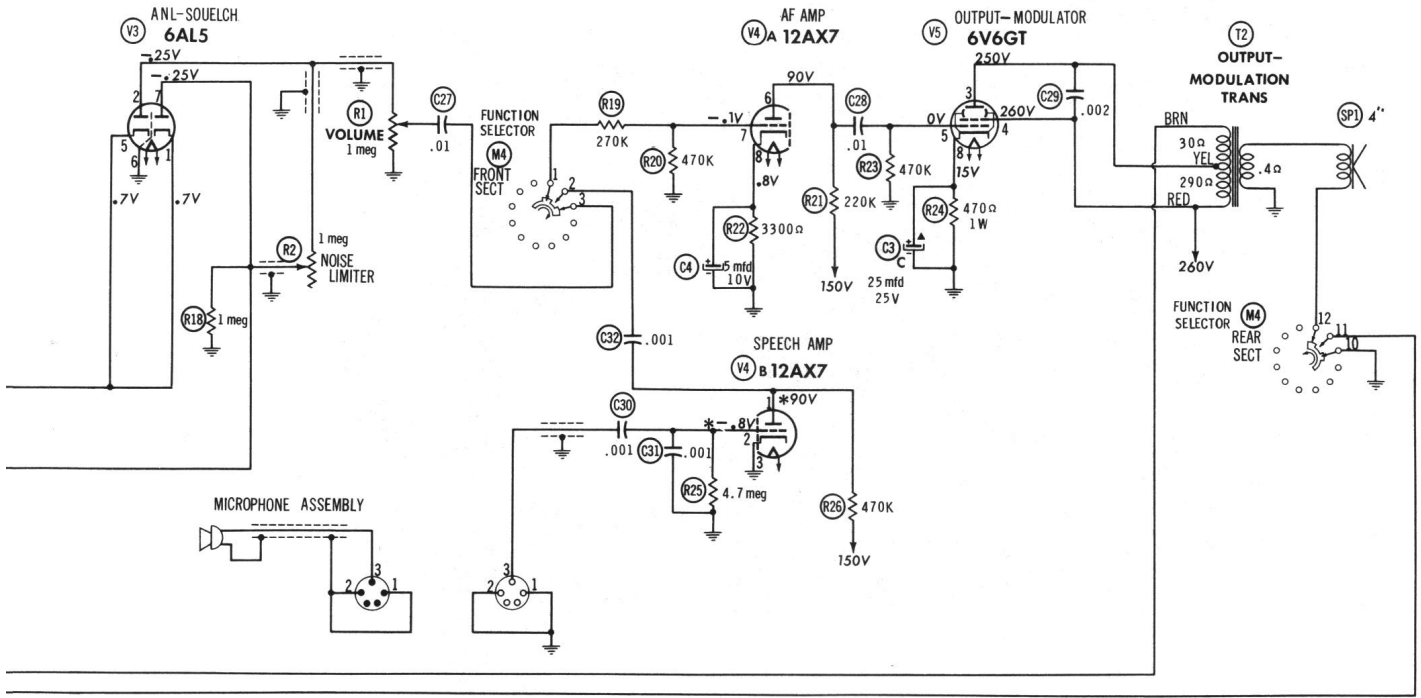
FUNCTION SELECTOR SHOWN IN RECEIVE POSITION,
 #1 TRANSMIT (SPRING LOADED)
 #2 RECEIVE
 #3 TRANSMIT.

RESISTANCE READINGS

ITEM	TUBE	Pin 1	Pin 2	Pin 3	Pin 4	Pin 5	Pin 6	Pin 7	Pin 8	Pin 9
V1	6U8 A 6EA8	†15K	0Ω	†100K	FIL	FIL	†10K	220Ω	0Ω	1 meg
V2	6U8 A 6EA8	†15K	2.3 meg	†15K	FIL	FIL	†15K	100Ω	0Ω	22K
V3	6AL5	2 meg	1 meg	FIL	FIL	2 meg	0Ω	1 meg		
V4	12AX7	†1475K	4.7 meg	0Ω	FIL	FIL	†230K	470K	3300Ω	FIL
V5	6V6 GT	0Ω	FIL	†500Ω	†300Ω	470K	TP	FIL	470Ω	
V6	6AW8 A	*0Ω	*47K	†10K	FIL	FIL	*0Ω	22K	†650Ω	†15.6K

† MEASURED FROM OUTPUT OF X1.
 * MEASURED IN TRANSMIT POSITION.

- ⊖ See parts list for alternate value or application.
- 1. Voltage measurements taken with vacuum tube voltmeter.
- 2. All controls set for normal operation, no signal applied.
- 3. Measured values are from socket pin or terminal to common ground.
- 4. All terminals viewed from bottom unless otherwise designated.
- 5. Numbers assigned to terminals may not be found on the unit.
- 6. Supply voltage maintained at rated value for voltage readings.



LAFAYETTE MODEL HE-15B

