

**This Manual is provided by**  
**CBTricks.com**

Someone who wanted to help you repair your equipment  
scanned this manual.

If you would like to help us put more manuals online support us.

Supporters of CBTricks.com paid for the hosting so you would have this file.

CBTricks.com is a non-commercial personal website was created to help promote the exchange of service, modification, technically oriented information, and historical information aimed at the Citizens Band, GMRS (CB "A" Band), MURS, Amateur Radios and RF Amps.

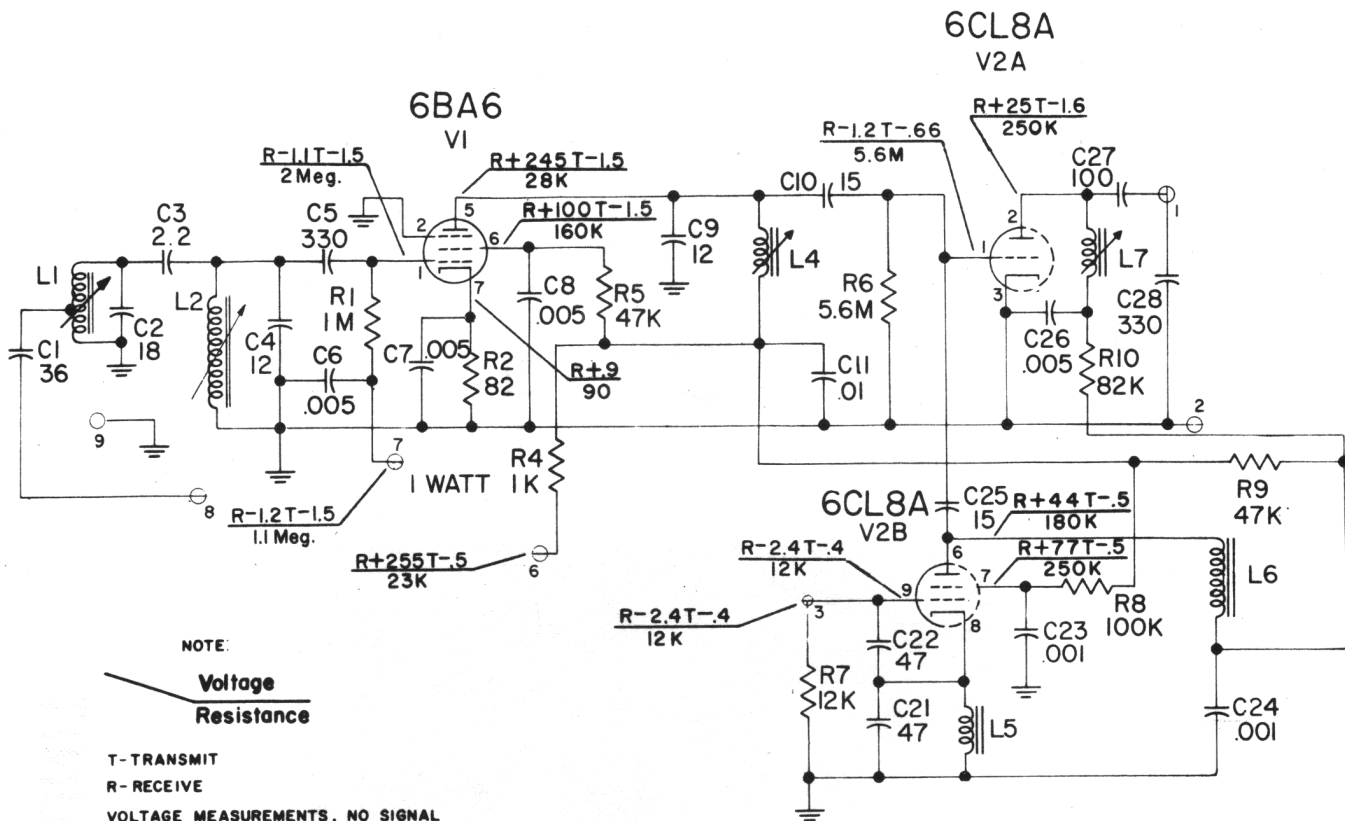
CBTricks.com is not sponsored by or connected to any Retailer, Radio, Antenna Manufacturer or Amp Manufacturer, or affiliated with any site links shown in the links database. The use of product or company names on my web site is not endorsement of that product or company.

If your company would like to provide technical information to be featured on this site I will put up on the site as long as I can do it in a non-commercial way.

The site is supported with donation from users, friends and selling of the Galaxy Service Manual CD to cover some of the costs of having this website on the Internet instead of relying on banner ads, pop-up ads, commercial links, etc. to pay my costs. Thus I do not accept advertising banners or pop-up/pop-under advertising or other marketing/sales links or gimmicks on my website.

ALL the money from donations is used for CBTricks.com I didn't do all the work to make money (I have a day job). This work was not done for someone else to make money also, for example the ebay CD sellers.

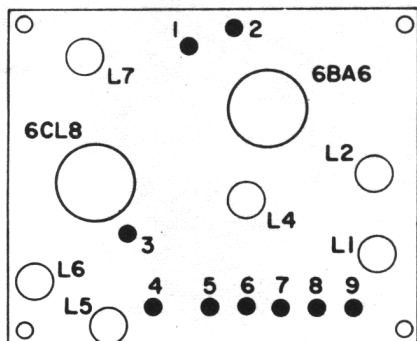
All Trademarks, Logos, and Brand Names are the property of their respective owners.  
This information is not provided by, or affiliated in any way with any radio or antenna Manufacturers.  
Thank you for any support you can give.



NOTE:

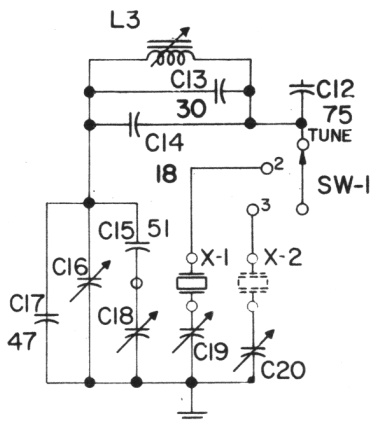
**Voltage**  
**Resistance**

T- TRANSMIT  
R- RECEIVE  
VOLTAGE MEASUREMENTS, NO SIGNAL  
115V OPERATION.  
VOLTAGES WILL VARY FROM 6 TO  
12 TO 115 VOLT OPERATION.  
VOLTAGE MEASUREMENTS MADE  
WITH VTVM.  
ALL READINGS ±10%



**POWER PIN CONNECTIONS**

- |   |           |   |          |
|---|-----------|---|----------|
| 1 | 10 MC OUT | 6 | B+       |
| 2 | GND       | 7 | AVC      |
| 3 | XTAL SW.  | 8 | ANT.     |
| 4 | 12V. FIL. | 9 | NOT USED |
| 5 | 6V. FIL.  |   |          |

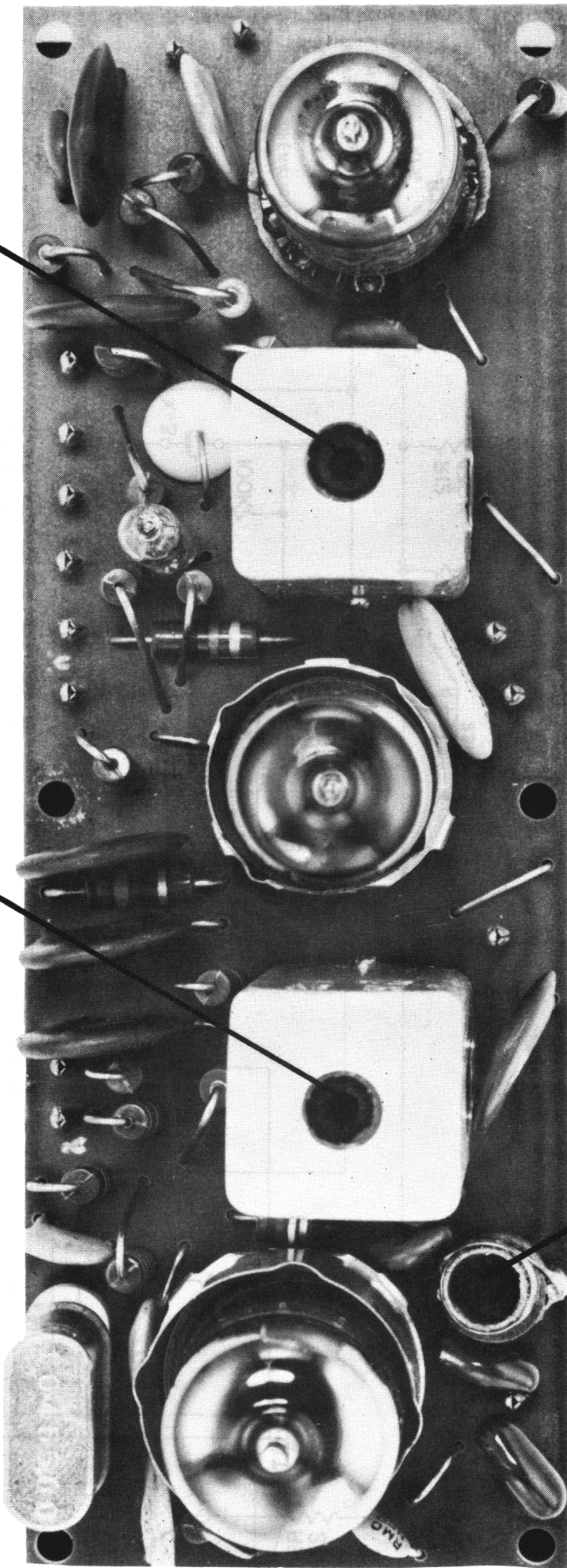


<b>CONVERTER UNIT MODEL 100</b>		
DRAWN BY- <i>AB II</i>	CHECKED BY- <i>WAR</i>	APPROVED BY- <i>RAJ</i>
DATE- 9-14-61	DATE- 11-28-61	
INTERNATIONAL CRYSTAL MFG. CO., INC. 18 N. LEE, OKLAHOMA CITY, OKLAHOMA		

T-2

T-1

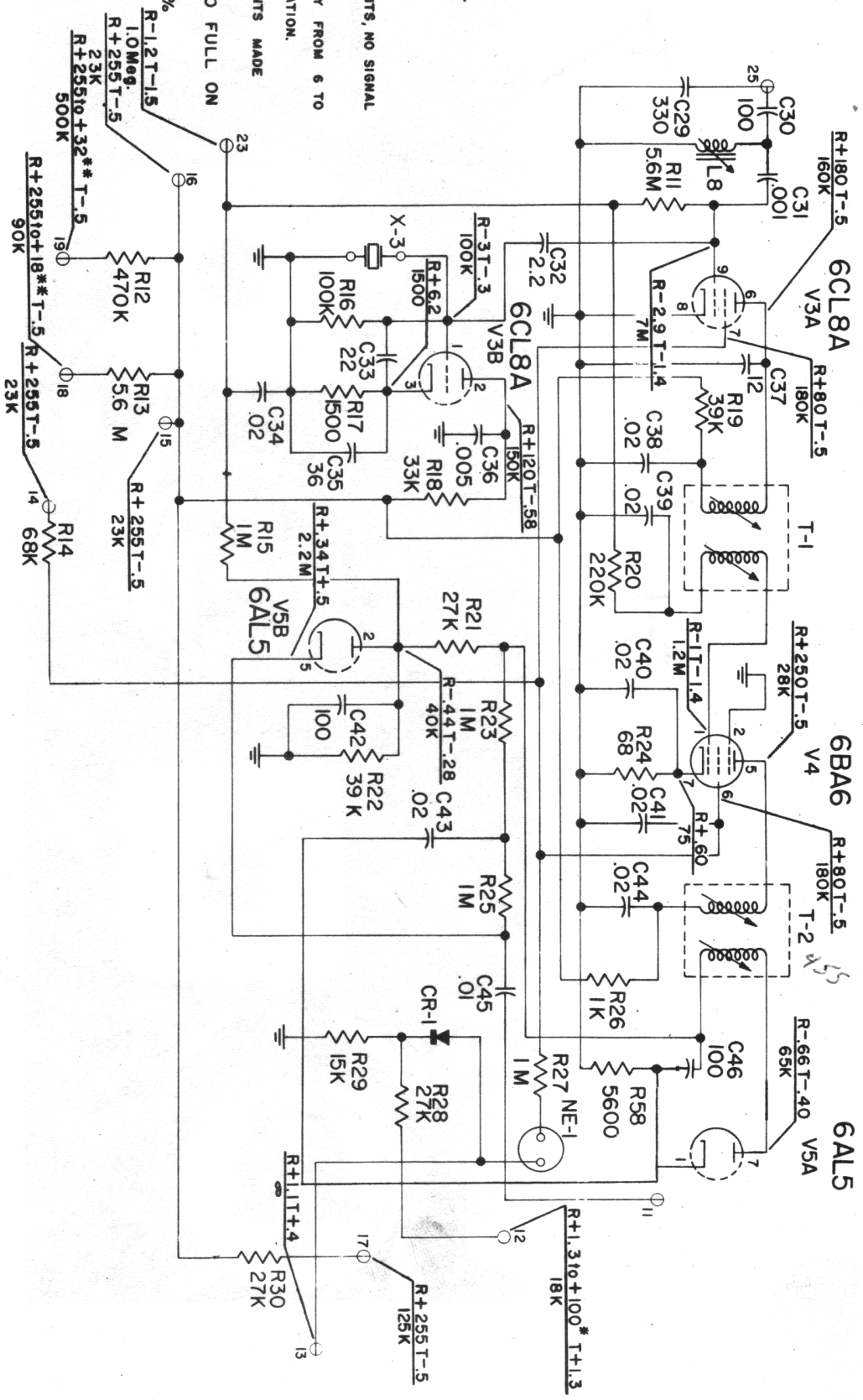
L8



I.F. UNIT

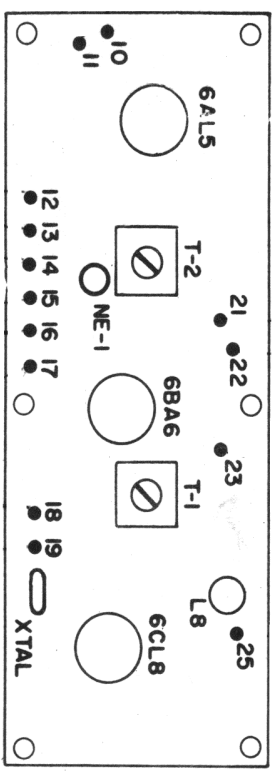
NOTE:  
Voltage  
Resistance

T-TRANSMIT  
R-RECEIVE  
VOLTAGE MEASUREMENTS, NO SIGNAL  
115 V OPERATION.  
VOLTAGES WILL VARY FROM 6 TO  
12 TO 115 VOLT OPERATION.  
VOLTAGE MEASUREMENTS MADE  
WITH VTVM.  
\* SQUELCH OFF TO FULL ON  
\*\* CALIBRATE ON  
ALL READINGS ± 10%



POWER PIN CONNECTIONS

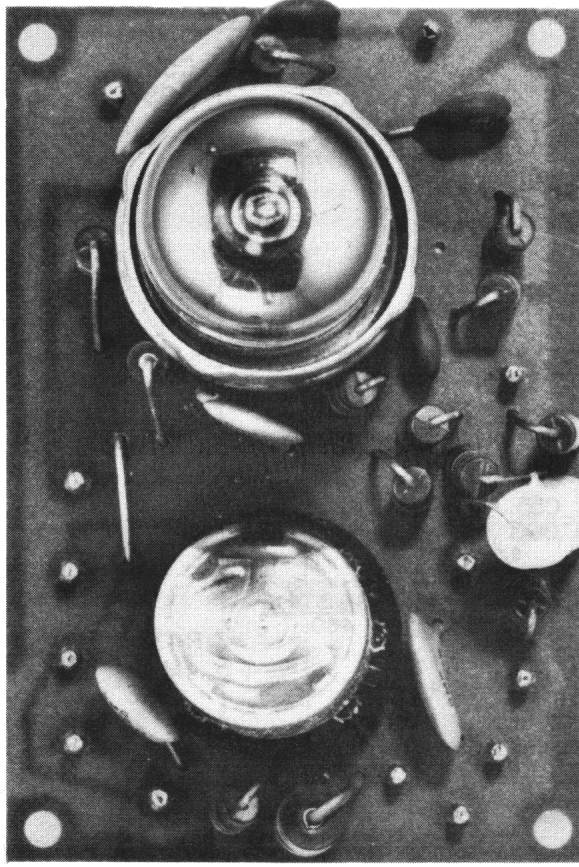
- 10 AUDIO OUT GND
- 11 AUDIO OUT
- 12 TO SQUELCH CONTROL
- 13 TO SW-3 & AUDIO GRID
- 14 TO SW-6
- 15 TO SW-6
- 16 B+
- 17 TO SQUELCH CONTROL
- 18 TO SW-6
- 19 TO SW-6
- 21 12V FIL
- 22 6V FIL
- 23 AVC
- 25 10MC IN



I.F. UNIT  
MODEL 100

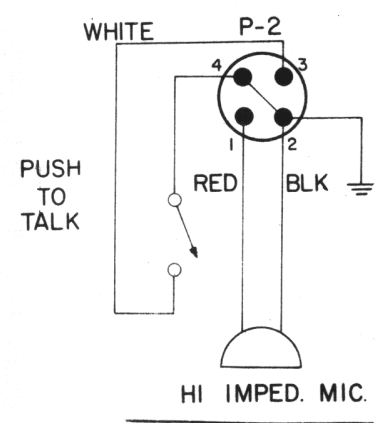
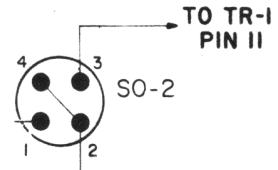
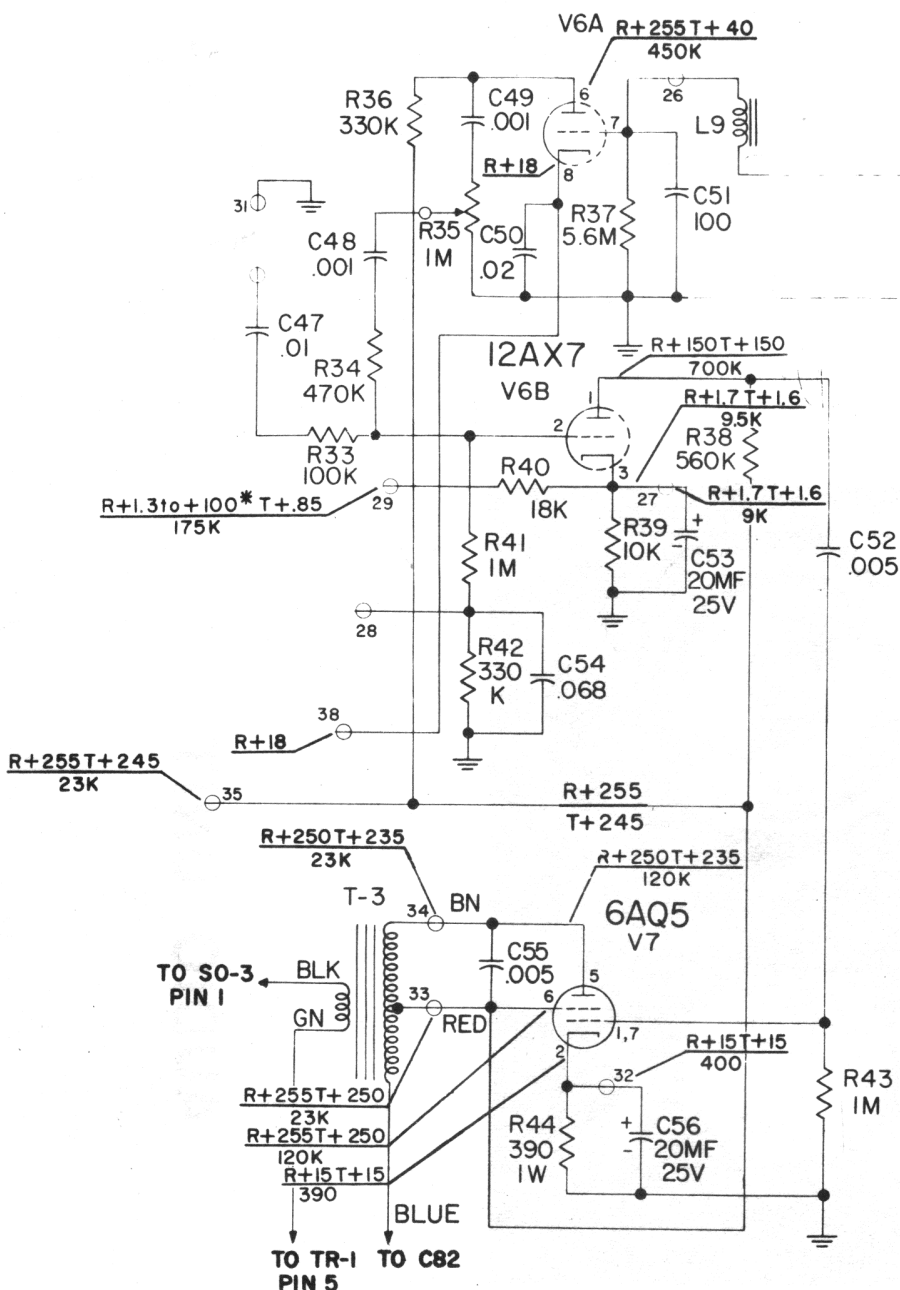
DRAWN BY: *[Signature]* CHECKED BY: *[Signature]* APPROVED BY: *[Signature]*  
DATE: 9-8-61 DATE: 11-28-61

INTERNATIONAL CRYSTAL MFG. CO., INC.  
18 N. LEE, OKLAHOMA CITY, OKLAHOMA



## AUDIO UNIT

# 12AX7



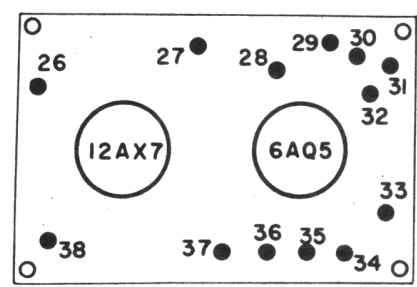
NOTE

Voltage  
Resistance

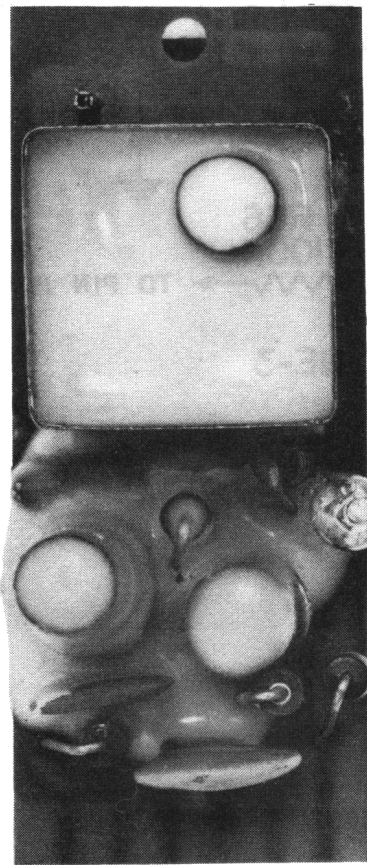
T-TRANSMIT  
R-RECEIVE  
VOLTAGE MEASUREMENTS, NO SIGNAL  
115V OPERATION.  
VOLTAGES WILL VARY FROM 6 TO  
12 TO 115 VOLT OPERATION  
VOLTAGE MEASUREMENTS MADE  
WITH VTVM  
\*SQUELCH OFF TO FULL ON  
ALL READINGS ± 10%

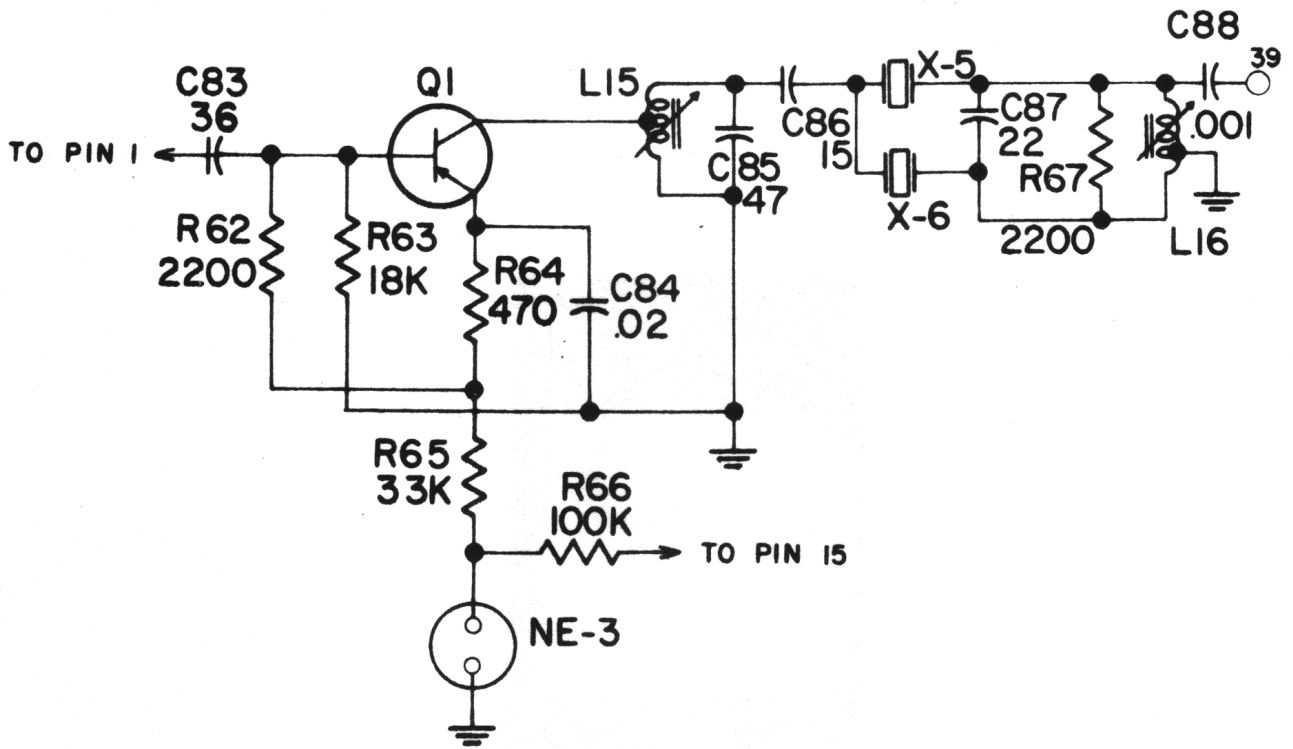
### POWER PIN CONNECTIONS

- |                   |                          |
|-------------------|--------------------------|
| 26 MIC. IN        | 32 TO C51                |
| 27 TO C49         | 33 TO TRANS. B+          |
| 28 TO SW-3 & SQ   | 34 TO TRANS. PLATE       |
| AUDIO GRID        | 35 B+                    |
| 29 TO SQ. CONTROL | 36 12V FIL.              |
| 30 AUDIO IN       | 37 6V FIL.               |
| 31 GND            | 38 CATHODE TO TR-I PIN 6 |



<b>AUDIO UNIT MODEL 100</b>		
DRAWN BY- <i>RSZ</i>	CHECKED BY- <i>WAK</i>	APPROVED BY
DATE- 9-11-61	DATE- 11-28-61	
<b>INTERNATIONAL CRYSTAL MFG. CO., INC.</b>		
18 N. LEE, OKLAHOMA CITY, OKLAHOMA		



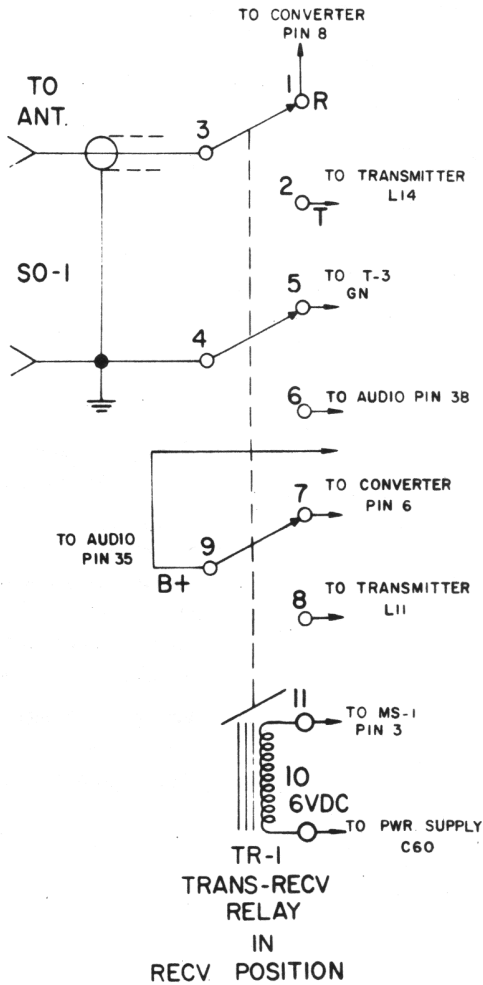
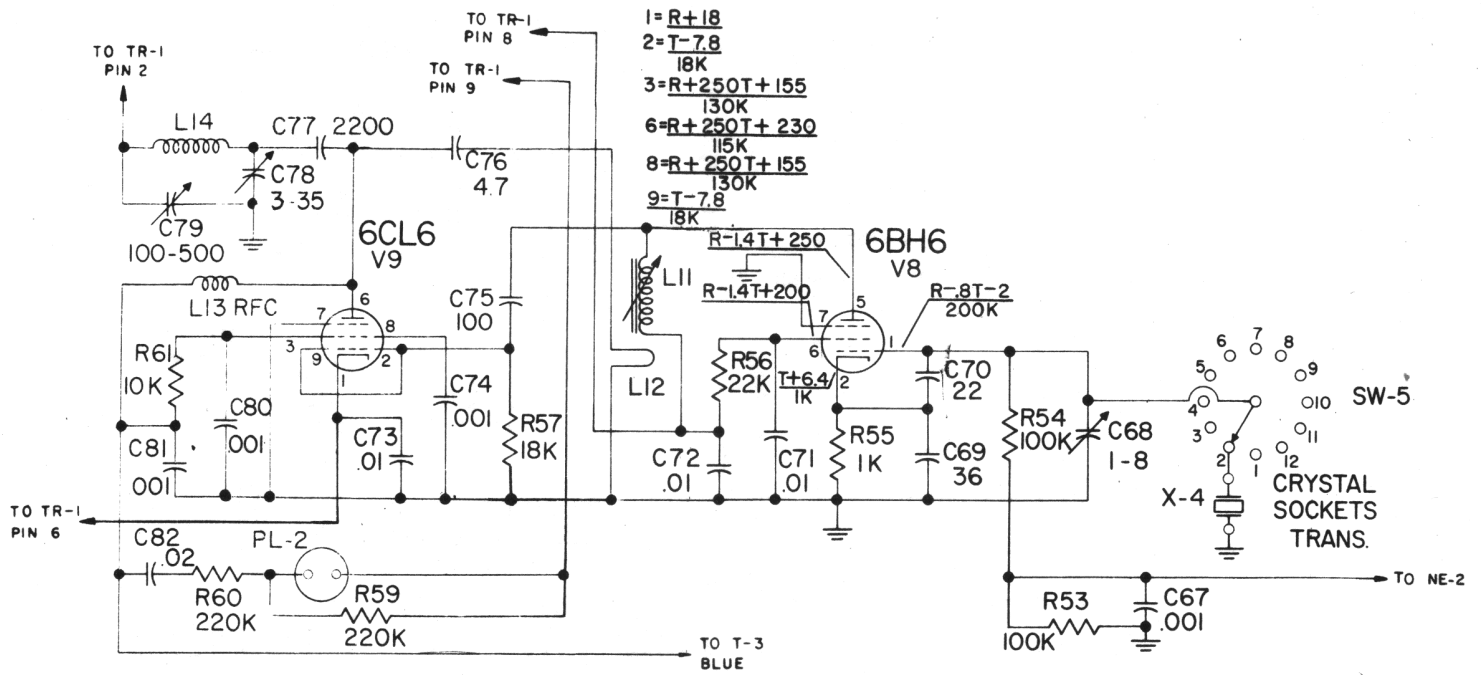


XTAL FILTER		
DRAWN BY - <i>BJH</i>	CHECKED BY - <i>WAR</i>	APPROVED BY - <i>[Signature]</i>
DATE - 9-14-61	DATE - 11-28-61	
INTERNATIONAL CRYSTAL MFG. CO., INC.		
18 N. LEE, OKLAHOMA CITY, OKLAHOMA		



PIN READINGS ON V9

- 1 = R+18
- 2 = T-7.8
- 3 = R+250T+155
- 6 = R+250T+230
- 8 = R+250T+155
- 9 = T-7.8

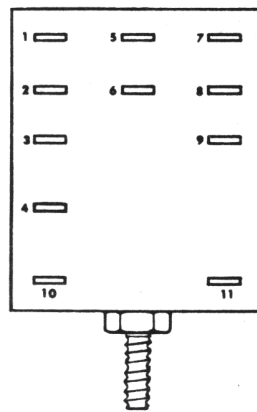


NOTE:

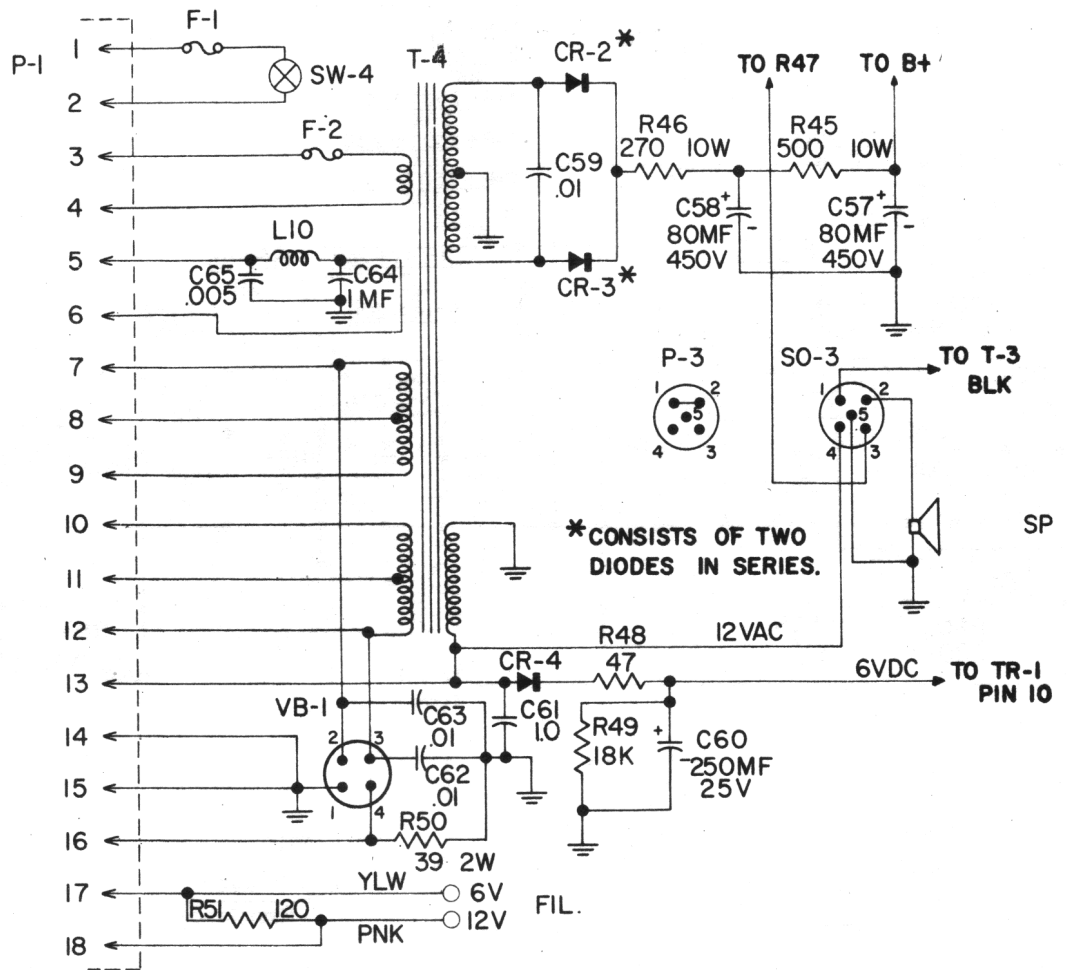
**Voltage Resistance**

T-TRANSMIT  
 R-RECEIVE  
 VOLTAGE MEASUREMENTS, NO SIGNAL  
 115 V OPERATION.  
 VOLTAGES WILL VARY FROM 6 TO  
 12 TO 115 VOLT OPERATION.  
 VOLTAGE MEASUREMENTS MADE  
 WITH VTVM  
 ALL READINGS ± 10%

RELAY TR-1



TRANSMITTER MODEL 100		
DRAWN BY - <i>WJL</i>	CHECKED BY - <i>WJL</i>	APPROVED - <i>WJL</i>
DATE - 9-12-61	DATE - 11-28-61	
INTERNATIONAL CRYSTAL MFG. CO., INC.		
18 N. LEE, OKLAHOMA CITY, OKLAHOMA		



### POWER SUPPLY CONNECTIONS

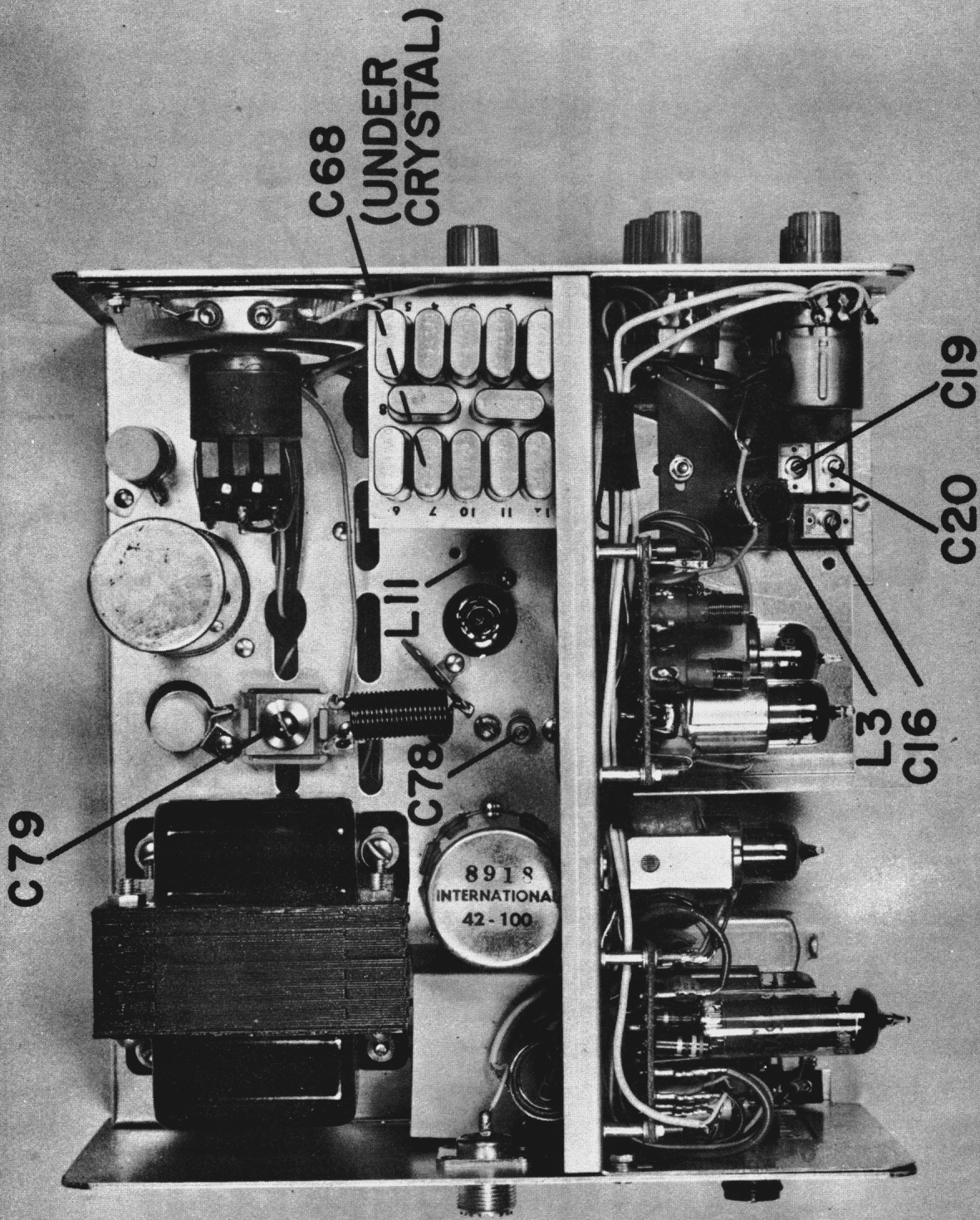
- 115VAC 115VAC TO PINS 1 & 4  
JUMPER PINS 2-3, 13-18
- 6VDC 6VDC HOT TO PIN 1  
6VDC GND TO PIN 14  
JUMPER PINS 2-5, 6-8, 8-11, 7-10  
9-12, 17-5, 15-18, 15-16
- 12VDC 12VDC HOT TO PIN 1  
12VDC GND TO PIN 14  
JUMPER PINS 2-5, 6-9, 9-10, 5-18

NOTE:

**Voltage**  
**Resistance**

T - TRANSMIT  
R - RECEIVE  
VOLTAGE MEASUREMENTS, NO SIGNAL  
115 V OPERATION.  
VOLTAGES WILL VARY FROM 6 TO  
12 TO 115 VOLT OPERATION.  
VOLTAGE MEASUREMENTS MADE  
WITH VTVM.  
ALL READINGS ±10%

POWER SUPPLY MODEL 100		
DRAWN BY - <i>SB</i>	CHECKED BY - <i>WR</i>	APPROVED BY - <i>RL</i>
DATE - 9-11-61	DATE - 11-28-61	
INTERNATIONAL CRYSTAL MFG. CO., INC.		
18 N. LEE, OKLAHOMA CITY, OKLAHOMA		



C79

C68  
(UNDER  
CRYSTAL)

L11

C78

8918  
INTERNATIONAL  
42-100

L3

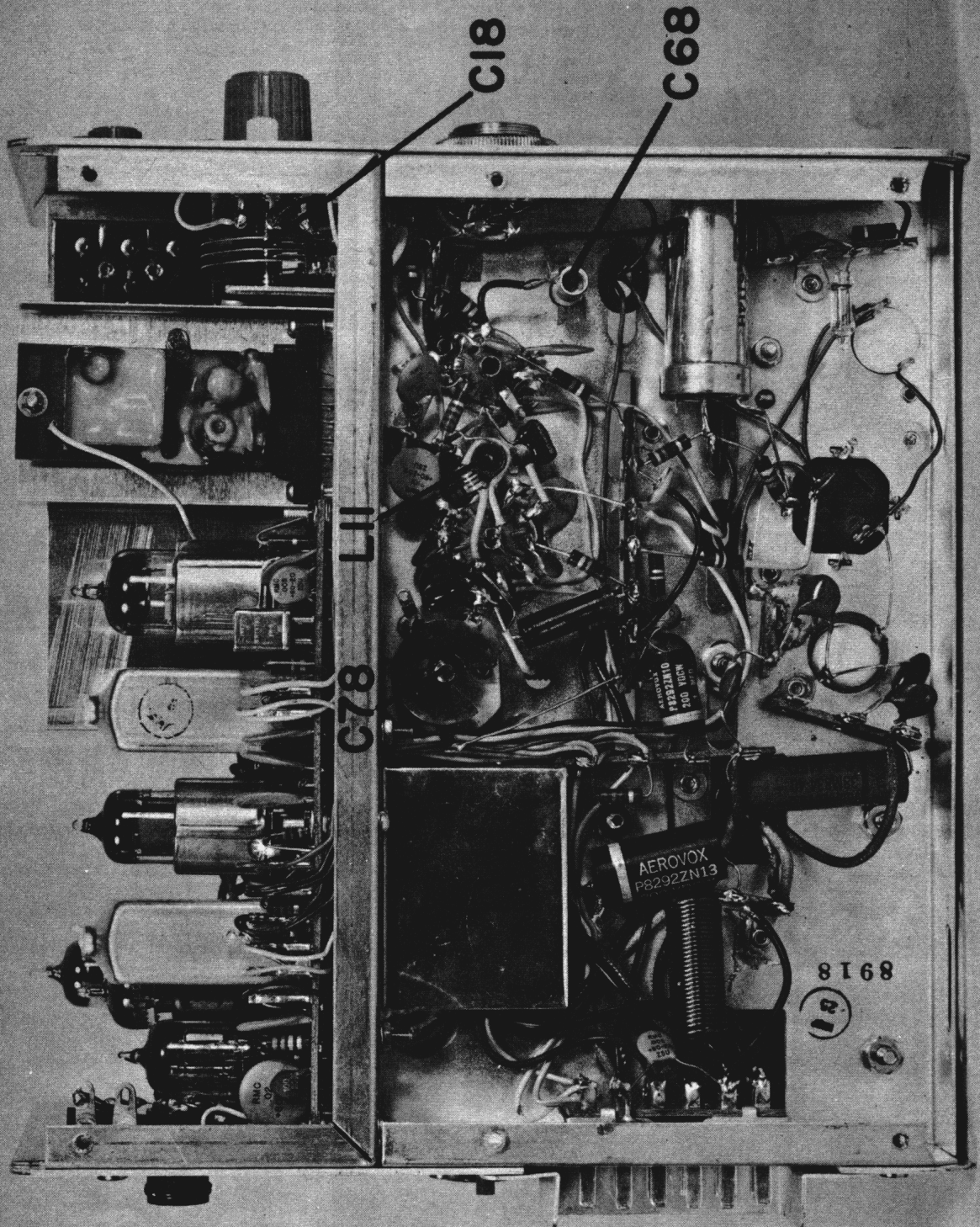
C16

C20

C19

TOP VIEW

POWER SUPPLY  
& TRANSMITTER



**BOTTOM VIEW**

**POWER SUPPLY  
& TRANSMITTER**