

**This Manual is provided by**  
**CBTricks.com**

Someone who wanted to help you repair your equipment  
scanned this manual.

If you would like to help us put more manuals online support us.

Supporters of CBTricks.com paid for the hosting so you would have this file.

CBTricks.com is a non-commercial personal website was created to help promote the exchange of service, modification, technically oriented information, and historical information aimed at the Citizens Band, GMRS (CB "A" Band), MURS, Amateur Radios and RF Amps.

CBTricks.com is not sponsored by or connected to any Retailer, Radio, Antenna Manufacturer or Amp Manufacturer, or affiliated with any site links shown in the links database. The use of product or company names on my web site is not endorsement of that product or company.

If your company would like to provide technical information to be featured on this site I will put up on the site as long as I can do it in a non-commercial way.

The site is supported with donation from users, friends and selling of the Galaxy Service Manual CD to cover some of the costs of having this website on the Internet instead of relying on banner ads, pop-up ads, commercial links, etc. to pay my costs. Thus I do not accept advertising banners or pop-up/pop-under advertising or other marketing/sales links or gimmicks on my website.

ALL the money from donations is used for CBTricks.com I didn't do all the work to make money (I have a day job). This work was not done for someone else to make money also, for example the ebay CD sellers.

All Trademarks, Logos, and Brand Names are the property of their respective owners.  
This information is not provided by, or affiliated in any way with any radio or antenna Manufacturers.  
Thank you for any support you can give.



# PHOTOFACT®

**TRADE NAME :** Gonset Models G-15(3428), G-15 (3429)  
**SUPPLIER :** Gonset Inc., A Subsidiary of Altec Lansing Corp., 1515 So. Manchester Ave., Anaheim, California  
**TYPE SET :** 10 Tube Transceiver  
**POWER SUPPLY :** 110 - 120 Volts AC, 60 Cycles (or) 6 (or) 12 Volt Storage Battery  
**RATING :** 72 Watts, .68A @ 117 VAC (Receiver)  
 70 Watts, .66A @ 117 VAC (Transmit)  
 5.2A @ 12.6VDC  
 10.4A @ 6.3VDC  
**TUNING RANGE :** Any 4 CB Channels 1 thru 22  
 Receiver may be continuously tuned



## ALIGNMENT INSTRUCTIONS

ALIGNMENT INSTRUCTIONS—READ CAREFULLY BEFORE ATTEMPTING ALIGNMENT	
<b>Suggested Alignment Tools:</b>	
A1, A2, A3, A4, A5, A6, A8, A9, A10, A14, A15, A16, A17, A18, A19. . . . .	GENERAL CEMENT #5004, 5009, 8195, 8274, 8275, 8607, 8728, 8987, 8988, 8989, 9291
	WALSCO #2515, 2520, 2522, 2523, 2531, 2532, 2534, 2537, 2538
A7, A11, A12, A13. . . . .	GENERAL CEMENT #8282, 8606, 8606-L, 9295, 9440
	WALSCO #2526, 2543, 2544, 2545

### RECEIVER ALIGNMENT

Connect DC probe of VTVM to point  $\diamond$ , common to ground. Squeelch control fully clockwise.

	SIGNAL GENERATOR	CHANNEL	ADJUST	REMARKS
1.	High side thru .01mfd to pin 7 (grid) of V3, common to ground. Tune to 455KC (Unmod.)	Any	A1, A2, A3, A4, A5, A6	Adjust for maximum deflection.
2.	High side thru .01mfd to pin 2 (grid) of V2. Tune to 1650KC (Unmod.)	Any	A7, A8, A9	"
3.	High side to antenna terminal, common to ground. Tune to Channel Frequency.	22 (27.225MC)	A10	Place receiver selector switch in manual tuning position. Adjust for maximum deflection.
4.	"	12 (27.105MC)	A11, A12	Adjust for maximum deflection.

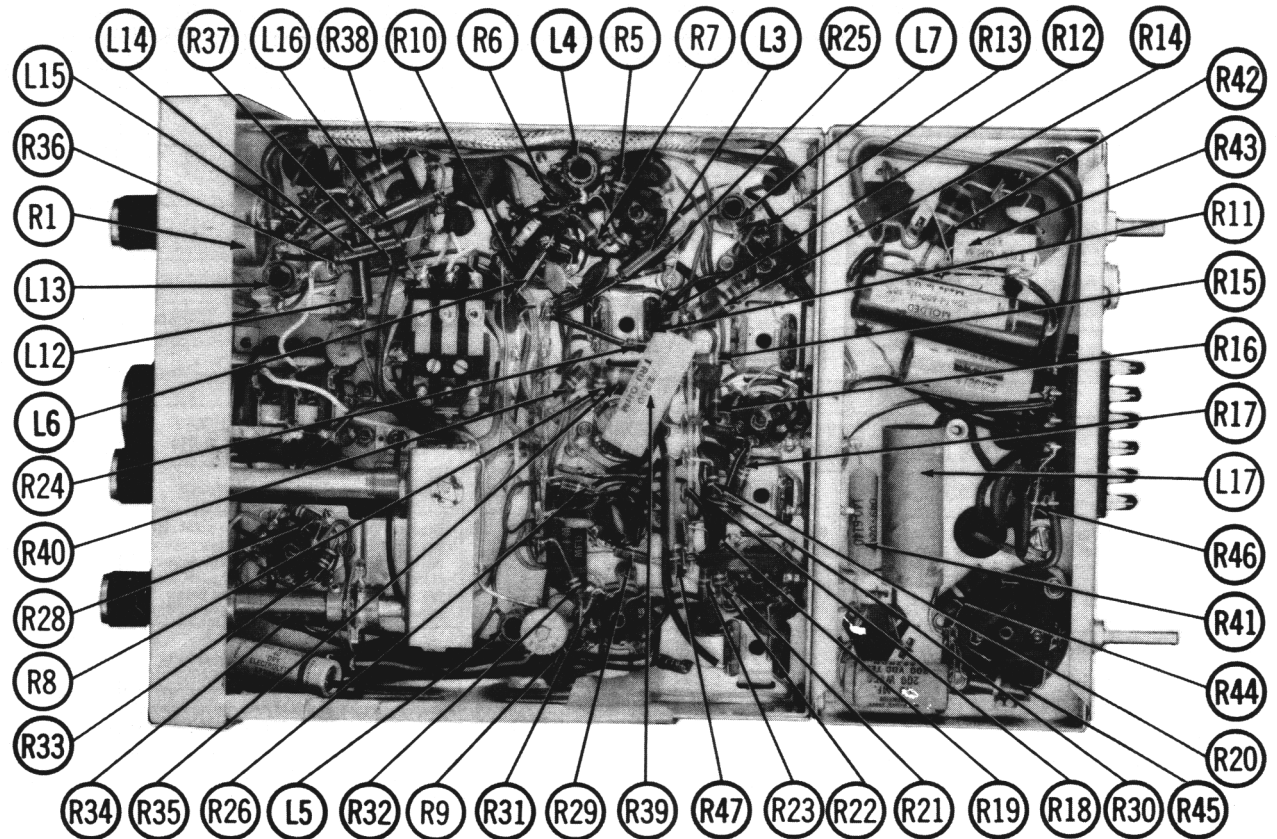
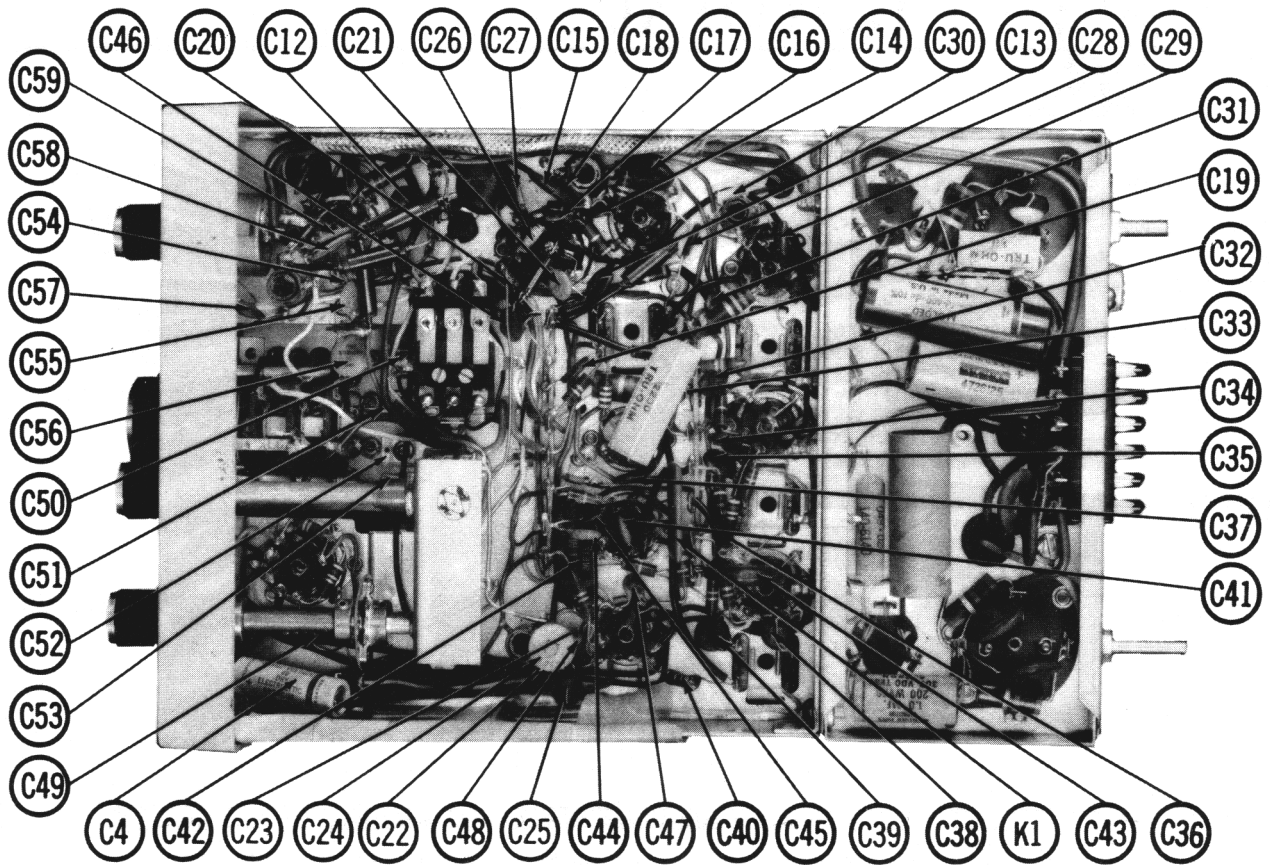
### TRANSMITTER ALIGNMENT

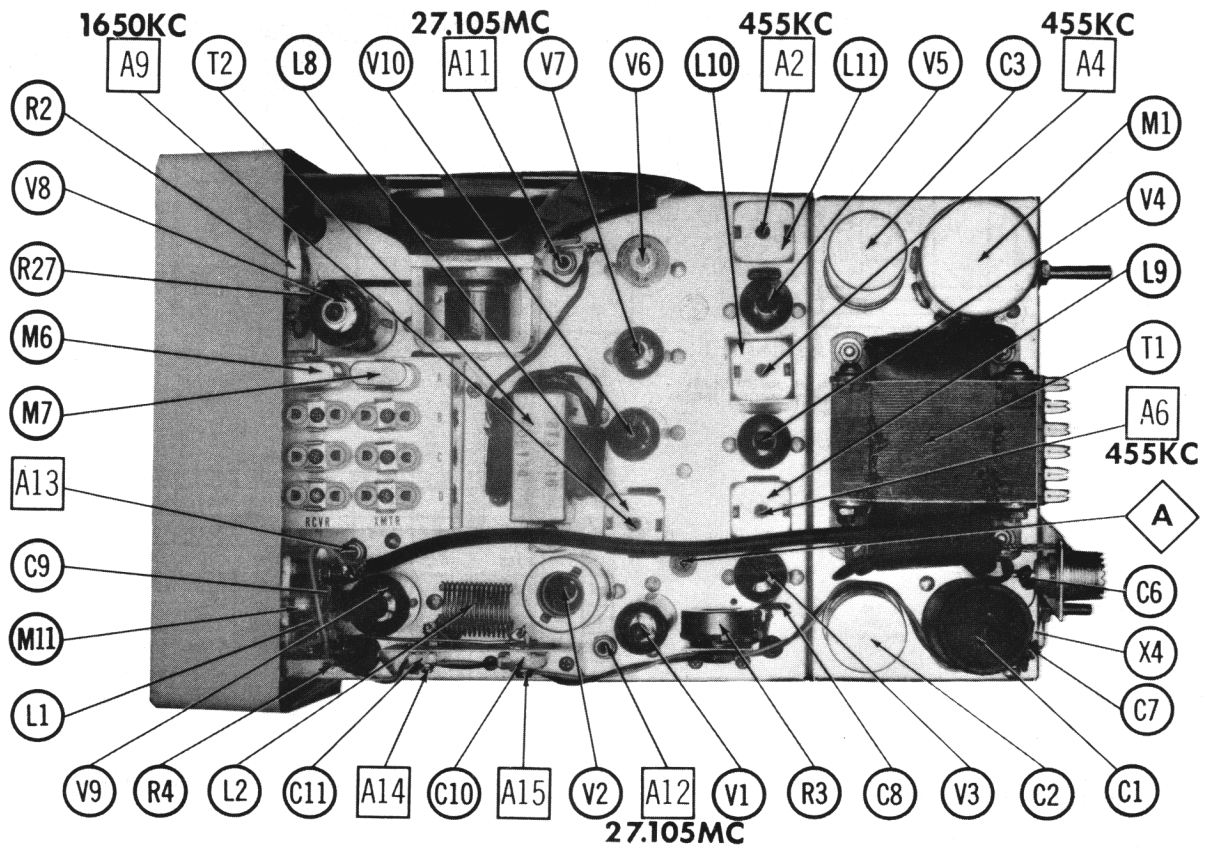
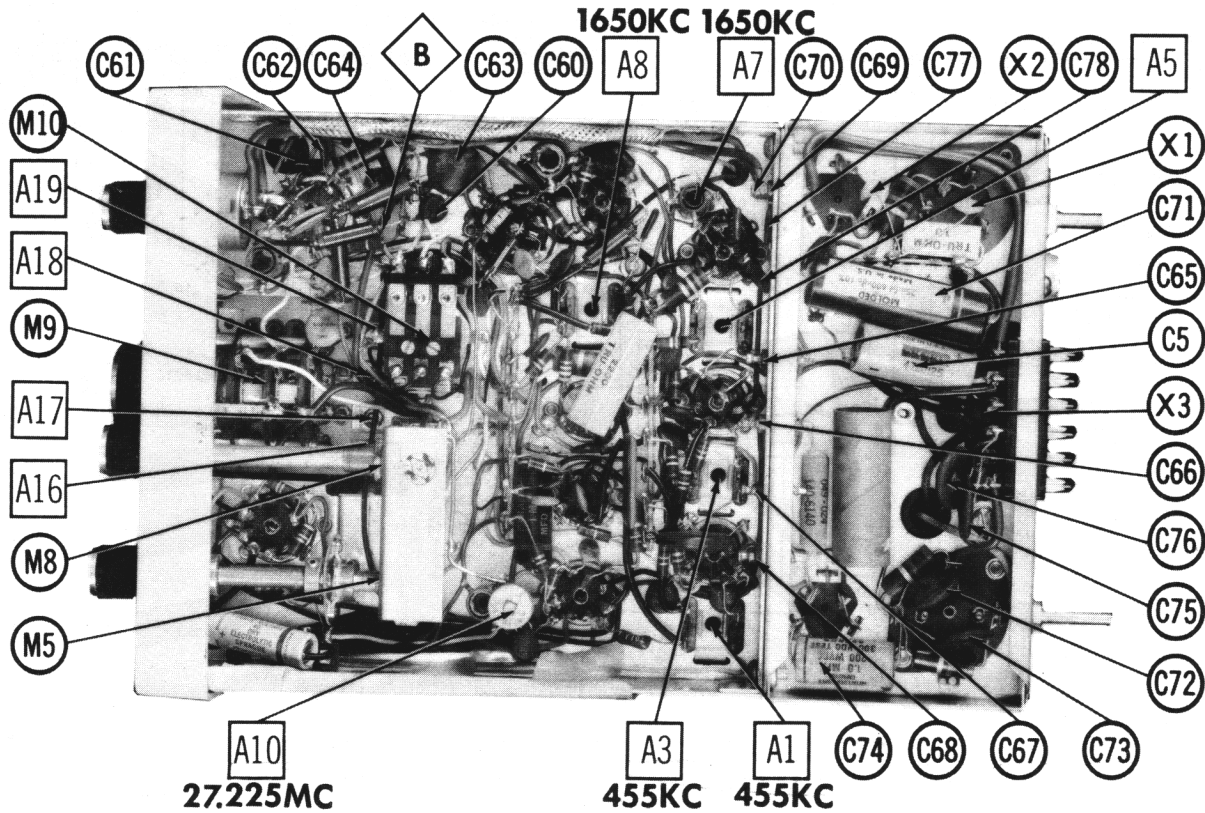
ONLY THOSE PERSONS PROPERLY LICENSED ARE PERMITTED TO MAKE REPAIRS OR ADJUSTMENTS WHICH MAY RESULT IN ILLEGAL OPERATION. (REFER TO FCC RULES & REGULATIONS PART 19, SUBPART D, SECTION 19.71)

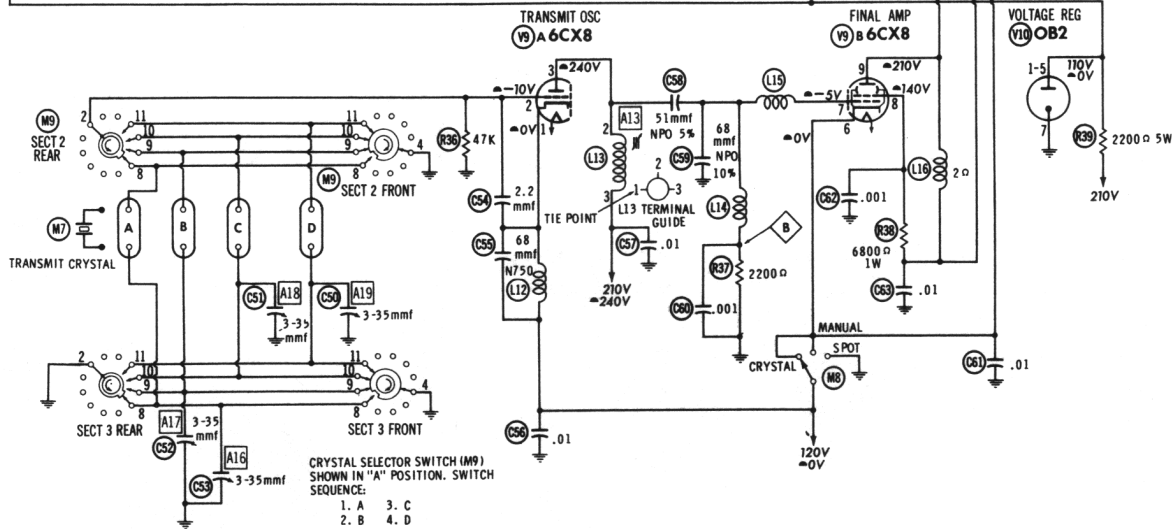
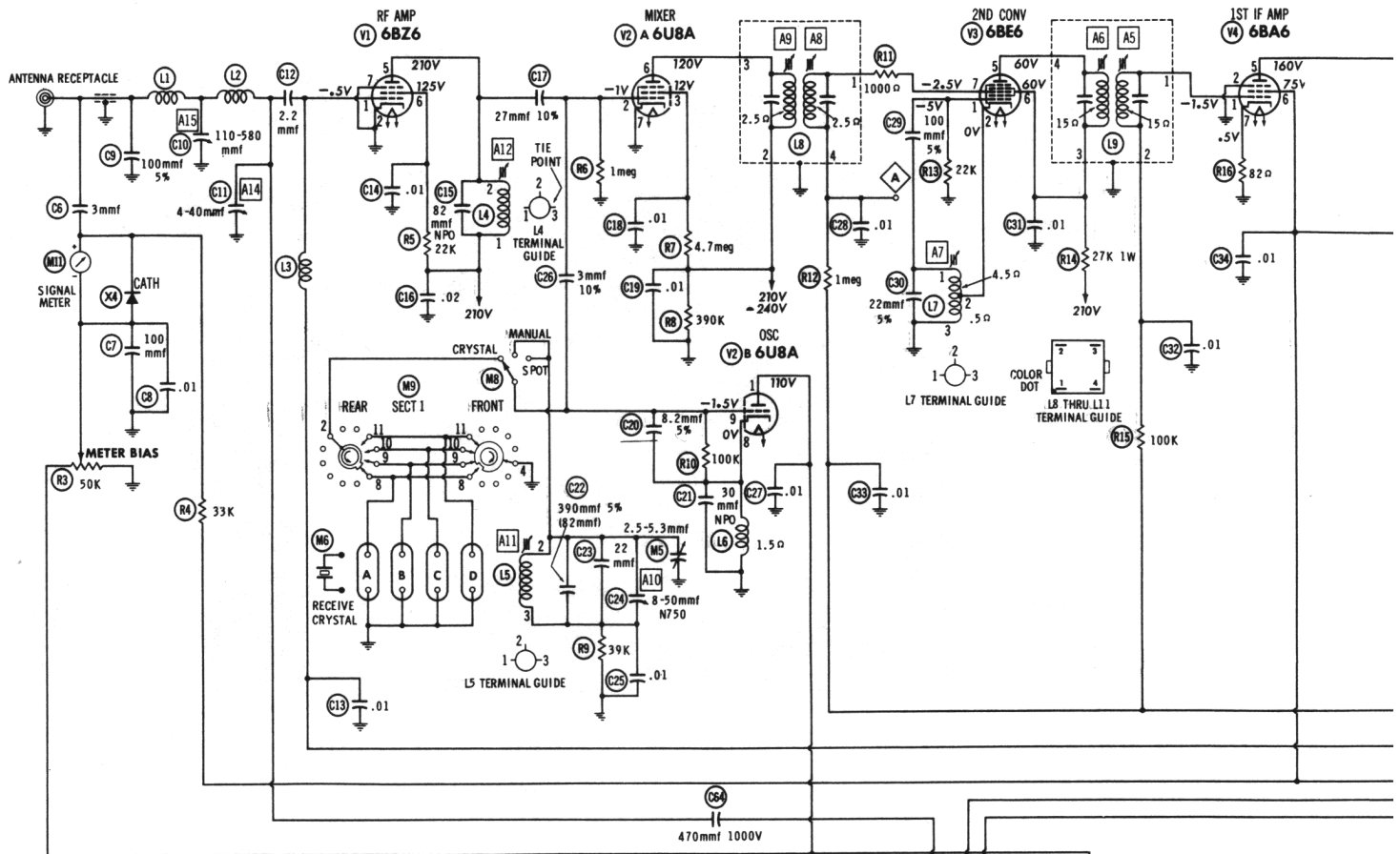
	SPECIAL INSTRUCTIONS	INDICATOR	ADJUST	REMARKS
1.	Connect dummy load or antenna. Set channel selector near center frequency.	RF Wattmeter and tuning meter front panel.	A13	Connect DC probe of VTVM to point $\diamond$ , common to ground. Depress microphone button. Adjust A13 for maximum deflection. Rock A13 to each side of peak, noting rate of dropoff. Set just below peak on side of dropoff. Remove VTVM.
2.	Antenna should be connected.	"	A14, A15	Key transmitter. Adjust for maximum as indicated by RF wattmeter or front panel meter.
3.		Qualified frequency meter.	A16, A17, A18, A19	Adjust so that each corresponding channel falls within .005% of frequency stamped on crystal.

GONSET MODELS G-15 (3428), G-15 (3429)

**HOWARD W. SAMS & CO., INC.** Indianapolis 6, Indiana







NUMBERS ASSIGNED TO COILS, SWITCHES, PLUGS, SOCKETS, AND TRANSFORMERS ARE TO FACILITATE CIRCUIT TRACING OR COMPONENT REPLACEMENT AND MAY NOT NECESSARILY BE FOUND ON THE UNIT.

SEE PARTS LIST FOR ALTERNATE VALUE OR APPLICATION

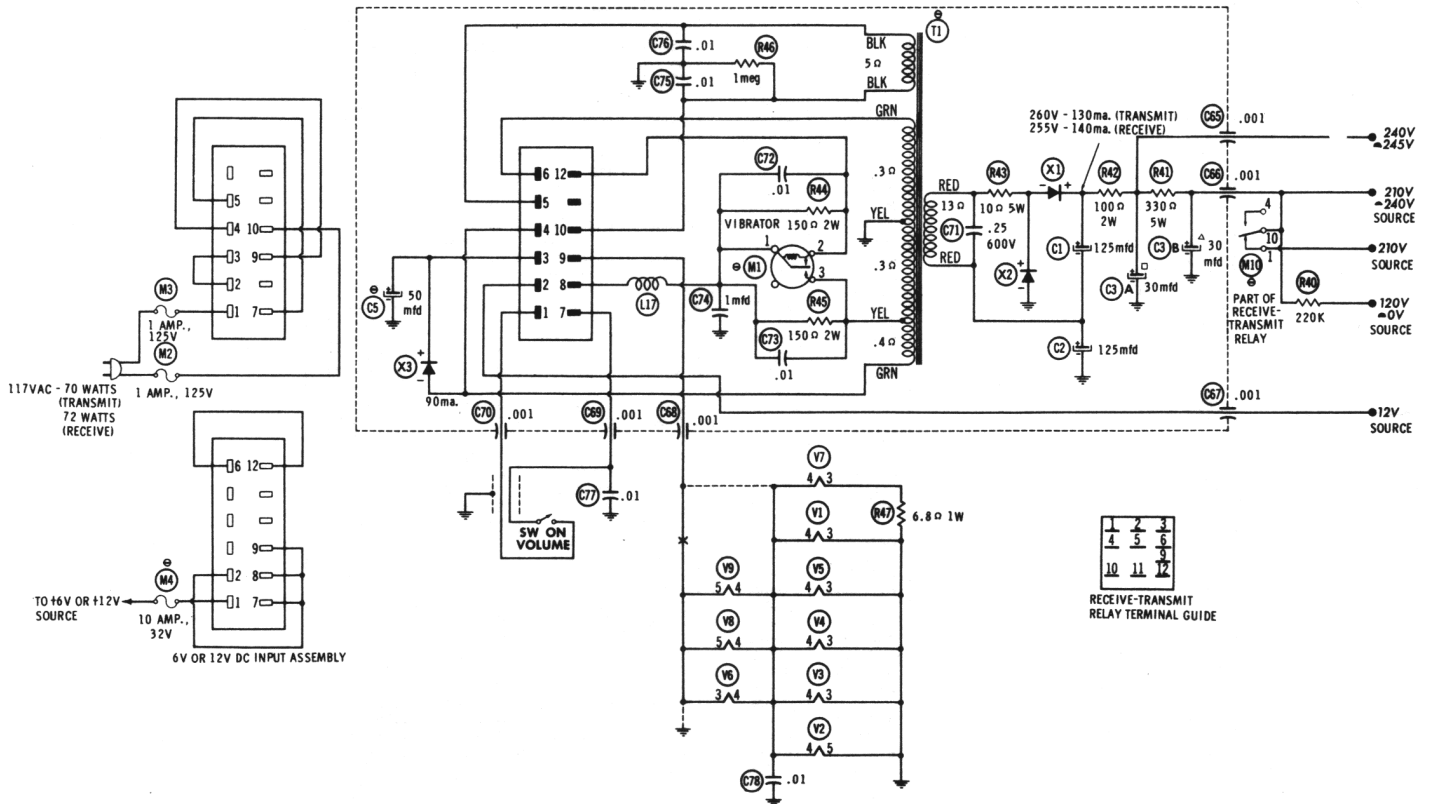
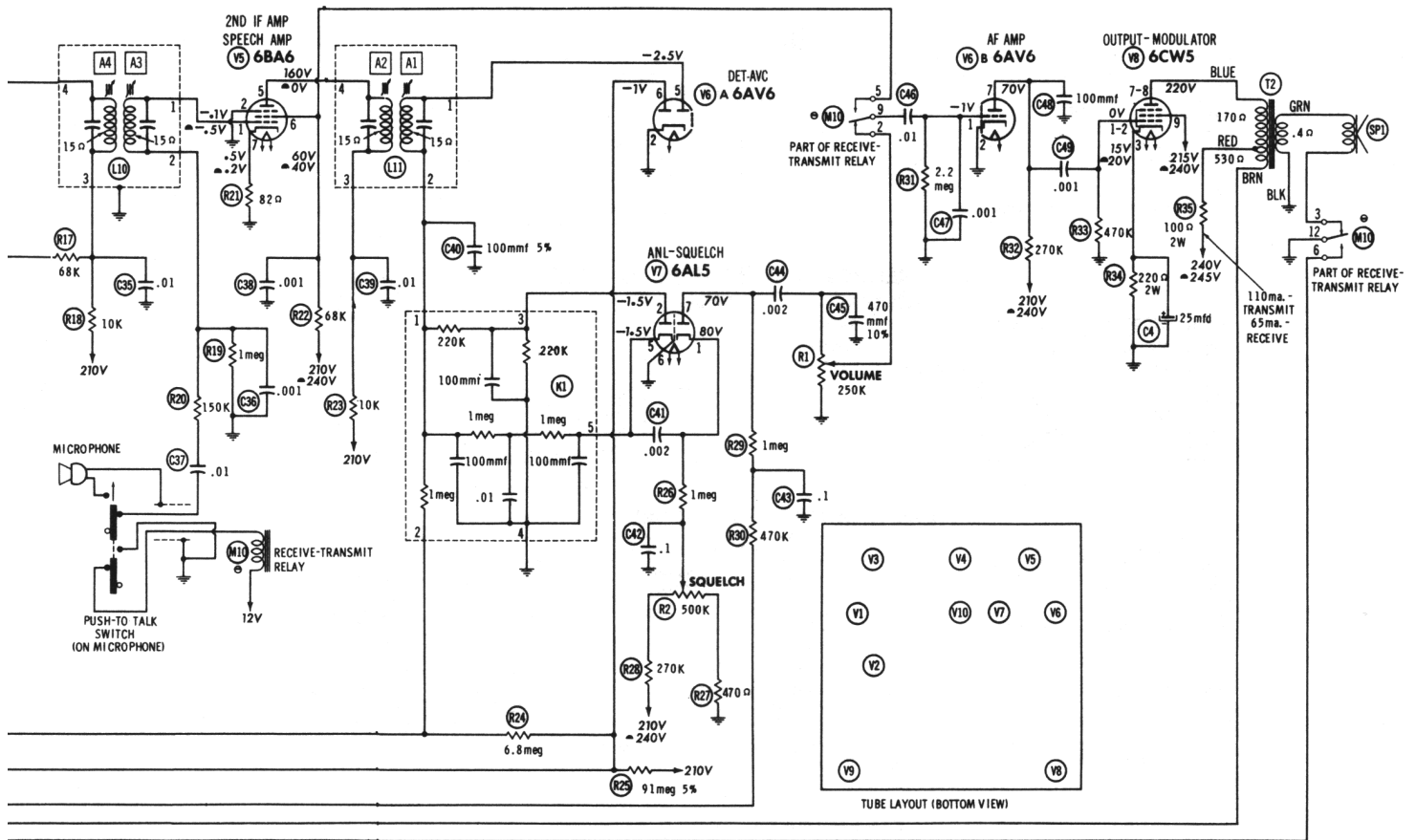
- DC voltage measurements taken with vacuum tube voltmeter; AC voltages measured with 1000 ohm per volt voltmeter.
- Socket connections are shown as bottom views.
- Measured values are from socket pin to common ground.
- Line voltage maintained at 117 volts for voltage readings.
- Nominal tolerance of component values makes possible a variation of  $\pm 15\%$  in voltage and resistance readings.

A PHOTOFAC STANDARD NOTATION SCHEMATIC  
©Howard W. Sams & Co., Inc. 1963

#### RESISTANCE READINGS

ITEM	TUBE	Pin 1	Pin 2	Pin 3	Pin 4	Pin 5	Pin 6	Pin 7	Pin 8	Pin 9
V1	6BZ6	8.2meg	0 $\square$	FIL	FIL	†430 $\square$	†22K	0 $\square$		
V2	6U8	†2200 $\square$	1meg	†5meg	FIL	FIL	†430 $\square$	0 $\square$	1 $\square$	100K
V3	6BE6	22K	.5 $\square$	FIL	FIL	†27K	†27K	2.5meg		
V4	6BA6	1.5meg	0 $\square$	FIL	FIL	†10K	†78K	82 $\square$		
V5	6BA6	1meg	0 $\square$	FIL	FIL	†1NF †10K	†68K	82 $\square$		
V6	6AV6	2.2meg	0 $\square$	FIL	FIL	450K	8.2meg	†270K		
V7	6AL5	1.5meg	450K	FIL	FIL	2.5meg	NC	†1.5meg		
V8	6CW5	NC	470K	220 $\square$	FIL	FIL	TP	†700 $\square$	NC	†100 $\square$
V9	6CX8	0 $\square$	47K	†430 $\square$	FIL	FIL	0 $\square$	2200 $\square$	†7500 $\square$	†750 $\square$
V10	OB2	†1NF †2600 $\square$	NC	NC	NC	†1NF †2600 $\square$	NC	0 $\square$		

ALL READINGS TAKEN IN "RECEIVE" POSITION UNLESS OTHERWISE DESIGNATED.  
 \* TAKEN IN "TRANSMIT" POSITION.  
 NC NO CONNECTION TP TIEPOINT † MEASURED FROM OUTPUT OF X1  
 SQUELCH CONTROL SET FOR NORMAL OPERATION.



"S POT" POSITION OF SWITCH M8 ENABLES THE RECEIVER TO BE TUNED TO THE EXACT TRANSMITTER FREQUENCY.

# PARTS LIST AND DESCRIPTION

## TUBES

♦ AMPEREX ♦		GENERAL ELECTRIC ♦		RCA ♦		RAYTHEON ♦		SYLVANIA ♦	
ITEM No.	USE	TYPE		ITEM No.	USE	TYPE			
V1	RF Amp.	6BZ6		V6	Det. -AVC -AF Amp.	6AV6			
V2	Mixer-Osc.	6U8A		V7	ANL-Squeelch	6AL5			
V3	2nd Converter	6BE6		V8	Output-Modulator	6CW5			
V4	1st IF Amplifier	6BA6		V9	Trans. Osc. -Final Amp.	6CX8			
V5	2nd IF Amp. -Speech Amp.	6BA6		V10	Voltage Regulator	OB2			

## POWER RECTIFIERS & SIGNAL DIODES

ITEM No.	CURRENT RATING (Measured)	ORIGINAL Part or Type No.	RECTIFIERS		DIODES	NOTES
			RCA PART No.	SARKES TARZIAN PART No.		
X1	.140A	474-010	1N3194	F4		HV Rectifier (5E4) HV Rectifier (5E4) Relay Control (1N2020) Meter Signal
X2	.140A	474-010	1N3194	F4		
X3	.090A	474-004	1N3193	2F4		
X4		475-001				

## ELECTROLYTIC CAPACITORS

ITEM No.	RATING		REPLACEMENT DATA						
	CAP.	VOLT.	GONSET PART No.	AEROVOX PART No.	CORNELL-DUBILIER PART No.	GENERAL ELECTRIC PART No.	MALLORY PART No.	PYRAMID PART No.	SPRAGUE PART No.
C1	125	200	073-018		XA0312	XC1-14	FP122		TVLS-1470*
C2	125	200	073-019		XA0312	XC1-14	FP122		TVLS-1470*
C3A	30	350	073-026	A FH2-39	B0310		FP227, 3	TMD2385	TVL-2628
C3B	30	350		PRS1260	BBR25-25	Q T1-11	TC-26	TD-25-25	TVA-1205
C4	25	25	073-127	PRS1265	BR50-25	Q T1-15	TC-29	TD-50-25	TVA-1206
C5	50	25	073-118 ①						

\* Not normally in distributor's stock. Available thru distributor on order to manufacturer.  
① Model G-15 (3428) uses 250mfd in this application (Part #073-078).

## FIXED CAPACITORS

ITEM No.	RATING	REMARKS	REPLACEMENT DATA					
			AEROVOX PART No.	CENTRALAB PART No.	CORNELL-DUBILIER PART No.	ELMENCO PART No.	MALLORY PART No.	SPRAGUE PART No.
C6	3		NPO-SI 3	DD-3R3	C10V3C	CCTO-3R3	GP-533	10TS-V33
C7	100		DI-100	DD-101	LI0T1	CCD-101	GP-310	10TS-T10
C8	.01		BPD-01	DD-103	BYA10S1	CCD-103	GP-110	10TS-S10
C9	100 5%		ADM-15-101	TCZ-100	C10T1U	CM-20B-101J	CNO-310	10TCC-T10
C10	110-580					467		
C11	4-40					422		
C12	2.2		NPO-SI 3.3	TCZ-2R2	C10V22C	CCTO-2R2	CNO-522	10TCC-V22
C13	.01		BPD-01	DD-103	BYA10S1	CCD-103	GP-110	10TS-S10
C14	.01		BPD-01	DD-103	BYA10S1	CCD-103	GP-110	10TS-S10
C15	82 NPO			TCZ-82	C10Q82C	CCTO-820	CNO-482	10TCC-Q82
C16	.02		BPD-02	DD-203	BYA10S2	CCD-203	GP-120	10TS-S20
C17	27 10%		DI-27	DD-270	LI0Q27	CCD-270	GP-427	10TS-Q27
C18	.01		BPD-01	DD-103	BYA10S1	CCD-103	GP-110	10TS-S10
C19	.01		BPD-01	DD-103	BYA10S1	CCD-103	GP-110	10TS-S10
C20	8.2 5%				C10V82C			10TCC-V82
C21	30 NPO		NPO-DI 33	TCZ-30	C10Q3C	CCTO-300		10TCC-Q30
C22	340 5%		ADM-15-391	TCN-390	22R5 T39	CM-20B-391J		10TCU-T39
C23	22 5%		ADM-15-220	TCZ-22	C10Q22C	CCTO-220	CNO-422	10TCC-Q22
C24	8-50 N750				822-AN			
C25	.01		BPD-01	DD-103	BYA10S1	CCD-103	GP-110	10TS-S10
C26	3 10%		DI-3.3	DD-3R3	C10V3C	CCTO-3R3	GP-533	10TS-V33
C27	.01		BPD-01	DD-103	BYA10S1	CCD-103	GP-110	10TS-S10
C28	.01		BPD-01	DD-103	BYA10S1	CCD-103	GP-110	10TS-S10
C29	100 5%		ADM-15-101	TCZ-100	C10T1C	CCTO-101	CNO-310	10TCC-T10
C30	22 5%		ADM-15-220	TCZ-22	C10Q22C	CCTO-220	CNO-422	10TCC-Q22
C31	.01		BPD-01	DD-103	BYA10S1	CCD-103	GP-110	10TS-S10
C32	.01		BPD-01	DD-103	BYA10S1	CCD-103	GP-110	10TS-S10
C33	.01		BPD-01	DD-103	BYA10S1	CCD-103	GP-110	10TS-S10
C34	.01		BPD-01	DD-103	BYA10S1	CCD-103	GP-110	10TS-S10
C35	.01		BPD-01	DD-103	BYA10S1	CCD-103	GP-110	10TS-S10
C36	.001		BPD-001	DD-102	BYA10D1	CCD-102	GP-210	10TS-D10
C37	.01		BPD-01	DD-103	BYA10S1	CCD-103	GP-110	10TS-S10
C38	.001		BPD-001	DD-102	BYA10D1	CCD-102	GP-210	10TS-D10
C39	.01		BPD-01	DD-103	BYA10S1	CCD-103	GP-110	10TS-S10
C40	100 5%		ADM-15-101	TCZ-100	C10T1C	CCTO-101	CNO-310	10TCC-T10
C41	.002		BPD-002	DD-202	BYA10D2	CCD-202	GP-220	10TS-Q22
C42	.1 200V		P288N-1	DF-104	CUB2P1	2DP-3-104	GEM-201	2PS-P10
C43	.1			DF-104	CUB6P1	6DP-4-104	GEM-801	6PS-P10
C44	.002		BPD-002	DD-202	BYA10D2	CCD-202	GP-220	10TS-D20
C45	470 10%		DI-470	DD-471	LI0T47	CCD-471	GP-347	10TS-T47
C46	.01		BPD-01	DD-103	BYA10S1	CCD-103	GP-110	10TS-S10
C47	.001		BPD-001	DD-202	BYA10D1	CCD-102	GP-210	10TS-D10
C48	100		DI-100	DD-101	LI0T1	CCD-101	GP-310	10TS-T10
C49	.001		BPD-001	DD-102	BYA10D1	CCD-102	GP-210	10TS-D10
C50	3-35					422		
C51	3-35					422		
C52	3-35					422		
C53	3-35					422		
C54	2.2		NPO-SI 2.2	TCZ-2R2	C10V22C	CCTO-2R2	CNO-522	10TCC-V22
C55	68 N750		N750-DI 68	TCN-68	C10Q68U	CCTN-680	CN7-468	10TCU-Q68
C56	.01		BPD-01	DD-103	BYA10S1	CCD-103	GP-110	10TS-S10
C57	.01		BPD-01	DD-103	BYA10S1	CCD-103	GP-110	10TS-S10
C58	51 NPO 5%		NPO-DI 50	TCZ-51	C10Q51C	CCTO-510	CNO-450	10TCC-Q50
C59	68 NPO 10%		NPO-DI 68	TCZ-68	C10Q68C	CCTO-680	CNO-468	10TCC-Q68
C60	.001		BPD-001	DD-102	BYA10D1	CCD-102	GP-210	10TS-D10

# PARTS LIST AND DESCRIPTION (CONTINUED)

## FIXED CAPACITORS (cont)

ITEM No.	RATING	REMARKS	REPLACEMENT DATA					
			AEROVOX PART No.	CENTRALAB PART No.	CORNELL-DUBILIER PART No.	ELMENCO PART No.	MALLORY PART No.	SPRAGUE PART No.
C61	.01		BPD-01	DD-103	BYA10S1	CCD-103	GP-110	10TS-S10
C62	.001		BPD-001	DD-102	BYA10D1	CCD-102	GP-210	10TS-D10
C63	.01		BPD-01	DD-103	BYA10S1	CCD-103	GP-110	10TS-S10
C64	470			DD30-471	HVB16T47		GP-347	10TS-T47
C65	.001		EF-001	FT-1000		CCF-102	CT250A	BH-240
C66	.001		EF-001	FT-1000		CCF-102	CT250A	BH-240
C67	.001		EF-001	FT-1000		CCF-102	CT250A	BH-240
C68	.001		EF-001	FT-1000		CCF-102	CT250A	BH-240
C69	.001		EF-001	FT-1000		CCF-102	CT250A	BH-240
C70	.001		EF-001	FT-1000		CCF-102	CT250A	BH-240
C71	.25 600V		P688N-25		CUB6P21	6DP-5-254	GEM-6025	6PS-P25
C72	.01		BPD-01	DD-103	BYA10S1	CCD-103	GP-110	10TS-S10
C73	.01		BPD-01	DD-103	BYA10S1	CCD-103	GP-110	10TS-S10
C74	1mfd 200V		P288N-1		CUB2W1		GEM-21	2TM-M1
C75	.01		BPD-01	DD-103	BYA10S1	CCD-103	GP-110	10TS-S10
C76	.01		BPD-01	DD-103	BYA10S1	CCD-103	GP-110	10TS-S10
C77	.01		BPD-01	DD-103	BYA10S1	CCD-103	GP-110	10TS-S10
C78	.01		BPD-01	DD-103	BYA10S1	CCD-103	GP-110	10TS-S10

† Alternate Value.

## CONTROLS

All wattages 1/2 watt, or less, unless otherwise listed.

ITEM No.	USE	RESISTANCE	REPLACEMENT DATA				
			GONSET PART No.	CENTRALAB PART No.	CLAROSTAT PART No.	CTS-IRC PART No.	MALLORY PART No.
R1	Volume & Switch	250K	052-081	B-51, KR-1 or (F2-250K, KR-1, SU204)	A47-250K-Z, SWE-12, FS-3	Q13-130, 76-1*	U44, US-26 or (UA254A, US-41, SF1000)
R2	Squelch	500K	052-082	B-59 or (F1-500K, SU204)	A47-500K-S, FS-3	Q11-133	U50 or (UA55L, SF1000)
R3	Bias, Meter	50K	052-109	AB-31, AK-1 or (F1-50K, SS006)	A47-50K-Z, FKS-1/2		UA54A

\* Use Metal Housing Switch.

## RESISTORS

All wattages 1/2 watt, or less, unless otherwise listed.

ITEM No.	RATING	REPLACEMENT DATA			ITEM No.	RATING	REPLACEMENT DATA		
		IRC PART No.	WORKMAN PART No.	REMARKS			IRC PART No.	WORKMAN PART No.	REMARKS
R4	33K				R27	470Ω			
R5	22K				R28	270K			
R6	1meg				R29	1meg			
R7	4.7meg				R30	470K			
R8	390K				R31	2.2meg			
R9	39K				R32	270K			
R10	100K				R33	470K			
R11	1000Ω				R34	220Ω 2W			
R12	1meg				R35	100Ω 2W			
R13	22K				R36	47K			
R14	27K 1W				R37	2200Ω			
R15	100K				R38	6800Ω 1W			
R16	82Ω				R39	2200Ω 5W	PW5-2200	5W-SQ-2200	
R17	68K				R40	220K			
R18	10K				R41	330Ω 5W	PW5-330	5W-SQ-330	
R19	1meg				R42	100Ω 2W			
R20	150K				R43	10Ω 5W	PW5-10	5W-SQ-10	
R21	82Ω				R44	150Ω 2W			
R22	68K				R45	150Ω 2W			
R23	10K				R46	1meg			
R24	6.8meg				R47	6.8Ω 1W			
R25	91meg 5%								
R26	1meg								

## COILS (RF-IF)

ITEM No.	USE	REPLACEMENT DATA					NOTES
		GONSET PART No.	Merit PART No.	Miller PART No.	Stancor PART No.	Workman PART No.	
L1	RF Choke (.56uh)	027-077	TV-239	4588	RTC-8513	T958	
L2	Final Tank (2uh)	012-512					
L3	RF Choke (5.6uh)	027-028	BC-565	4609	RTC-8519	T959	
L4	Rec. RF Coil	012-414	TV-118	6171-A	RTC-8609	T216	
L5	Rec. Osc. Coil	012-544		4202			
L6	RF Choke (5.4uh)	027-004	BC-565	4609	RTC-8519	T959	
L7	Rec. Osc. Coil	012-511					
L8	1650K IF	014-032					
L9	455KC IF	014-086	BC-352	12-C1	RTC-8632	T607	
L10	455KC IF	014-086	BC-353	12-C2	RTC-8633	T608	
L11	455KC IF	014-086	BC-353	12-C2	RTC-8633	T608	
L12	RF Choke (5.6uh)	027-028	BC-565	4609	RTC-8519	T959	
L13	Osc. Doubler	012-415	TV-118	4304	RTC-8609	T216	
L14	RF (5.6uh)	027-028	BC-565	4609	RTC-8519	T959	
L15	RF (.47uh)	027-073	TV-239	4588	RTC-8513	T958	
L16	RF (15uh)	027-032		4624	RTC-8524		
L17	Hash Choke	027-010	BC-537	5219	RTC-9181	T963	

## COMPONENT COMBINATIONS

ITEM No.	USE	DESCRIPTION	GONSET PART No.	REPLACEMENT DATA
K1	Squelch-AVC Network	.01mfd, (3) 100mfd, (2) 220K, (3) 1meg	069-003	



# PARTS LIST AND DESCRIPTION (CONTINUED)

## TRANSFORMER (POWER)

ITEM No.	RATING			REPLACEMENT DATA					NOTES
	PRI.	SEC. 1	SEC. 2	GONSET PART No.	MERIT PART No.	STANCOR PART No.	THORDARSON PART No.	TRIAD PART No.	
T1	117VAC ① .68A (or) 12.6VDC ② 5A	115VAC ① .14A DC	12.6VAC ② 1.8A	271-068-F ①					① Part #271-071-C used in Model G-15 (3428)

## TRANSFORMER (AUDIO OUTPUT)

ITEM No.	IMPEDANCE		REPLACEMENT DATA					NOTES
	PRI.	SEC.	GONSET PART No.	Merit PART No.	Stancor PART No.	Thordarson PART No.	Triad PART No.	
T2	11K Tap ① 3600Ω	3-4Ω	273-016					

## SPEAKER

ITEM No.	TYPE			REPLACEMENT DATA		NOTES
	SIZE	FIELD	V. C. IMP.	GONSET PART No.	QUAM PART No.	
SP1	3"x 5"	PM	3-4Ω	152-023	35A05	

## VIBRATOR

ITEM No.	TYPE	INPUT VOLTS	FRE-QUENCY	REPLACEMENT DATA			NOTES
				GONSET PART No.	CORNELL-DUBILIER PART No.	MALLORY PART No.	
M1	Interrupter Interrupter	12 6	115v 115v	117-003 117-008	6371 5371	G1601 1601	Model G-15 (3429) Model G-15 (3428)

## FUSES

ITEM No.	TYPE	RATING	REPLACEMENT DATA					
			GONSET PART No.		LITTELFUSE PART No.		BUSS PART No.	
			FUSE	HOLDER	FUSE	HOLDER	FUSE	HOLDER
M2	3AG S/B	1A 125V	482-055		313001 (3AG 1A 250V)		MDL 1	
M3	3AG S/B	1A 125V	482-055		313001 (3AG 1A 250V)		MDL 1	
M4	3AG	10A 32A	482-007 ①		311010 (3AG 10A 32V)	155020	AGC 10	HHJ-B
	3AG	20A 32V	482-008 ②		307020 (3AG 20A 32V)	155020	AGC20	HRJ

① 12-Volt Version.  
② 6-Volt Version.

## MISCELLANEOUS

ITEM No.	PART NAME	GONSET PART No.	NOTES
M5	Tuning Cap.	074-112	1 Gang (2.5-5.3mmf)
M6	Crystal	486-101-R	Receive (Specify Channel & Frequency Desired)
M7	Crystal	486-101-T	Transmit (Specify Channel & Frequency Desired)
M8	Switch	171-134	Crystal, Manual, SPOT (Rotary Wafer Type)
M9	Switch	171-096	Crystal Selector (Rotary Wafer Type)
M10	Relay	111-091	Receive-Transmit (12V)
	Relay	111-090	Receive-Transmit (6V)
M11	Meter	112-040	Signal

## WIRING DATA

General-use Hook-up Wire ....	Use BELDEN No. 8530 (Solid) Available in 12 Colors 8524 (Stranded) Available in 12 Colors
Shielded Antenna Lead .....	Use BELDEN No. 8214 Lowest Loss (RG-8/U Type) 8237 Low Loss (RG-8/U) 8240 (Solid) Miniature (RG-58/U) 8259 (Stranded) Miniature (RG-58A/U)
Coiled Microphone Cable .....	Use BELDEN No. 8497 3 Conductor- 1 Shielded for Press-to-Talk (Neoprene) 8496 3 Conductor- 1 Shielded for Press-to-Talk (Vinyl)
Ignition Noise Suppression ....	Use BELDEN No. 7300-Series Spark-Plug Sets
Bonding Strap .....	Use BELDEN No. 8661 (3/8 In.)