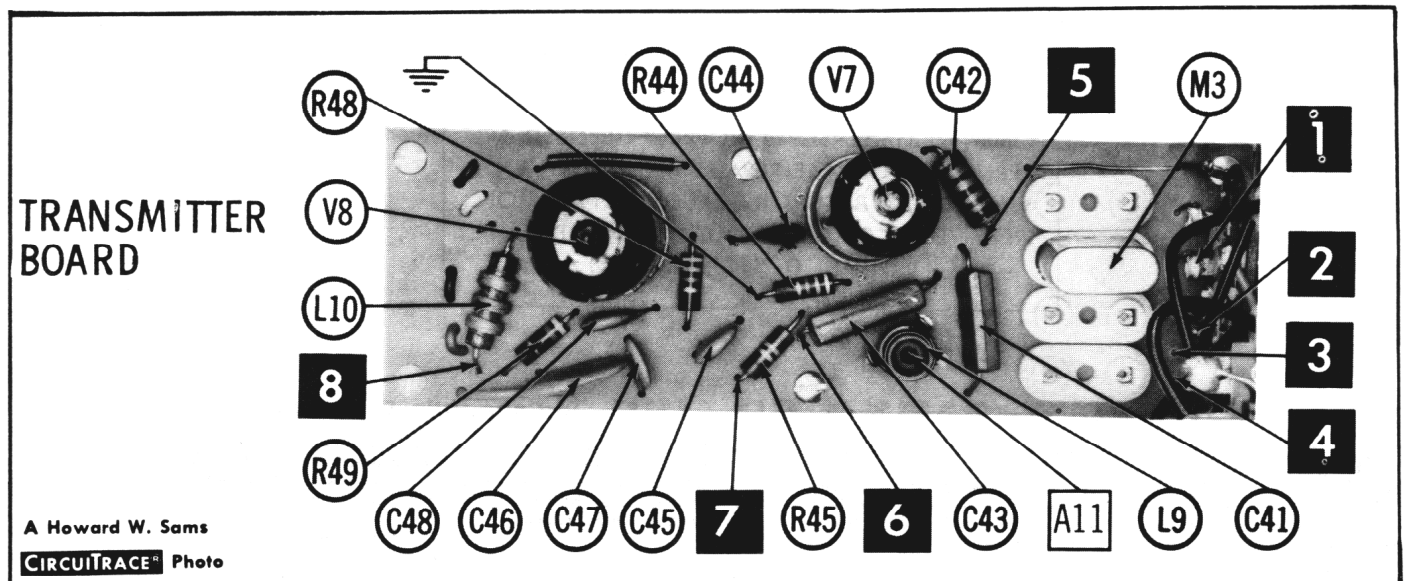
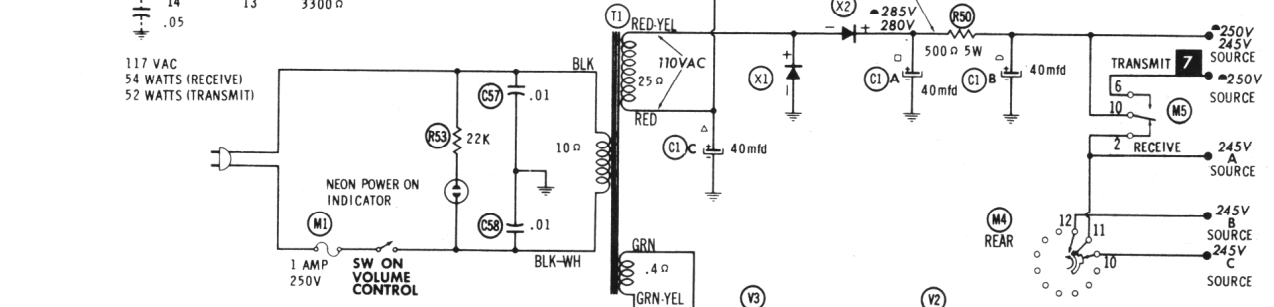
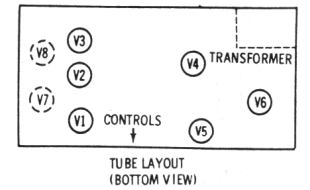
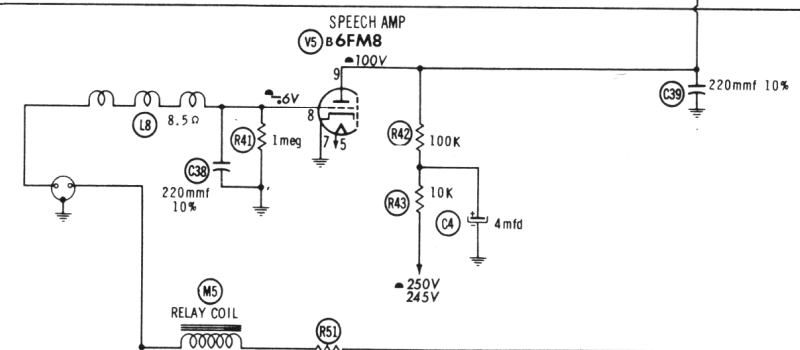
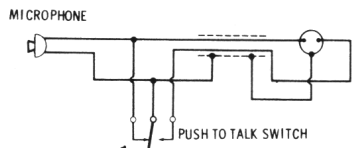
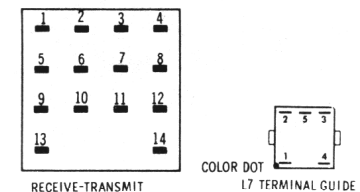
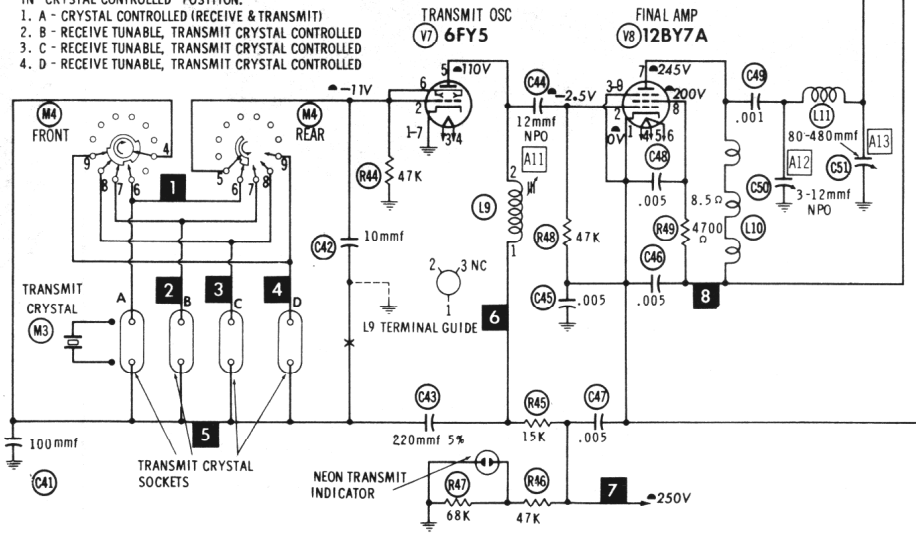


- DC voltage measurements taken with vacuum tube voltmeter;
- AC voltages measured with 1000 ohm per volt voltmeter.
- Socket connections are shown as bottom views.
- Measured values are from socket pin to common ground.
- Line voltage maintained at 117 volts for voltage readings.
- Nominal tolerance of component values makes possible a variation of ±15% in voltage and resistance readings.
- All controls at minimum, proper output load connected.

CHANNEL SELECTOR SWITCH M4 SHOWN IN "CRYSTAL CONTROLLED" POSITION.

- A - CRYSTAL CONTROLLED (RECEIVE & TRANSMIT)
- B - RECEIVE TUNABLE, TRANSMIT CRYSTAL CONTROLLED
- C - RECEIVE TUNABLE, TRANSMIT CRYSTAL CONTROLLED
- D - RECEIVE TUNABLE, TRANSMIT CRYSTAL CONTROLLED



A Howard W. Sams
CIRCUITRACE® Photo

RESISTANCE READINGS

ITEM	TUBE	Pin 1	Pin 2	Pin 3	Pin 4	Pin 5	Pin 6	Pin 7	Pin 8	Pin 9
V1	6BA6	2.5meg	0Ω	FIL	FIL	+1500Ω	147K	0Ω		
V2	6U8A	+122K	1meg	+100K	FIL	FIL	+1500Ω	0Ω	47Ω	47K
V3	6U8A	+147K	2.5meg	+100K	FIL	FIL	+1500Ω	0Ω	0Ω	47K
V4	6U8A	+1490K	2.5meg	+100K	FIL	FIL	+1500Ω	0Ω	4700Ω	470K
V5	6FM8	1meg	1.5meg	1.5meg	FIL	FIL	1meg	0Ω	1meg	+110K
V6	6AQ5A	470K	560Ω	FIL	FIL	+900Ω	+500Ω	470K		
V7	6FY5	0Ω	47K	FIL	FIL	+15K	47K	0Ω		
V8	12BY7A	0Ω	47K	0Ω	FIL	FIL	+830Ω	+5500Ω	0Ω	

ALL MEASUREMENTS TAKEN IN "RECEIVE" POSITION UNLESS OTHERWISE DESIGNATED.
 † MEASURED FROM OUTPUT OF X2. ■ TAKEN IN SWITCH POSITION B, C OR D.
 ▲ TAKEN IN "TRANSMIT" POSITION. ▲ TAKEN IN SWITCH POSITION A WITHOUT RECEIVE CRYSTAL.

EICO MODELS 770, 770W
 A PHOTOFAC STANDARD NOTATION SCHEMATIC with CIRCUITRACE
 ©Howard W. Sams & Co., Inc. 1963