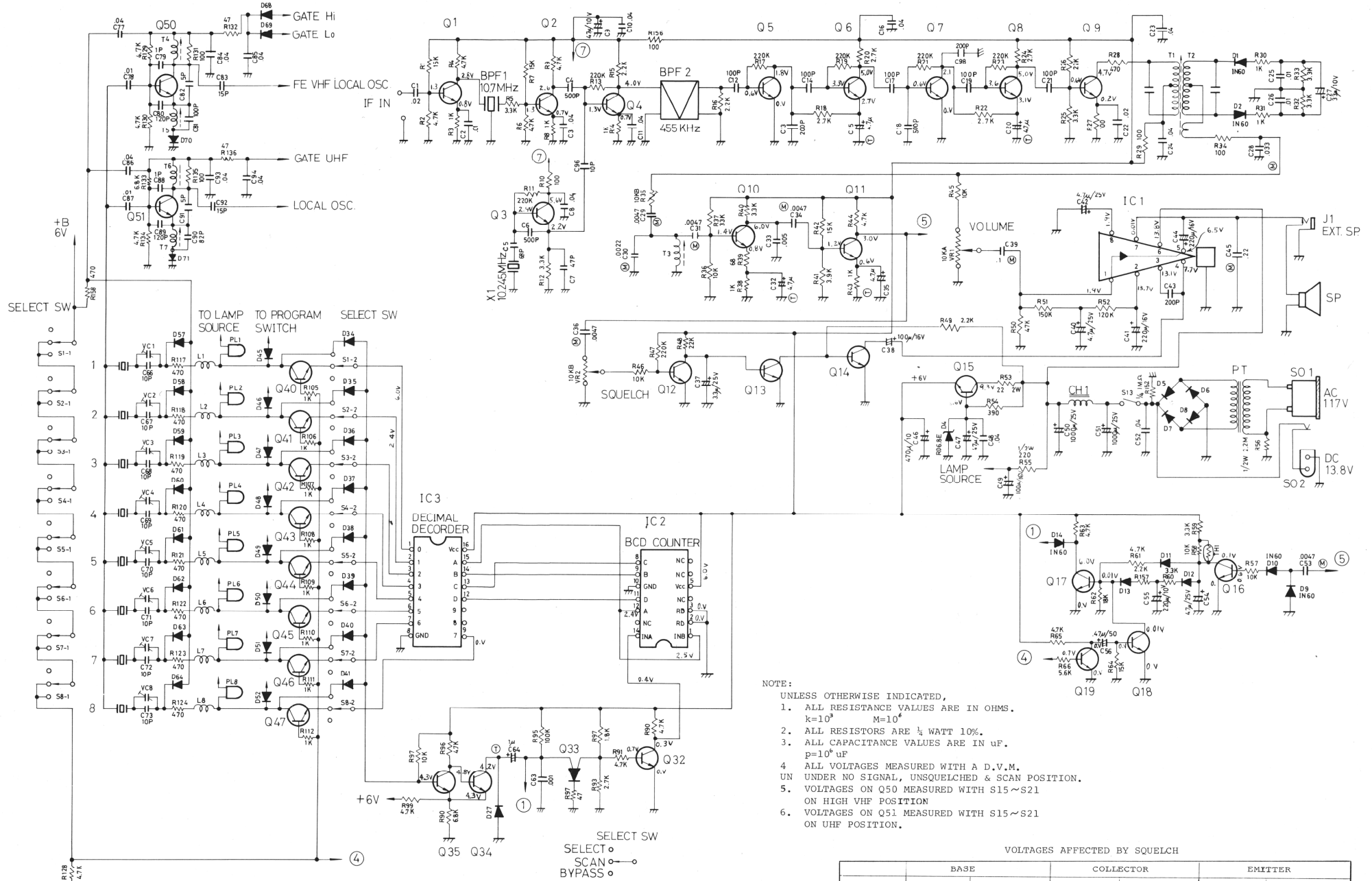


# 4353 SCHEMATIC DIAGRAM



NOTE:  
 UNLESS OTHERWISE INDICATED,  
 1. ALL RESISTANCE VALUES ARE IN OHMS.  
    k=10<sup>3</sup>  
    M=10<sup>6</sup>  
 2. ALL RESISTORS ARE 1/2 WATT 10%.  
 3. ALL CAPACITANCE VALUES ARE IN uF.  
    p=10<sup>-6</sup> uF  
 4. ALL VOLTAGES MEASURED WITH A D.V.M.  
 UN UNDER NO SIGNAL, UNSQUELCHED & SCAN POSITION.  
 5. VOLTAGES ON Q50 MEASURED WITH S15~S21  
    ON HIGH VHF POSITION  
 6. VOLTAGES ON Q51 MEASURED WITH S15~S21  
    ON UHF POSITION.

VOLTAGES AFFECTED BY SQUELCH

	BASE		COLLECTOR		EMITTER	
	SQUELCHED	UNSQUELCHED	SQUELCHED	UNSQUELCHED	SQUELCHED	UNSQUELCHED
Q12	0.4V	0.3V	0.1V	0.7V	0.0V	0.0V
Q13	0.1V	0.7V	0.8V	0.1V	0.0V	0.0V
Q14	0.8V	0.03V	0.1V	0.0V	0.0V	0.0V
Q40~Q47		5.6V		5.5V		5.0V