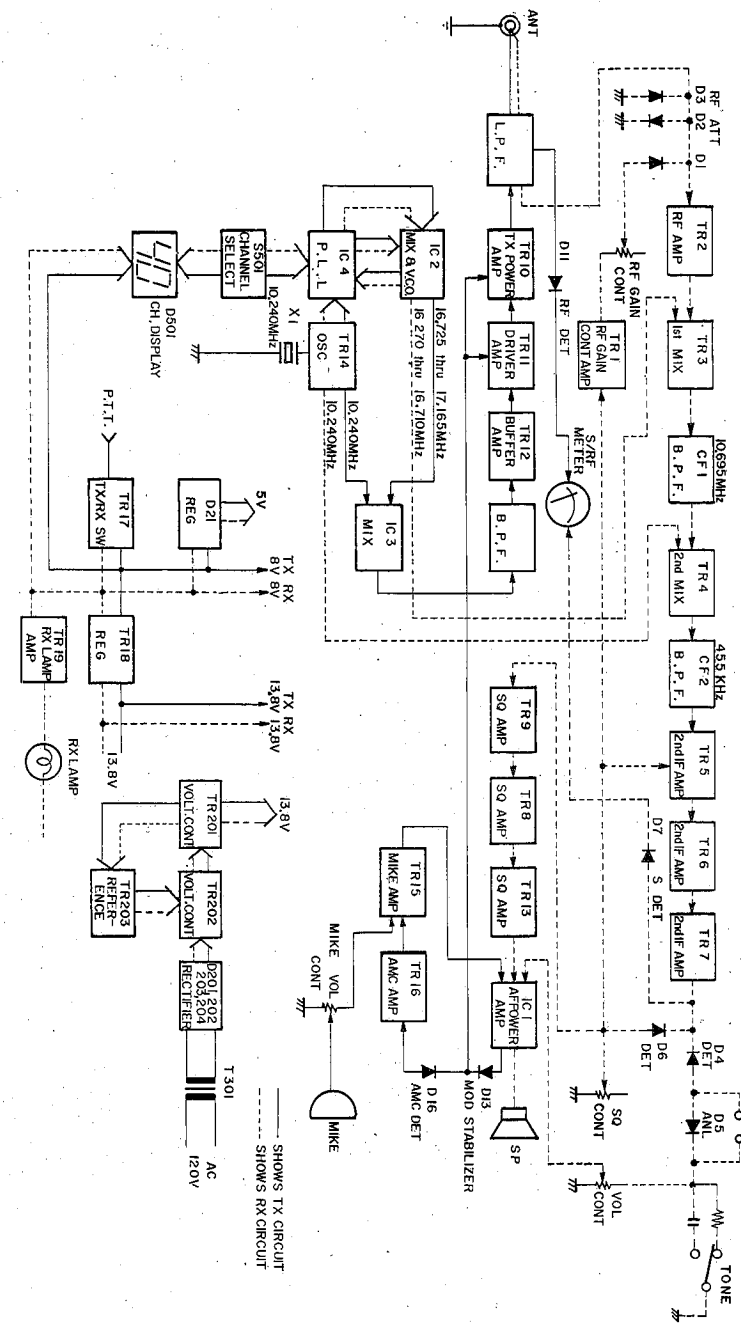
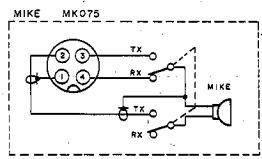
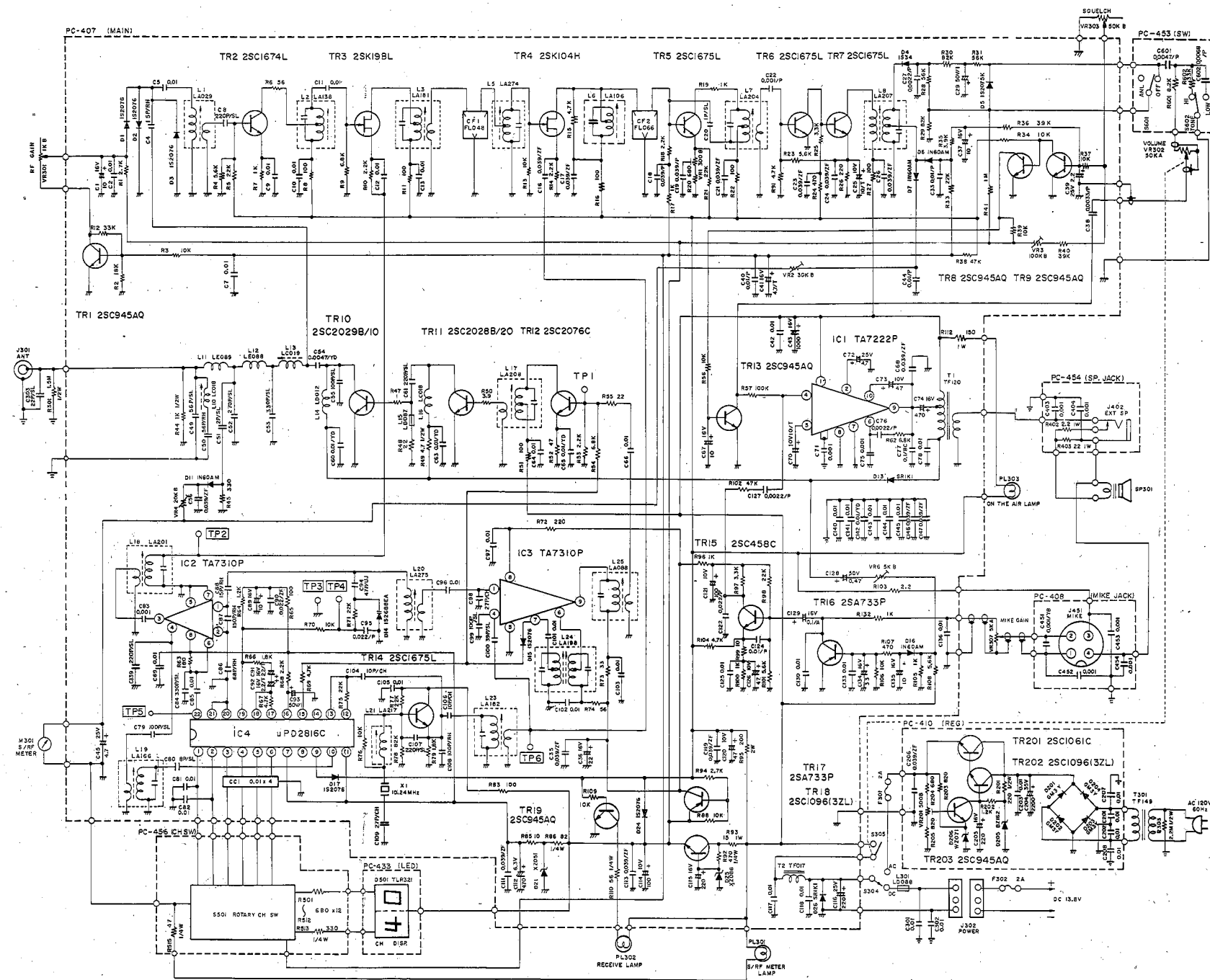


CIRCUIT DIAGRAM FOR COBRA 87GTL



BLOCK DIAGRAM FOR COBRA 87GTL



- NOTES:**
1. RESISTANCE VALUES ARE SHOWN IN OHMS UNLESS OTHERWISE NOTED. (K=KILO OHM M=MEG OHM)
 2. RESISTOR WATTAGES ARE 1/8W UNLESS OTHERWISE SPECIFIED.
 3. CAPACITANCE VALUES ARE INDICATED IN MICROFARADS UNLESS OTHERWISE SPECIFIED. (P=PICO-MICROFARAD)
 4. ALL CAPACITORS TEMPERATURE CHARACTERISTICS ARE YF UNLESS OTHERWISE NOTED.

BILL OF MATERIAL FOR COBRA 87GTL

Table with columns: CIRCUIT SYMBOL, DESCRIPTION, DYNAMSCAN PART NO. Includes SEMICONDUCTORS and INDUCTORS sections.

FIXED RESISTORS (Continued)

Table with columns: CIRCUIT SYMBOL, DESCRIPTION, DYNAMSCAN PART NO. Includes FIXED RESISTORS and CAPACITORS sections.

CIRCUIT SYMBOL

Table with columns: DESCRIPTION, DYNAMSCAN PART NO. Includes INDUCTORS (Continued) and FIXED RESISTORS sections.

CIRCUIT SYMBOL

Table with columns: DESCRIPTION, DYNAMSCAN PART NO. Includes CAPACITORS (Continued) and MISCELLANEOUS sections.