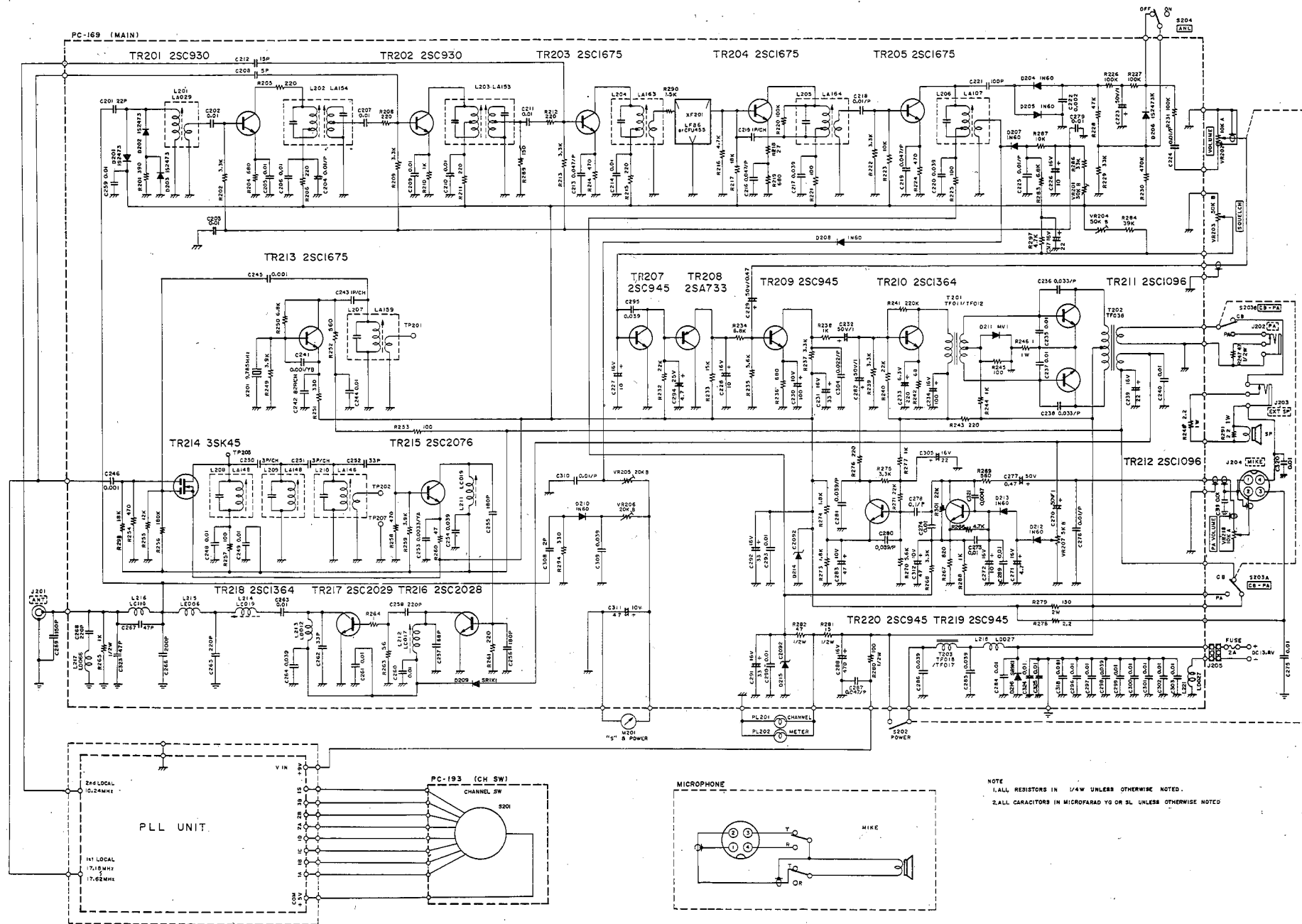
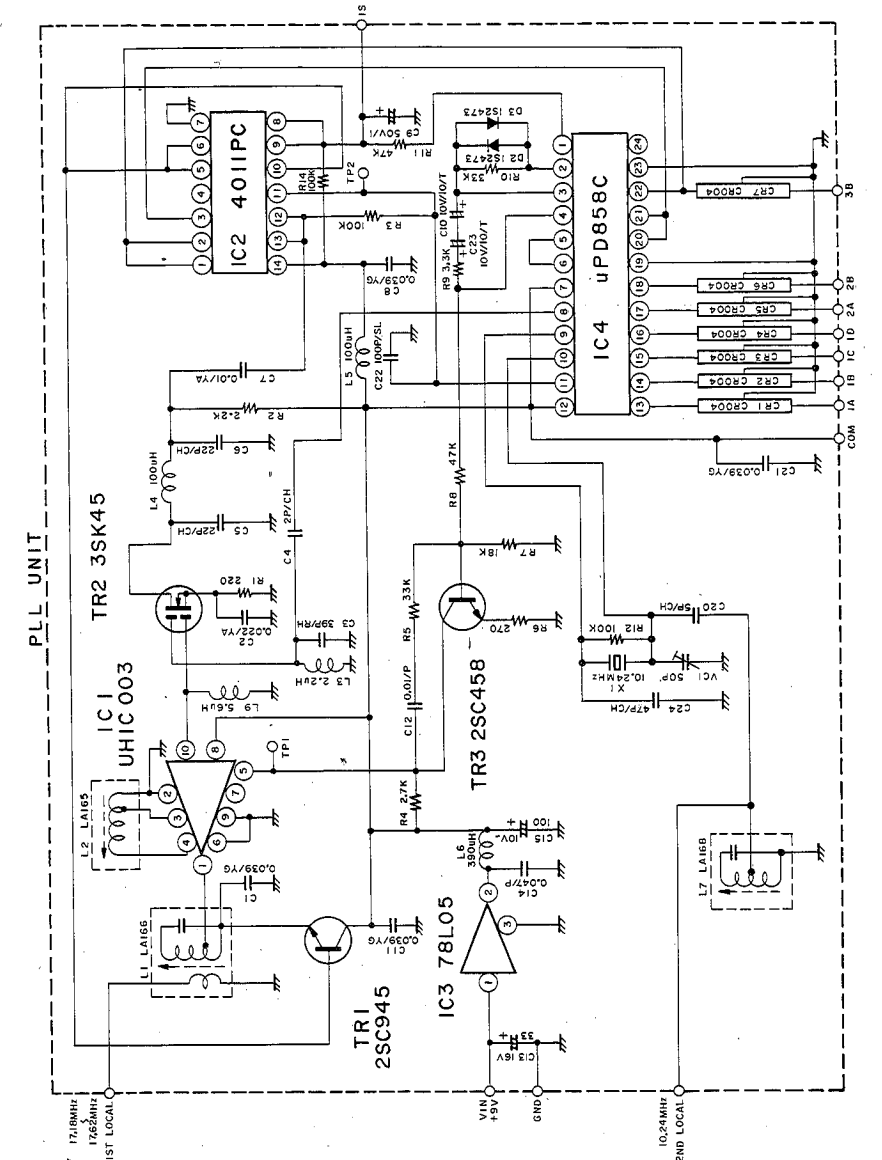


MAIN CIRCUIT DIAGRAM FOR COBRA 77X



PLL UNIT CIRCUIT DIAGRAM FOR COBRA 77X



NOTE
1. ALL RESISTORS IN 1/4W UNLESS OTHERWISE NOTED.
2. ALL CAPACITORS IN MICROFARAD YO OR SL UNLESS OTHERWISE NOTED

BILL OF MATERIAL FOR COBRA 77X

CIRCUIT SYMBOL	DESCRIPTION	PART NO.	CIRCUIT SYMBOL	DESCRIPTION	PART NO.
R-208	Transformer 25C458-B	172-018-9-001	VR-206, 206	Variable Resistor RV-103 50K-B	008-209-9-010
TR-201, 202	Transformer 25C3930-P	176-060-9-001	VR-201, 204	Variable Resistor RV-103 50K-B	008-209-9-008
TR-207, 209, 219, 220	Transformer 25C3945A-P	176-060-9-003	VR-207	Semi-fixed Resistor RV-102 5K-B	008-284-9-001
TR-211, 212	Transformer 25C1106-4ZL	172-038-9-003	VR-208	Variable Resistor RV-056 10K-A	008-187-9-002
TR-210	Transformer 25C1384-6	176-054-9-001	VR-202	Variable Resistor RV-027 10K-A	008-187-9-001
TR-203, 204, 206, 213	Transformer 25C1675-M	176-060-9-002	VR-203	Variable Resistor RV-071 50K-B	008-227-9-003
TR-216	Transformer 25C2028-B/20	172-038-9-001			
TR-217	Transformer 25C2029-B/10	172-038-9-002			
TR-215	Transformer 25C2076-CB	176-060-9-004			
R-214, 2	FET 36K45-B	182-038-9-001			
IC-1	Integrated Circuit UHC-003	307-108-9-001	R-246	Metalized Resistor 1 ohm 1W	013-002-9-002
IC-2	Integrated Circuit 4011-PC	307-095-9-002	R-248	Metalized Resistor 22 ohm 1W	013-011-9-001
IC-3	Integrated Circuit 78L05-AV	307-095-9-002	R-291	Metalized Resistor 150 ohm 1W	013-011-9-002
IC-4	Integrated Circuit UPD858C	307-095-9-004	R-279	Metalized Resistor 15 ohm 1/2W	013-011-9-003
D-204, 205, 207, 208, 210, 212, 213	Diode IN-60AM	160-014-9-001	R-281	Car Comp. Resistor 47 ohm 1/2W	001-102-5-150
D-206, 216	Diode (Forming) IS2473	151-059-9-001	R-280	Car Comp. Resistor 100 ohm 1/2W	001-102-5-101
D-214, 215	Zener Diode CZ-092	151-040-9-003	R-285	Car Comp. Resistor 1K ohm 1/2W	001-102-5-102
D-211	Varistor MV-1	151-049-9-002	R-283	Carbon Film Resistor 4.7K ohm 1/4W	002-104-5-472
			R-284	Carbon Film Resistor 6.8K ohm 1/4W	002-104-5-682
			R-282	Carbon Film Resistor 10K ohm 1/4W	002-104-5-103
			R-232	Carbon Film Resistor 22K ohm 1/4W	002-104-5-223
			R-204	Carbon Film Resistor 1 ohm 1/4W	002-104-5-101
			R-278	Carbon Film Resistor 2.2 ohm 1/4W	002-104-5-229
			R-203	Carbon Film Resistor 56 ohm 1/4W	002-104-5-570
			R-216	Carbon Film Resistor 47 ohm 1/4W	002-104-5-470
			R-202	Carbon Film Resistor 68 ohm 1/4W	002-104-5-680
			R-252, 259	Carbon Film Resistor 560 ohm 1/4W	002-104-5-561
			R-257, 221, 225, 245, 253	Carbon Film Resistor 100 ohm 1/4W	002-104-5-101
			R-289	Carbon Film Resistor 150 ohm 1/4W	002-104-5-151
			R-212, 215, 243, 261, 276	Carbon Film Resistor 220 ohm 1/4W	002-104-5-221
			R-6	Carbon Film Resistor 270 ohm 1/4W	002-104-5-271
			R-291, 294	Carbon Film Resistor 330 ohm 1/4W	002-104-5-331
			R-201	Carbon Film Resistor 380 ohm 1/4W	002-104-5-381
			R-214, 224, 254, 258	Carbon Film Resistor 470 ohm 1/4W	002-104-5-471
			R-204, 219, 238	Carbon Film Resistor 680 ohm 1/4W	002-104-5-681
			R-287	Carbon Film Resistor 820 ohm 1/4W	002-104-5-821
			R-277, 210, 238, 244, 288	Carbon Film Resistor 1K ohm 1/4W	002-104-5-102
			R-290	Carbon Film Resistor 1.5K ohm 1/4W	002-104-5-152
			R-290	Carbon Film Resistor 1.8K ohm 1/4W	002-104-5-182
			R-273, 274	Carbon Film Resistor 2.2K ohm 1/4W	002-104-5-222
			R-4	Carbon Film Resistor 2.7K ohm 1/4W	002-104-5-272
			R-9, 202, 213, 222, 239	Carbon Film Resistor 3.3K ohm 1/4W	002-104-5-332
			R-249, 259	Carbon Film Resistor 3.9K ohm 1/4W	002-104-5-392
			R-216, 266	Carbon Film Resistor 4.7K ohm 1/4W	002-104-5-472
			R-235, 270	Carbon Film Resistor 5.6K ohm 1/4W	002-104-5-562
			R-250, 234	Carbon Film Resistor 6.8K ohm 1/4W	002-104-5-682

CIRCUIT SYMBOL	DESCRIPTION	PART NO.	CIRCUIT SYMBOL	DESCRIPTION	PART NO.
R-223	Carbon Film Resistor 10K ohm	002-104-5-103	C-300, 301, 302, 303, 279, 259	Capacitor, Electrolytic 0.47uF 50V	022-157-9-001
R-255	Carbon Film Resistor 12K ohm	002-104-5-123	C-275, 310	Capacitor, Electrolytic 1uF 50V	022-157-9-002
R-233	Carbon Film Resistor 15K ohm	002-104-5-153	C-217, 220, 254, 264, 18	Capacitor, Electrolytic 4.7uF 50V	022-157-9-003
R-7, 217, 293	Carbon Film Resistor 18K ohm	002-104-5-183	11, 21, 293, 285, 286, 309	Capacitor, Electrolytic 10uF 50V	022-157-9-004
R-301, 240, 271	Carbon Film Resistor 22K ohm	002-104-5-223			
T-284	Carbon Film Resistor 22K ohm	002-104-5-223			
R-286, 229, 5, 10	Carbon Film Resistor 39K ohm	002-104-5-393			
R-228, 8, 11	Carbon Film Resistor 33K ohm	002-104-5-333			
R-3, 12, 14, 220, 226, 227, 231	Carbon Film Resistor 47K ohm	002-104-5-473			
	Carbon Film Resistor 100K ohm	002-104-5-104			

CIRCUIT SYMBOL	DESCRIPTION	PART NO.	CIRCUIT SYMBOL	DESCRIPTION	PART NO.
R-256	Carbon Film Resistor 180K ohm	002-104-5-184			
R-241	Carbon Film Resistor 220K ohm	002-104-5-224			
R-230	Carbon Film Resistor 470K ohm	002-104-5-474			

CIRCUIT SYMBOL	DESCRIPTION	PART NO.	CIRCUIT SYMBOL	DESCRIPTION	PART NO.
C-228, 277	Capacitor, Electrolytic 0.47uF 50V	022-157-9-001			
C-223, 232, 282, 270	Capacitor, Electrolytic 1uF 50V	022-157-9-002			
C-271, 294	Capacitor, Electrolytic 4.7uF 50V	022-157-9-003			
C-276, 227, 228, 272	Capacitor, Electrolytic 10uF 50V	022-157-9-004			
C-238, 305, 317	Capacitor, Electrolytic 22uF 16V	022-157-9-005			
C-231, 291, 292, 13	Capacitor, Electrolytic 33uF 16V	022-157-9-006			
C-283, 311, 312	Capacitor, Electrolytic 47uF 10V	022-157-9-007			
C-230, 15	Capacitor, Electrolytic 100uF 10V	022-157-9-008			
C-234	Capacitor, Electrolytic 220uF 10V	022-157-9-009			
C-233	Capacitor, Electrolytic 220uF 18V	022-157-9-010			
C-208	Tantalum Capacitor 10uF 50V	027-025-9-001			
C-10, 23	Ceramic Capacitor 1uF 50V	020-180-9-001			
C-19, 24, 3	Ceramic Capacitor 3uF 50V	020-180-9-002			
C-250, 251	Ceramic Capacitor 5uF 50V	020-180-9-003			
C-56	Ceramic Capacitor 22uF 50V	020-180-9-004			
C-24	Ceramic Capacitor 47uF 50V	020-180-9-005			
C-308	Ceramic Capacitor 82uF 50V	020-180-9-006			
C-208	Ceramic Capacitor 2uF 50V	020-180-9-007			
C-212	Ceramic Capacitor 5uF 50V	020-180-9-008			
C-201	Ceramic Capacitor 15uF 50V	020-180-9-009			
C-252, 252	Ceramic Capacitor 22uF 50V	020-180-9-010			
C-263, 323	Ceramic Capacitor 33uF 50V	020-180-9-011			
C-257	Ceramic Capacitor 47uF 50V	020-180-9-012			
C-22, 221	Ceramic Capacitor 150uF 50V	020-180-9-013			
C-2, 66	Ceramic Capacitor 68uF 50V	020-180-9-014			
C-255, 256, 268	Ceramic Capacitor 100uF 50V	020-180-9-015			
C-245, 246, 318	Ceramic Capacitor 200uF 50V	020-180-9-016			
C-222	Ceramic Capacitor 180uF 50V	020-180-9-017			
C-321	Ceramic Capacitor 220uF 50V	020-180-9-018			
C-320, 324, 325, 202, 261, 263, 273, 274, 284, 289, 290, 293, 296, 297, 299, 203, 205, 206, 207, 209, 210, 211, 214, 235, 237, 240, 244, 248, 249, 250	Ceramic Capacitor 0.0022uF 25V YG	020-180-9-020			
	Ceramic Capacitor 0.0047uF 25V YG	020-180-9-021			
	Ceramic Capacitor 0.01uF 25V Z YG	020-180-9-022			

CIRCUIT SYMBOL	DESCRIPTION	PART NO.	CIRCUIT SYMBOL	DESCRIPTION	PART NO.
	Crystal OX-070 9.785MHz	132-028-9-001			
	Crystal OX-074 10.24MHz	132-027-9-001			

CIRCUIT SYMBOL	DESCRIPTION	PART NO.	CIRCUIT SYMBOL	DESCRIPTION	PART NO.
	Miscellaneous				
	Mike Hanger	741-074-9-001			
	Shield Case (Cover)	256-089-9-001			
	Front Panel	256-080-9-001			
	Chassis Knob	255-192-9-001			
	Knob	751-148-9-001			
	Chassis Dial	752-011-9-001			
	Lamp Holder (Lubben)	280-120-9-001			
	Front Panel	280-120-9-002			
	FCC Plate	634-004-9-003			
	Mounting Screw B83M	763-088-9-001			
	Illumination Board	NA			
	Serial No. Label	NA			
	Warning Label	483-255-9-001			
	Transmitter Card	492-044-9-001			
	Production No. Label	NA			
	Wood Tee	763-069-9-002			
	Rubber Washer	347-066-9-001			
	Speaker Nut (G-rill)	347-066-9-002			
	Felt Washer	347-066-9-003			
	Cushion	502-094-9-001			
	Pan Screw M3x6	634-081-9-001			
	Bind Screw M3x4	634-081-9-001			
	Bind Screw M3x8	634-087-9-001			
	Tapping Screw 3x8	634-087-9-001			
	Tapping Screw 3x10	710-071-9-001			
	Pan Tapping Screw 3x8 ZMC	710-071-9-002			
	Pan Tapping Screw 3x8 ZMC	710-071-9-004			
	Legged Washer 5u	731-041-9-001			
	CS Type Washer 10u	731-041-9-002			
	Poly Bag (for Seal) 270x400x0.1	502-100-9-003			
	Poly Bag (for Accessory) 100x120x0.05	502-100-9-002			
	Poly Bag (for Milk) 110x600x0.05	502-100-9-002			
	Poly Bag (for DC Card) 120x280x0.05	502-100-9-003			
	Poly Bag (for Documents) 170x320x0.05	502-100-9-005			
	Styrofoam (Front)	503-112-9-001			
	Styrofoam (Back)	503-112-9-002			
	Display Box	500-316-9-001			
	Double Carton	500-317-9-001			
	Service Station Card	492-042-0-000			
	Instruction Manual	480-200-9-001			
	Composite, Consisting of:	499-109-9-001			
	Schematic Diagram	488-190-9-001			
	Parts List	488-190-9-002			
	Warning Card	481-180-9-001			
	FCC Application Card	481-041-9-001			
	FCC Form No. 7	482-046-9-001			
	FCC Report Form	482-044-9-001			
	Printed Circuit Board PC-171A8	302-244-9-001			
	Printed Circuit Board PC-169AD	302-245-9-001			
	Printed Circuit Board PC-193AA	302-246-9-001			

CIRCUIT SYMBOL	DESCRIPTION	PART NO.	CIRCUIT SYMBOL	DESCRIPTION	PART NO.
	Miscellaneous				
	Variable Resistor				
	Variable Resistor RV-071 50K-B	008-227-9-003			
	Variable Resistor RV-027 10K-A	008-187-9-001			
	Variable Resistor RV-056 10K-A	008-284-9-001			
	Semi-fixed Resistor RV-102 5K-B	008-209-9-008			
	Semi-fixed Resistor RV-103 50K-B	008-209-9-010			
	Choke Transformer TF-017	044-028-9-006			
	Input Transformer TF-011	061-022-9-001			
	Output Transformer TF-038	061-022-9-002			

CIRCUIT SYMBOL	DESCRIPTION	PART NO.	CIRCUIT SYMBOL	DESCRIPTION	PART NO.
	Miscellaneous				
	Metalized Resistor				
	Metalized Resistor 1 ohm 1W	013-002-9-002			
	Metalized Resistor 22 ohm 1W	013-011-9-001			