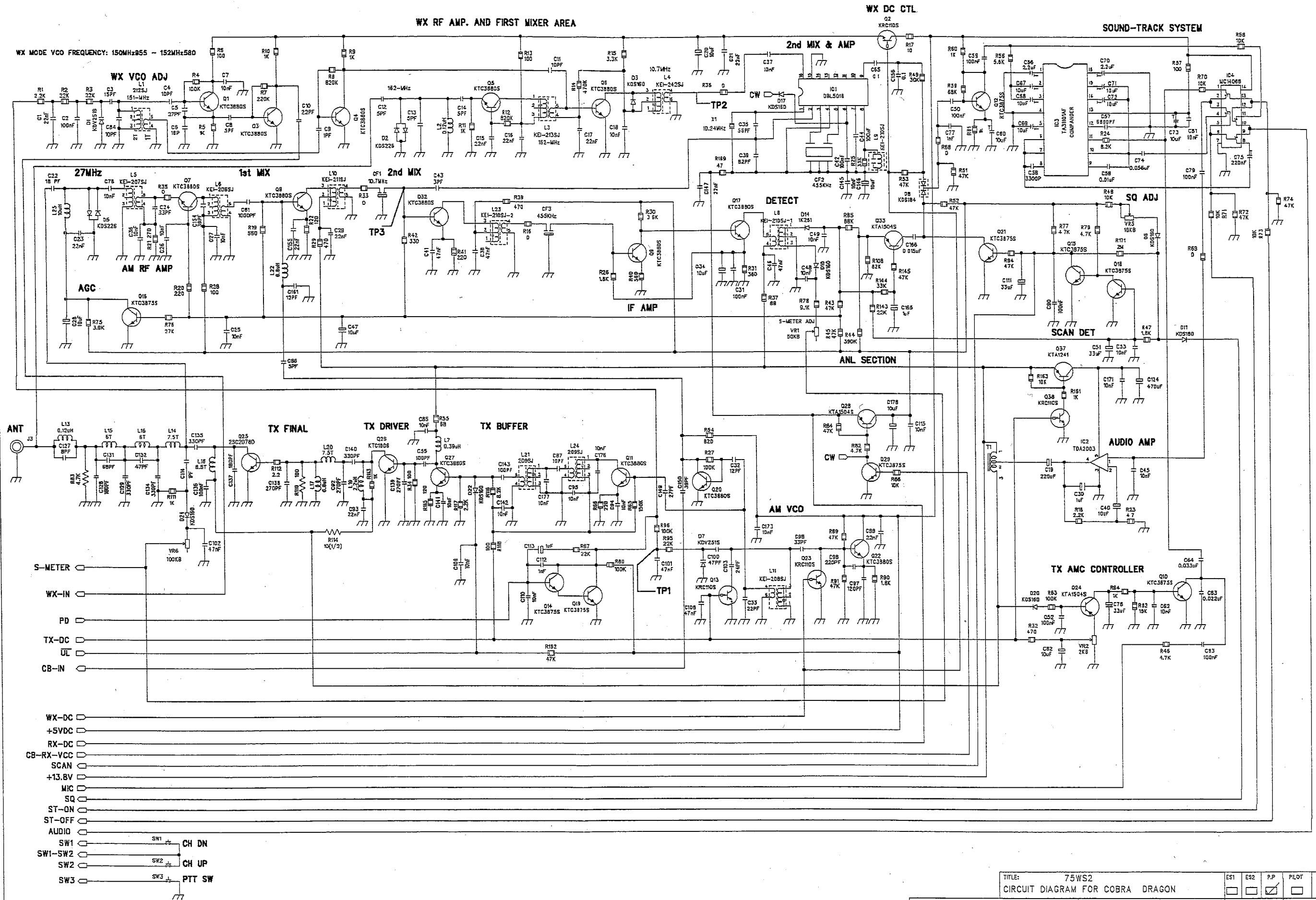


CIRCUIT DIAGRAM FOR COBRA DRAGON



- ANT
- S-METER
- WX-IN
- PD
- TX-DC
- UL
- CB-IN
- WX-DC
- +5VDC
- RX-DC
- CB-RX-VCC
- SCAN
- +13.8V
- MIC
- SQ
- ST-ON
- ST-OFF
- AUDIO
- SW1
- SW1-SW2
- SW2
- SW3
- CH DN
- CH UP
- PTT SW

