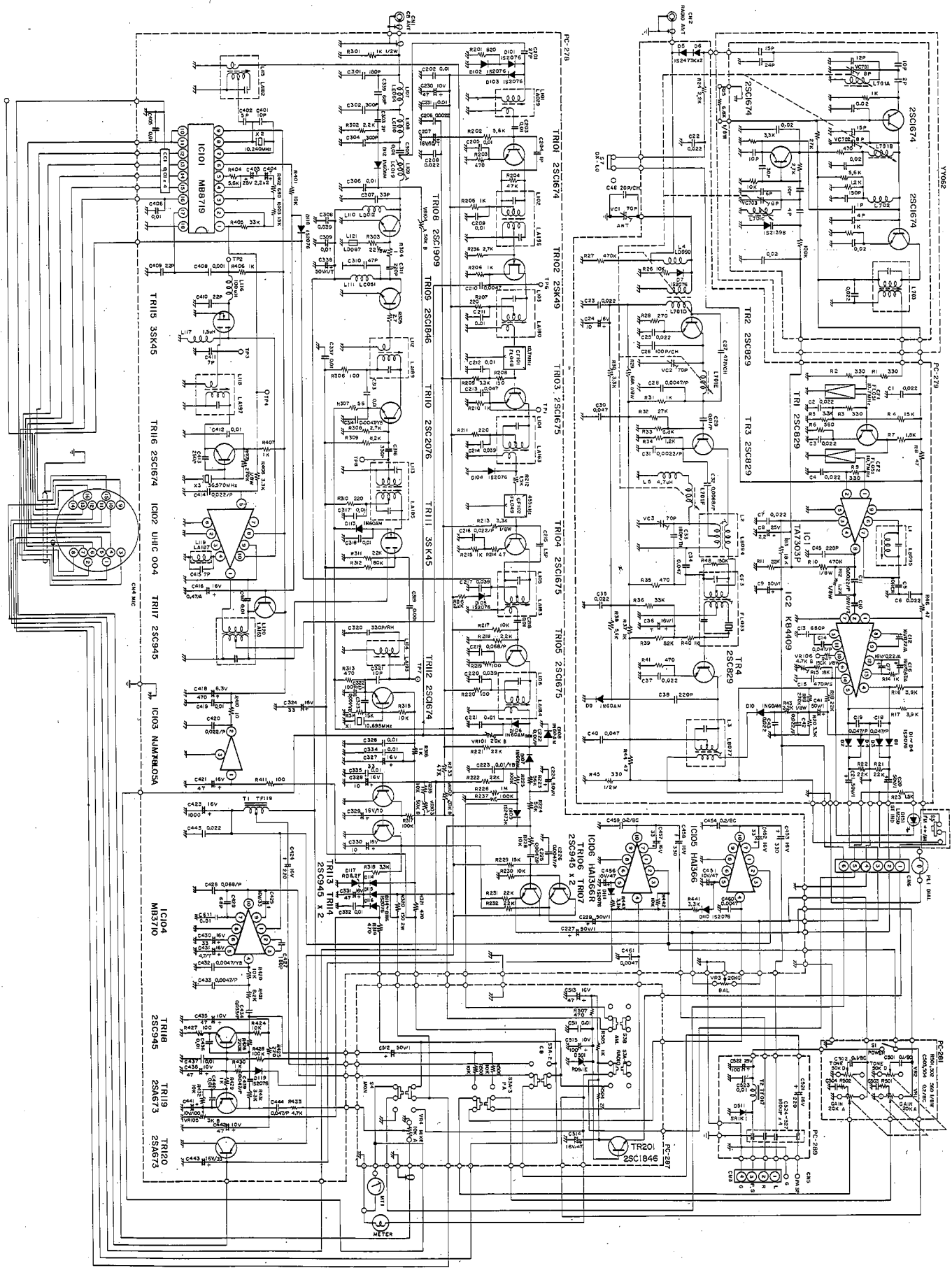


CIRCUIT DIAGRAM FOR COBRA 47XLR





CIRCUIT SYMBOL	DESCRIPTION	DYNAMSCAN PART NO.
R-216,218,302,5,24	Resistor, Fixed Carbon Film, 22K ohm 5%	002-104-5-222
R-308,286	Resistor, Fixed Carbon Film, 2.7K ohm 5%	002-104-5-272
R-209,318,431,441,443,30,42	Resistor, Fixed Carbon Film, 3.3K ohm 5%	002-104-5-332
R-16,17	Resistor, Fixed Carbon Film, 3.9K ohm 5%	002-104-5-392
R-202,404,38	Resistor, Fixed Carbon Film, 5.6K ohm 5%	002-104-5-562
R-26,12	Resistor, Fixed Carbon Film, 6.8K ohm 5%	002-104-5-682
R-13,421	Resistor, Fixed Carbon Film, 8.2K ohm 5%	002-104-5-822
R-46,506,314,311,720,444,432,503,442,20,26,33	Resistor, Fixed Carbon Film, 10K ohm 5%	002-104-5-103
R-311	Resistor, Fixed Carbon Film, 12K ohm 5%	002-104-5-123
R-309,403,4,15,229	Resistor, Fixed Carbon Film, 18K ohm 5%	002-104-5-183
R-221,222,231,232,18,21,22,32	Resistor, Fixed Carbon Film, 22K ohm 5%	002-104-5-223
R-23,56,405	Resistor, Fixed Carbon Film, 33K ohm 5%	002-104-5-333
R-11,204	Resistor, Fixed Carbon Film, 47K ohm 5%	002-104-5-473
R-223,224,225,237	Resistor, Fixed Carbon Film, 56K ohm 5%	002-104-5-563
R-317,28,59	Resistor, Fixed Carbon Film, 100K ohm 5%	002-104-5-104
R-432	Resistor, Fixed Carbon Film, 220K ohm 5%	002-104-5-224
R-409,19	Resistor, Fixed Carbon Film, 270K ohm 5%	002-104-5-274
R-226	Resistor, Fixed Carbon Film, 470K ohm 5%	002-104-5-474
R-408	Resistor, Fixed Carbon Film, 680K ohm 5%	002-104-5-684
R-43	Resistor, Fixed Carbon Film, 3.3K ohm 5%	002-104-5-332
R-10	Resistor, Fixed Carbon Film, 4.7K ohm 5%	002-104-5-472
R-207	Resistor, Fixed Carbon Film, 150K ohm 5%	002-108-5-154
R-23	Resistor, Fixed Carbon Film, 3.3K ohm 5%	002-108-5-332
R-29	Resistor, Fixed Carbon Film, 82K ohm 5%	002-108-5-823

CAPACITORS

C-624,527	Ceramic Feed Through Capacitor Assy	033-033-9-001
C-9,20,21,41,51,2,224,228,229,443	Capacitor, Electrolytic	022-157-9-002
C-31,38	Capacitor, Electrolytic	022-159-9-002
C-424,521	Capacitor, Electrolytic	022-159-9-004
C-438	Capacitor, Electrolytic	022-159-9-004
C-20,228,330,451,456,24	Capacitor, Electrolytic	022-159-9-005
C-24,327,425,430,452,457,229	Capacitor, Electrolytic	022-159-9-006
C-230,435,442	Capacitor, Electrolytic	022-120-9-002
C-331,421	Capacitor, Electrolytic	022-159-9-007
C-441	Capacitor, Electrolytic	022-159-9-008
C-424,521	Capacitor, Electrolytic	022-159-9-008
C-453,458	Capacitor, Electrolytic	022-159-9-003
C-442	Capacitor, Electrolytic	022-159-9-002
C-522	Capacitor, Electrolytic	022-159-9-002
C-513	Capacitor, Electrolytic	022-157-9-009
C-12,17	Capacitor, Aluminum Solid, 16WV	022-158-9-002
C-16,416	Capacitor, Aluminum Solid, 16WV	022-161-9-002

CAPACITORS (Continued)

C-214,217,220,308	Capacitor, Ceramic Disk, 25WV	020-181-9-020
C-213,30,34,40	Capacitor, Ceramic Disk, 25WV	020-181-9-021
C-442,314	Capacitor, Ceramic Disk, 25WV	020-181-9-014
CC-1	Capacitor Array, 1000pF	527-071-9-002

CRYSTALS

X-2	Quartz Crystal, OX-077	133-014-9-001
X-1	Quartz Crystal, OX-078	133-014-9-002
X-3	Quartz Crystal, OX-079	133-014-9-003

MISCELLANEOUS

CF-101	Filter, Ceramic	140-020-9-001
CF-102	Filter, Ceramic	140-018-9-002
CF-9	Filter, Ceramic	140-020-9-002
CF-12	Filter, Ceramic	140-020-9-003
SA-1-3A,3, S3B	Switch, Push Button, SW-109, CB/BA/PA/ANL	088-003-9-002
MT-1	Microphone, Dynamic, MT-087	320-099-9-001
PL-1	Lamp with Leads, PL-070	582-021-9-001
TP-1,2,3,4,5,6,7,8	Tequest Terminal, TP-020	400-060-9-001
CN-4	Tuner Assy with FM Front End, YY-002	757-028-9-001
CN-1	Microphone Cord Assy, WZ-940	523-208-9-001
CN-2	CB Antenna Cord Assy, WZ-940	426-027-9-001
CN-3	Speaker & Power Cord Assy, WZ-942	426-028-9-003
	Speaker & Power Cord Assy, WZ-941	426-028-9-004
	Wire Nut, YY-008	763-092-9-001
	"A" Lead Adapter with Shade Terminal, W-07159	426-028-9-005
	Ground Wire, W-07153	426-028-9-006
	Noise Suppressor Resistor, 10K ohm, RZ-004	013-028-9-002
	Noise Suppressor Resistor, 47K ohm, CZ-031	033-032-9-003
	Spur Fuse, FS-001, 2 Amp	191-261-9-002
	Main Chassis	287-038-9-001
	Front Chassis	287-038-9-001
	Rear Chassis	287-038-9-001
	Heat Sink for AF AMP	747-056-9-002
	Heat Sink for RF AMP	747-056-9-002
	Heat Sink for Modulator	747-056-9-003
	IC Mounting Bracket	251-321-9-001
	IC Mounting Spacer	759-078-9-001
	Noise Filter Shield Box	256-073-9-001
	Cord Clamp (A)	741-099-9-002
	Cord Clamp (B)	741-099-9-002
	Cover	753-094-9-001
	Pointer Guide	753-094-9-001
	Dial Pointer	753-094-9-002

MISCELLANEOUS (Continued)

Screw, Binding Head 3/60/A x 5, Metric	634-067-9-003
Screw, Binding Head 3/60/A x 6, Metric	634-067-9-003
Screw, Plastic, Pan Head 3/60/A x 5, Metric	634-068-9-001
Screw, Plastic, Pan Head 3/60/A x 6, Metric	634-068-9-001
Screw, Binding Head, 5 x 20, Metric	634-090-9-006
Plan Washer 5 I.D.	731-051-9-001
Spring Washer 5 I.D.	731-051-9-002
Hex Nut 5 I.D., Metric	634-042-9-004
Screw, Binding Head 3/60/A x 5, Metric	634-067-9-002
Trapping Screw, Round Head 3/60/A x 8, Metric	710-049-9-001
Trapping Screw, Round Head 3/60/A x 10, Metric	710-039-9-003
Lock Washer 3 1/2 I.D.	731-051-9-005
Lock Washer 4 I.D.	731-051-9-006
Hex Head Bolt 6/60/A x 15, Metric	634-080-9-007
Lead Label "PA, SPKR"	483-320-9-001
Lead Label "PA, SPKR"	500-342-9-001
Display Box	503-140-9-001
Stereo Room Box	503-140-9-001
Master Carton	500-342-9-002
Instruction Manual	486-241-9-001
Connector, Escherman Diagram (Part's List)	491-139-9-001
Strut Station Card	492-042-9-000
FCC Form 555B	492-041-9-001
FCC Form 555B	492-046-9-001
Printed Circuit Board, PC-27/8AA, CB Main	302-261-9-001
Printed Circuit Board, PC-27/8AA, Radio Main	302-267-9-001
Printed Circuit Board, PC-281/AA, Variable Resistor	302-263-9-001
Printed Circuit Board, PC-287/AA, Function Switch	302-269-9-001
Printed Circuit Board, PC-289/AA, Noise Filter	302-264-9-001

CAPACITORS (Continued)

C-503,504	Capacitor, Tantalum, 6.5WV	027-027-9-001
C-10,36	Capacitor, Tantalum, 16WV	027-027-9-002
C-403,404	Capacitor, Tantalum, 25WV	027-021-9-001
C-431	Capacitor, Tantalum, 16WV	027-026-9-004
C-33	Capacitor, Polyester Film, 50WV	030-042-9-001
C-15	Capacitor, Polyester Film, 50WV	030-042-9-002
C-35	Capacitor, Polyester Film, 50WV	030-041-9-003
C-36,28,433	Capacitor, Polyester Film, 50WV	025-129-9-003
C-222,434,29	Capacitor, Polyester Film, 50WV	025-121-9-002
C-18,19	Capacitor, Polyester Film, 50WV	025-121-9-003
C-42	Capacitor, Polyester Film, 50WV	025-121-9-005
C-14,444,439	Capacitor, Polyester Film, 50WV	025-121-9-006
C-219,428	Capacitor, Polyester Film, 50WV	025-121-9-005
C-501,502	Capacitor, Polyester Film, 50WV	025-121-9-001
C-304	Capacitor, Ceramic Disk, 50WV	020-180-9-001
C-215,303	Capacitor, Ceramic Disk, 50WV	020-187-9-001
C-402,411	Capacitor, Ceramic Disk, 50WV	020-187-9-002
C-415	Capacitor, Ceramic Disk, 50WV	020-187-9-003
C-321,401	Capacitor, Ceramic Disk, 50WV	020-187-9-004
C-409,410,11	Capacitor, Ceramic Disk, 50WV	020-187-9-005
C-201	Capacitor, Ceramic Disk, 50WV	020-187-9-006
C-310,427,429,339	Capacitor, Ceramic Disk, 50WV	020-178-9-009
C-38	Capacitor, Ceramic Disk, 50WV	020-181-9-012
C-311	Capacitor, Ceramic Disk, 50WV	020-125-9-005
C-312	Capacitor, Ceramic Disk, 50WV	020-181-9-007
C-313	Capacitor, Ceramic Disk, 50WV	020-187-9-007
C-301	Capacitor, Ceramic Disk, 50WV	020-148-9-002
C-302,304	Capacitor, Ceramic Disk, 50WV	020-187-9-008
C-27	Capacitor, Ceramic Disk, 50WV	020-187-9-010
C-322,26	Capacitor, Ceramic Disk, 50WV	020-187-9-009
C-320	Capacitor, Ceramic Disk, 50WV	020-187-9-011
C-323	Capacitor, Ceramic Disk, 25WV	020-181-9-015
C-454,459	Capacitor, Ceramic Disk, 12WV	020-181-9-022
C-408,318	Capacitor, Ceramic Disk, 25WV	020-187-9-012
C-206	Capacitor, Ceramic Disk, 25WV	020-180-9-020
C-222,223,210	Capacitor, Ceramic Disk, 25WV	020-178-9-019
C-202,203,205,209,211,212	Capacitor, Ceramic Disk, 25WV	020-187-9-013
C-313,316,318,326,332,339	Capacitor, Ceramic Disk, 25WV	020-180-9-023
C-327	Capacitor, Ceramic Disk, 25WV	020-187-9-023
C-323	Capacitor, Ceramic Disk, 25WV	020-187-9-012
C-208,326,1,2,3,4,6,7,22,23,25,35,37,39,43,44,5	Capacitor, Ceramic Disk, 25WV	020-181-9-019

MISCELLANEOUS (Continued)

Dial Pointer Lever	763-094-9-003
VR Mounting Bracket	261-073-9-001
Prefabricated Mounting Strap	251-128-9-001
L-Straped Back-up Plate	765-072-9-001
Metric Vernier Hammer	741-074-9-001
Microphone Connector Bracket (Front)	251-325-9-001
Microphone Connector Bracket (Rear)	251-326-9-001
Knob Spring for Ford Front Knob	280-121-9-001
Universal Trimplate	280-138-9-001
Foreign Car Trimplate	280-138-9-001
Rubber Gasket	383-016-9-001
Ford Type Shallow Rear Knob	751-154-9-004
Ford Type Deep Rear Knob	751-154-9-005
Rear Knob for Turn	384-023-9-001
Neoprene for Turn	763-094-9-004
Pushbutton for Function Switch, PA/CB/BA/ANL	384-023-9-002
Dial Scale Plate	280-139-9-001
Upper Pointer Mounting Piece	763-094-9-006
Lower Pointer Mounting Piece	763-094-9-005
Lamp Holder	251-223-9-001
Standard Rear Knob	251-128-9-001
Kenwood Front Knob	751-154-9-001
Knob Function Label (Right)	751-156-9-001
Knob Function Label (Left)	483-316-9-001
Production Number Label	600-041-9-001
Pushbutton Inlay "AM"	600-041-9-002
Pushbutton Inlay "FM"	600-041-9-003
Back Plate	600-041-9-004
FCC Identification Plate	600-041-9-005
Knob Inlay for STD Front Knob	600-041-9-006
Decorative Panel (Wood Grail)	280-133-9-001
Knob Inlay for Ford Front Knob (SPH)	280-138-9-001
Knob Inlay for Ford Front Knob (WAL/WULT)	280-138-9-001
Tuner Shaft Assy "Y" (3/16" Long)	523-206-9-002
Shaft Spacer "A" (1/4" Long)	759-079-9-002
Shaft Spacer "C" (5/16" Long)	759-079-9-003
Hex Nut, 3/8" - 32 UNEF	653-044-9-001
Knob Spring (Dynamek)	733-022-9-001
Wire Channel (1/4 x 3/8MM) LG	741-100-9-001
Caution for Tuner	502-103-9-001
Insulator Sheet for Cover	502-103-9-002
Fanny Cushion for Meter	634-094-9-007
Outculet Bolt	634-091-9-001
Screw, Pan Head 2/60/A x 4, Metric	634-087-9-002
Screw, Flat Head 2/60/A x 4, Metric	634-091-9-002