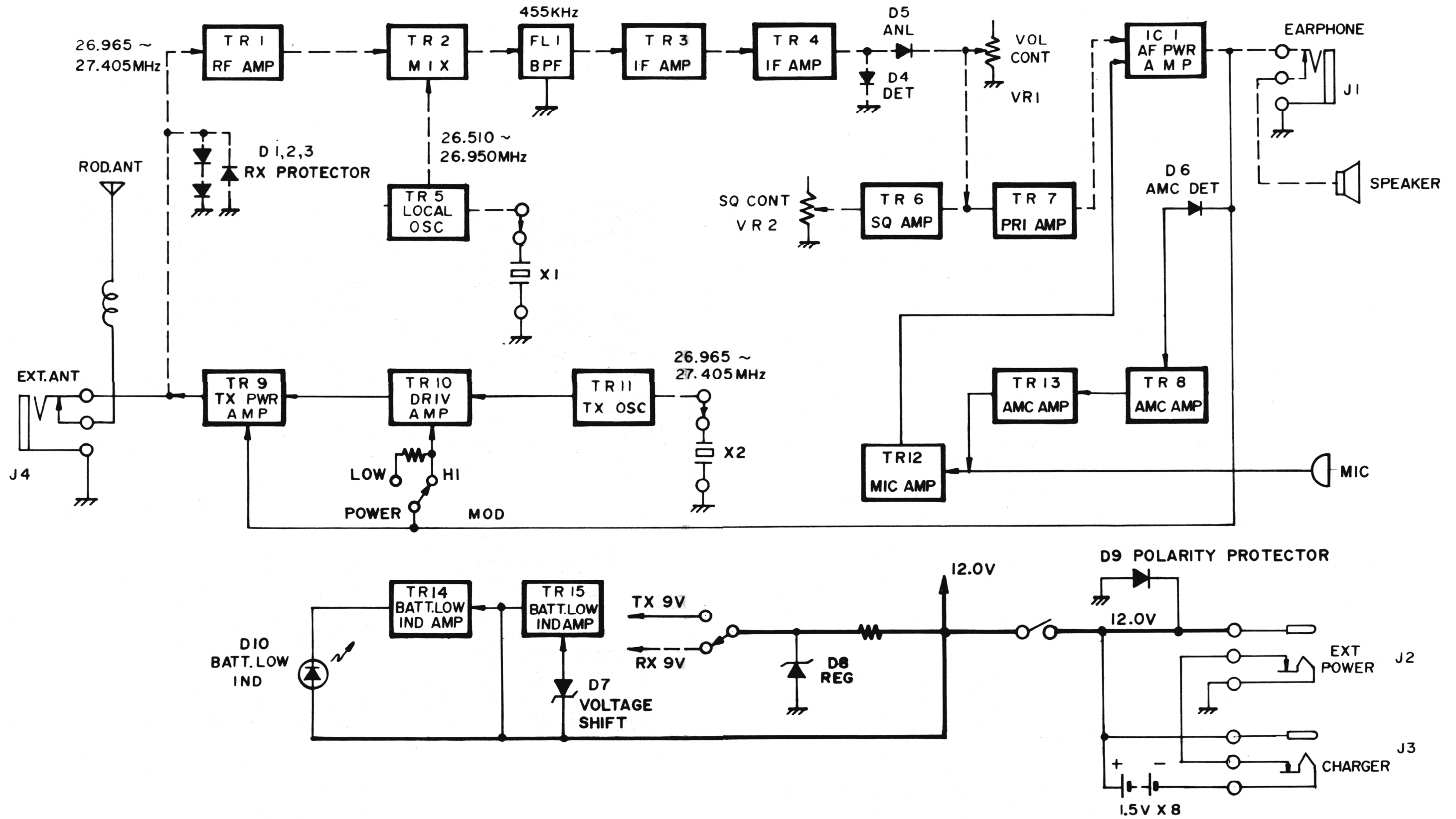


BLOCK DIAGRAM 6GTL



—————> TRANSMITTING CIRCUIT
 - - - - -> RECEIVING CIRCUIT