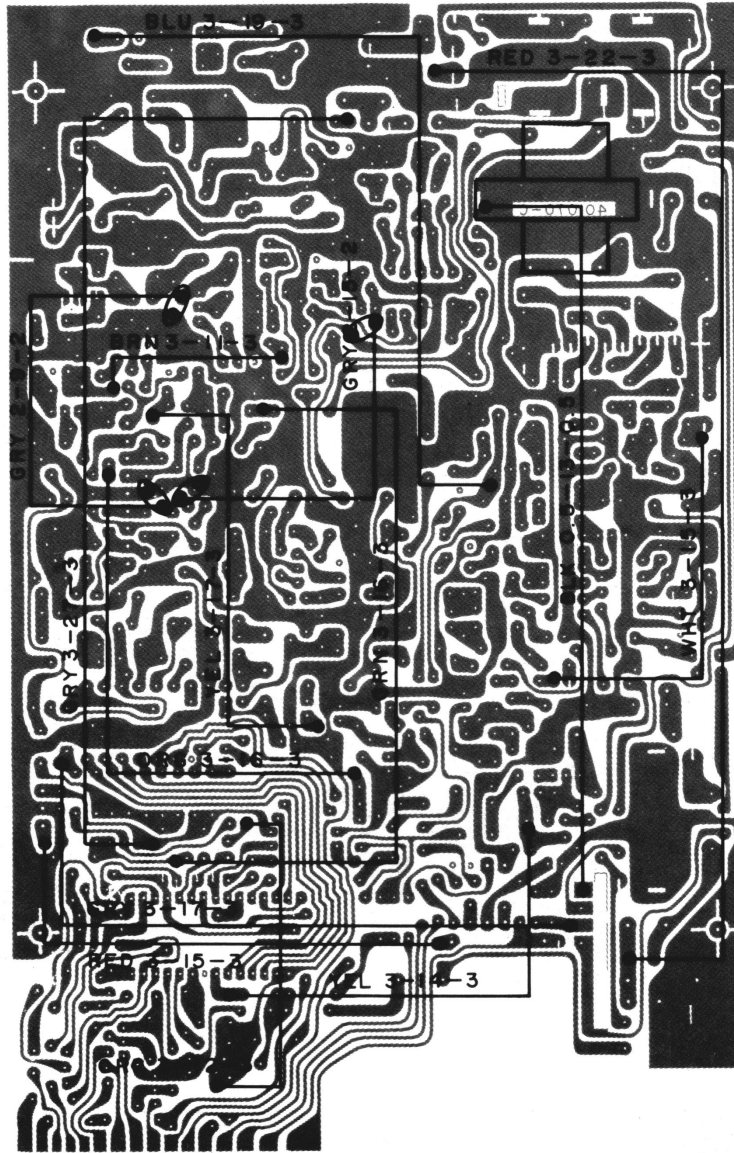
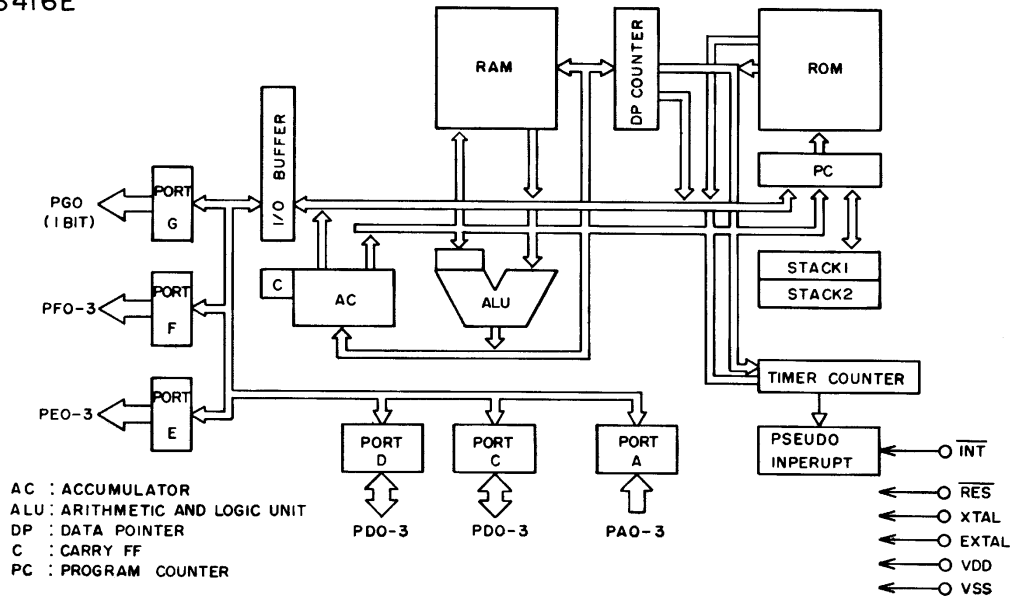


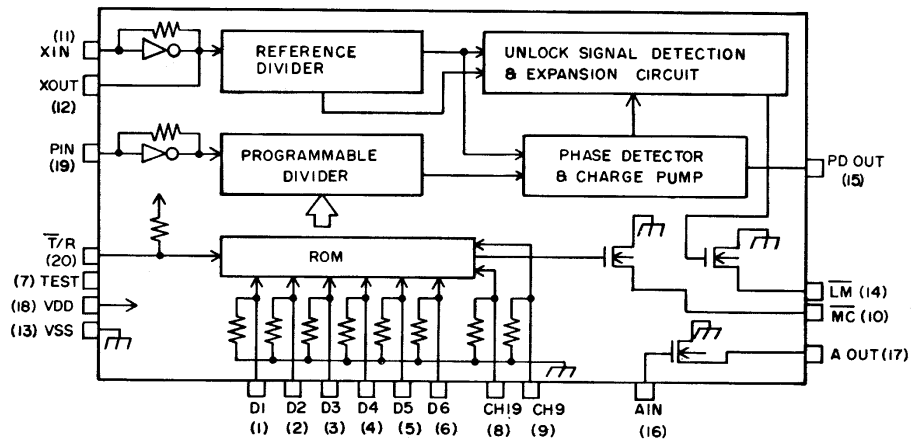
P.C.B Wiring Diagram



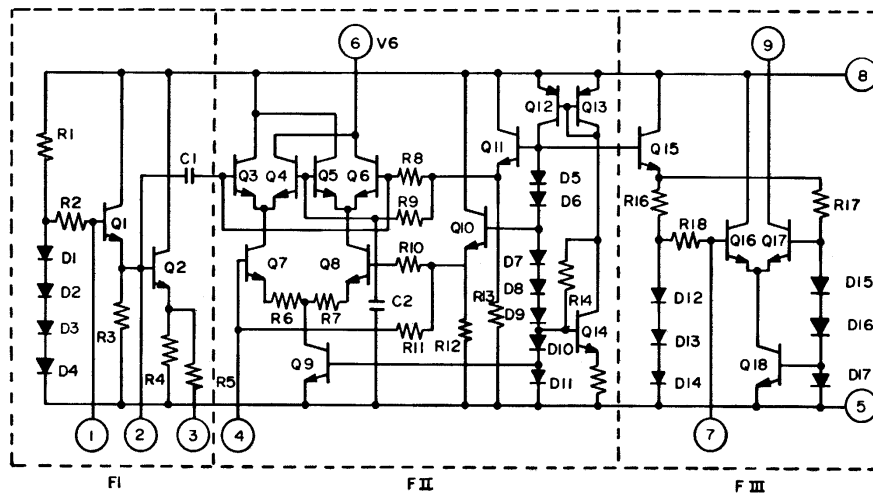
LM6416E



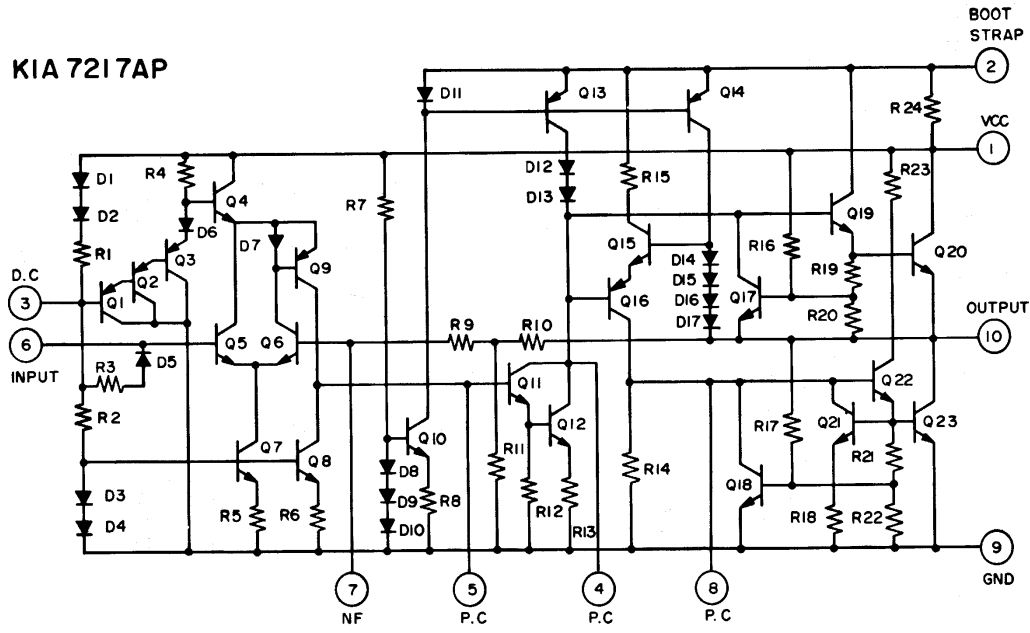
LC 7131



TA7310P

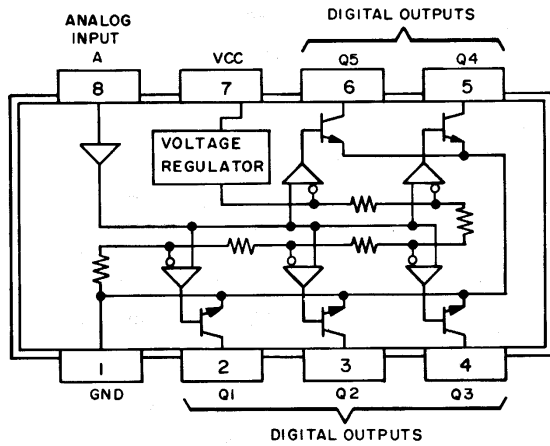


KIA 7217AP

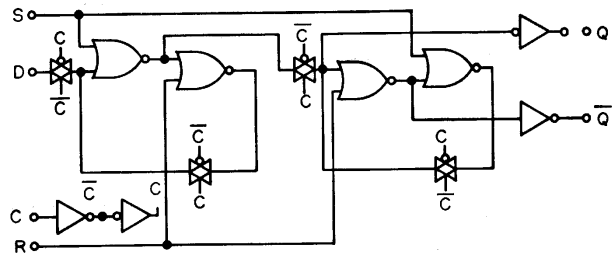


D.C.: DECOUPLING
P.C.: PHASE COMPENSATION

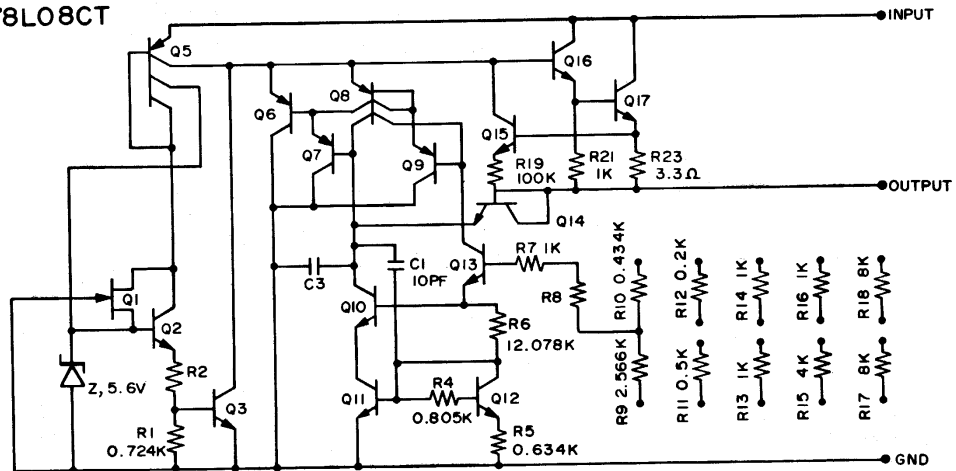
TL 489 CP



LOGIC DIAGRAM (1/2 OF DEVICE SHOWN)

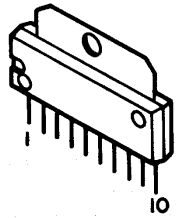


MC78L08CT

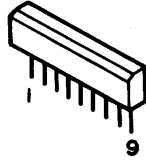


INTEGRATED CIRCUIT

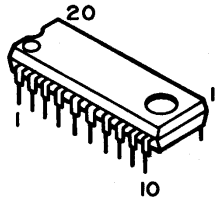
KIA 7217AP



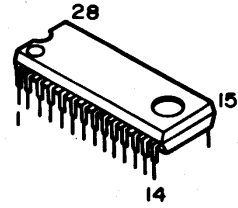
TA 7310P



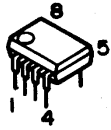
LC7131



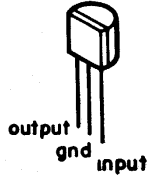
LM6416E



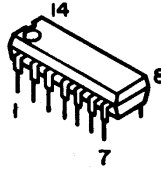
TL 489CP



MC78L08CT



MC14013



TRANSISTORS

MPS 9418
MPS 9623
MPS 9631
MPS 9681
MPS 9634



MPS 9426



2SC 2314

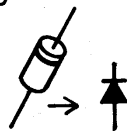


2SC 2078



DIODES

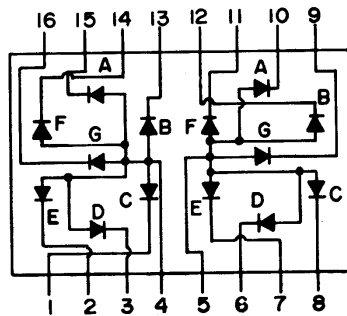
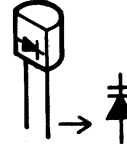
IN4002
1S 2473
OA 90



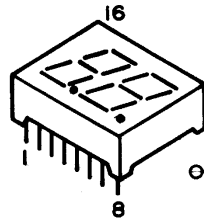
UZP-8.2B
BZX83-C5V6



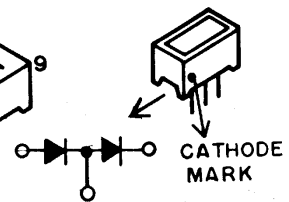
MV2209



LTD-482G-Y



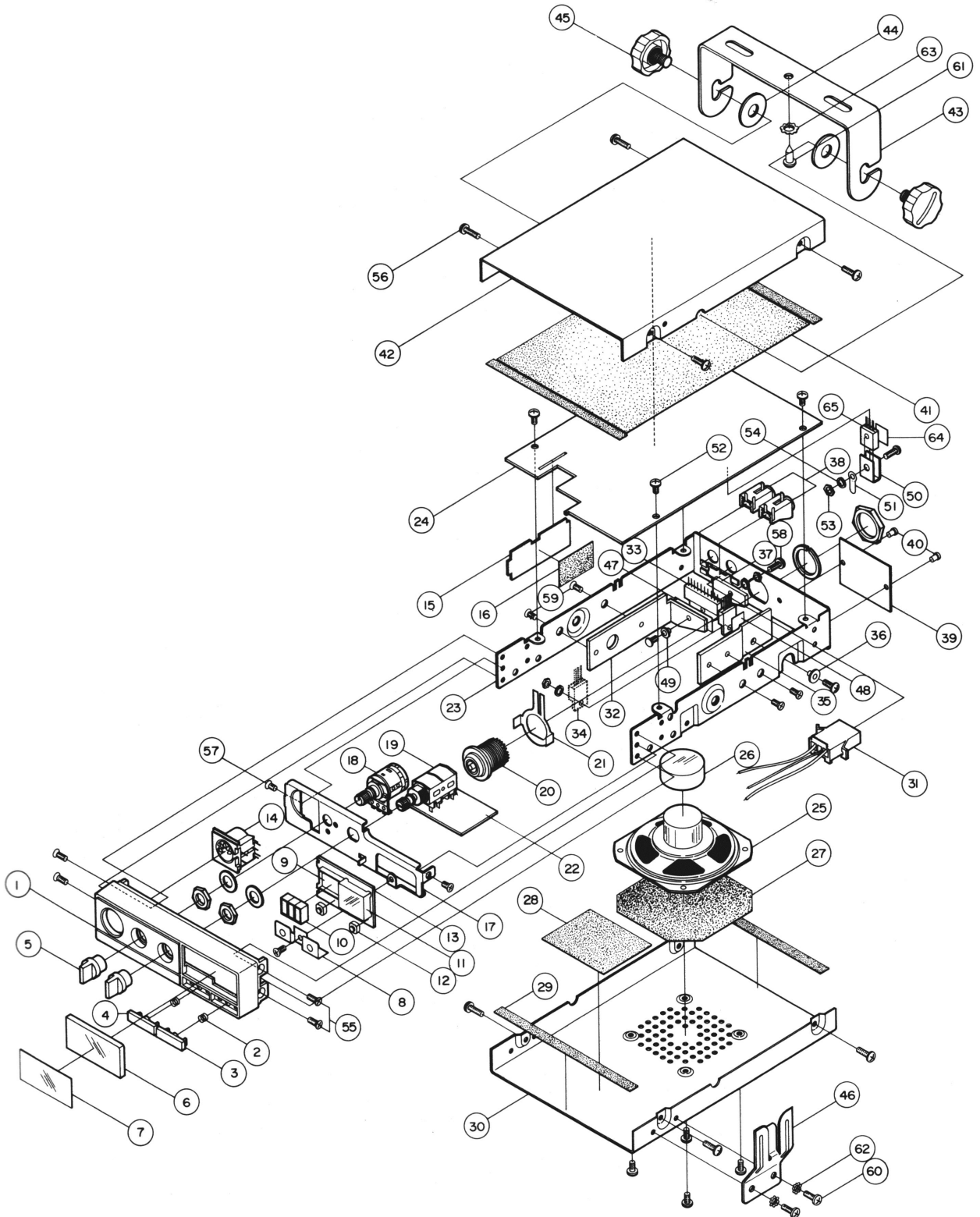
LD-001VR



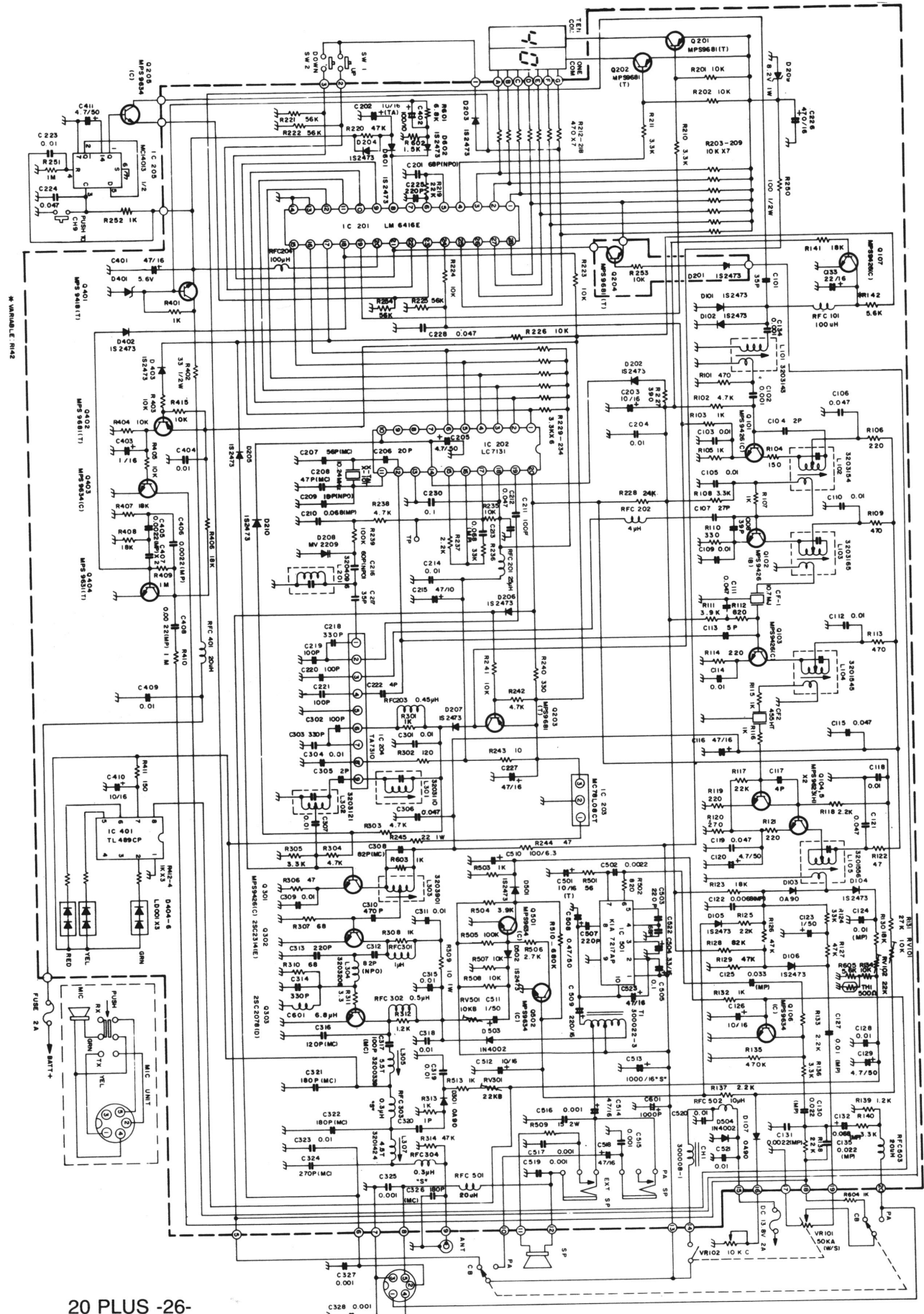
Exploded View Parts List

No.	Part No.	Part Name and Description	No.	Part No.	Part Name and Description
1	800-970	Escutcheon ABS 94HB BLK WHT Silk	56	663-082	(+) Taptite Screw (B.H)
2	880-880	Spring 4 ϕ x4.4 ϕ x5m	57	611-086	(+) Machine Screw (F.H)
3	823-870	Knob (Up)	58	613-305	(+) Machine Screw (B.H)
4	823-871	Knob (Down)	59	623-168	(+) Tapping Screw (F.H)
5	823-880	Knob (Vol. SQ)	60	624-066	(+) Tapping Screw (R.H)
6	813-030	Lens (Front)	61	625-007	(+) Tapping Screw (T.H)
7	955-330	Label (Lens)	62	664-411	Washer (Lock "B" Type)
8	770-790	Shield Plate	63	664-518	Washer (Lock "B" Type)
9	892-450	Rubber Holder (Bar LED)	64	440-005-1	MICA (For T.R 2SC2314)
10	252-021-6	LED Display LD-001MG GRN	65	204-016-7	Transistor 2SC2314 (E)
	252-022-7	LED Display LD-001VR RED			
	252-023-8	LED Display LD-001YY YEL			
11	252-026-1	LED Display LTD-482G-Y			
12	434-003-6	Touch S.W			
13	401-380-C	P.C.B LED 45x26x1.6T			
14	421-513-2	5 Pin DIN Connector Print			
15	401-919-B	P.C.B DIN Socket 50x19x1.6T			
16	904-400	Insulation Plate			
17	701-410	Front Body SPC 35x129x1T			
18	450-409-6	Resistor Variable K161110-5M1222-10KC			
19	450-612-2	Resistor Variable K122150-50KA			
20	992-440	ANT Receptacle (W/NUT Washer)			
21	731-790	Holder (ANT MTG)			
22	401-264-D	P.C.B SW 39.5x28.5x1.6T			
23	701-420	Main Body			
24	401-070-C	P.C.B Main 166x106x1.6T			
25	420-134-8	Speaker CO65A20-G0062			
26	830-043	Cap (Speaker)			
27	901-785	Felt (Speaker MTG)			
28	904-390	Insulation Plate			
29	901-768	Felt Strip 10x110x0.3T			
30	715-520	Bottom Cover			
31	504-203	3P Plug Ass'y			
32	760-870	Heat Sink (Large IC MTG)			
33	222-006-4	I.C KIA 7217AP			
34	204-009-1	Transistor 2SC 2078 (D)			
35	760-740	Heat Sink (TR MTG)			
36	441-004-5	Bushing (For T.R 2SC 2078)			
37	760-704	Heat Sink (IC MTG)			
38	420-707-6	Jack Earphone			
39	793-150	Name Plate			
40	670-025	Rivet Blind			
41	901-721	Plate Insulation Fiber			
42	715-530	Upper Cover			
43	720-916	Bracket (Set MTG)			
44	660-138	Washer Rubber 7x1.5 BLK			
45	600-051	Securing Screw			
46	720-049	Bracket (MIC MIG)			
47	440-010-5	MICA (For I.C KIA 7217AP)			
48	440-004-0	MICA (For T.R 2SC2078)			
49	441-010-0	Bushing (For I.C KIA 7217AP)			
50	760-430	Heat Sink (T.R MTG)			
51	750-215	Lug Terminal			
52	623-265	(+) Tapping Screw (B.H)			
53	651-024	Nut			
54	662-305	Washer (Spring)			
55	661-086	(+) Machine Screw (F.H)			

Exploded View



Schematic Diagram



PARTS LIST 20 PLUS

PARTS LIST 20 PLUS

SYMBOL	DESCRIPTION	PART NO.	SYMBOL	DESCRIPTION	PART NO.
	SPEAKER C065A20-G0062	580 080 9 001	D401	DIODE BZX83-C5V6	152 160 9 001
	BOTTOM COVER SPC VINYL SHEET 147X170X0.8T	252 061 9 001	D209	DIODE UZP-8.2B 1W	152 160 9 002
	UPPER COVER SPC VINYL SHEET 147X170X0.8T	253 140 9 001	D208	DIODE VARICAP MV2209	154 009 9 001
	ESCUTCHEON (COBRA 20PLUS) ABS94HB BLK WH SILK	380 565 9 001	D101, 102, 104-106, 201-207, 210, 402, 403, 501, 502, 601	DIODE SI 1S2473	151 035 9 001
	LENS (FRONT) ACRYL SMOKE WHT SINK	753 027 9 001	D602	DIODE 1S2473 "F" TYPE	151 059 9 001
	KNOB (UP) ABS 94HB BLK/W WHT SILK	751 323 9 001	D103, 107, 301	DIODE GE UA90	150 020 9 001
	KNOB (DWN) ABS 94HB BLK/W SILK	751 323 9 002	D503, 504	DIODE SI 1N4002	151 082 9 001
	KNOB (VOL/SQ) ABS 94HB WHT DOT	751 323 9 003	X101	CRYSTAL 10.240MHz HC-18/U	132 036 9 001
	XSTOR 2SC 2078(D)	172 075 9 001	CF2	CERAMIC FILTER CFU 455HT	143 014 9 001
	I.C KIA 7217AP	307 331 9 001	CF1	CERAMIC FILTER 10.7MJ	140 006 9 002
	LED DISPLAY LD-001MG GRN	158 079 9 002	CH1	TRANSFORMER CHOKE	042 041 9 001
	LED DISPLAY LD-001VR RED	158 079 9 003	T1	TRANSFORMER OPT	042 051 9 001
	LED DISPLAY LD-001YY YEL	158 079 9 004	RFC502	COIL RF CHOKE 10UH CORE	047 012 9 003
	LED DISPLAY LTD-482G-Y	158 079 9 005	RFC301	COIL CHOKE 1UH BOBBIN	041 134 9 007
	FLAT WIRE 5 PIN 40MM	428 130 9 001	RFC401, 503, 501	COIL, RF CHOKE, 20μF CORE	047 039 9 002
	TOUCH SW EVQ-QSR-05K	088 159 9 001	RFC302	COIL, RF CHOKE, 0.5μF SPRING	041 134 9 004
	RES., VARIABLE (VR) K161110-5M1222-10KC	008 863 9 001	RFC201	INDUCTOR 0.25 μH MOLD TYPE	047 012 9 001
	RES., VARIABLE (VR) K122150-50KA R01 15MM SHAFT	008 863 9 002	RFC203	INDUCTOR 0.45μH MOLD TYPE	047 049 9 002
	3P PLUG ASSEMBLY	777 056 9 001	RFC101, 204	COIL CHOKE 100μH MO TYPE	047 027 9 001
	XSTOR MSP9634(C)	176 128 9 001	RFC202	COIL CHOKE 4μH BOBBIN TYPE	047 012 9 004
	XSTOR MPS9426(B)	177 052 9 001	RFC303, 304	COIL AM TX ANT 27MHz A	046 039 9 012
	XSTOR MPS9426(C)	176 115 9 001	L305	COIL AM TX ANT 27MHzB	046 039 9 013
	XSTOR MPS9681(T)	177 049 9 001	L307	COIL IFT 27MHz TX ANT TUNING -C(4.5T)	047 049 9 003
	XSTOR MPS9418(T)	176 115 9 004	L104	COIL IFT 455kHz - A	047 049 9 004
	XSTOR MPS9623(H)	176 125 9 001	L105	COIL IFT 455kHz - B	047 049 9 005
	XSTOR MPS9631(T)	176 132 9 001	L301	IFT 27MHz RF AMP-A	047 039 9 006
	XSTOR 2SC2314(E)	176 120 9 001	L302	IFT AM AMP 27MHz C	047 039 9 007
	I.C TA7310P	307 133 9 004	L101	27MHz RX ANT	047 039 9 009
	I.C MC78L08CT	307 426 9 001	L102	27MHz RF AMP (RX)	047 039 9 010
	I.C 14013BCP	308 383 9 001	L103	10.6MHz RF 1ST MIXER (RX)	047 039 9 011
	I.C LC7131	307 272 9 002	L304	27MHz RF-C (TX)	046 039 9 012
	I.C LM6416E	307 426 9 002	L303	COIL RF PRE AMP TX	047 049 9 006
	I.C. TL 489CP	307 426 9 003		RECEPTACLE ASSEMBLY (DC POWER CORD)	428 131 9 001
				MIC ASSEMBLY COBRA - PLUS	561 009 9 001
				PUSH SW HPW0208-01-010	088 155 9 002
				SECURING SCREW M6 (P=1) X 9	634 166 9 001
				BRACKET (SET MTG) APC 30X235X1.5T BLK PNTG	250 200 9 001
				MANUAL INSTRUCTION (COBRA 20PLUS)	480 499 9 001