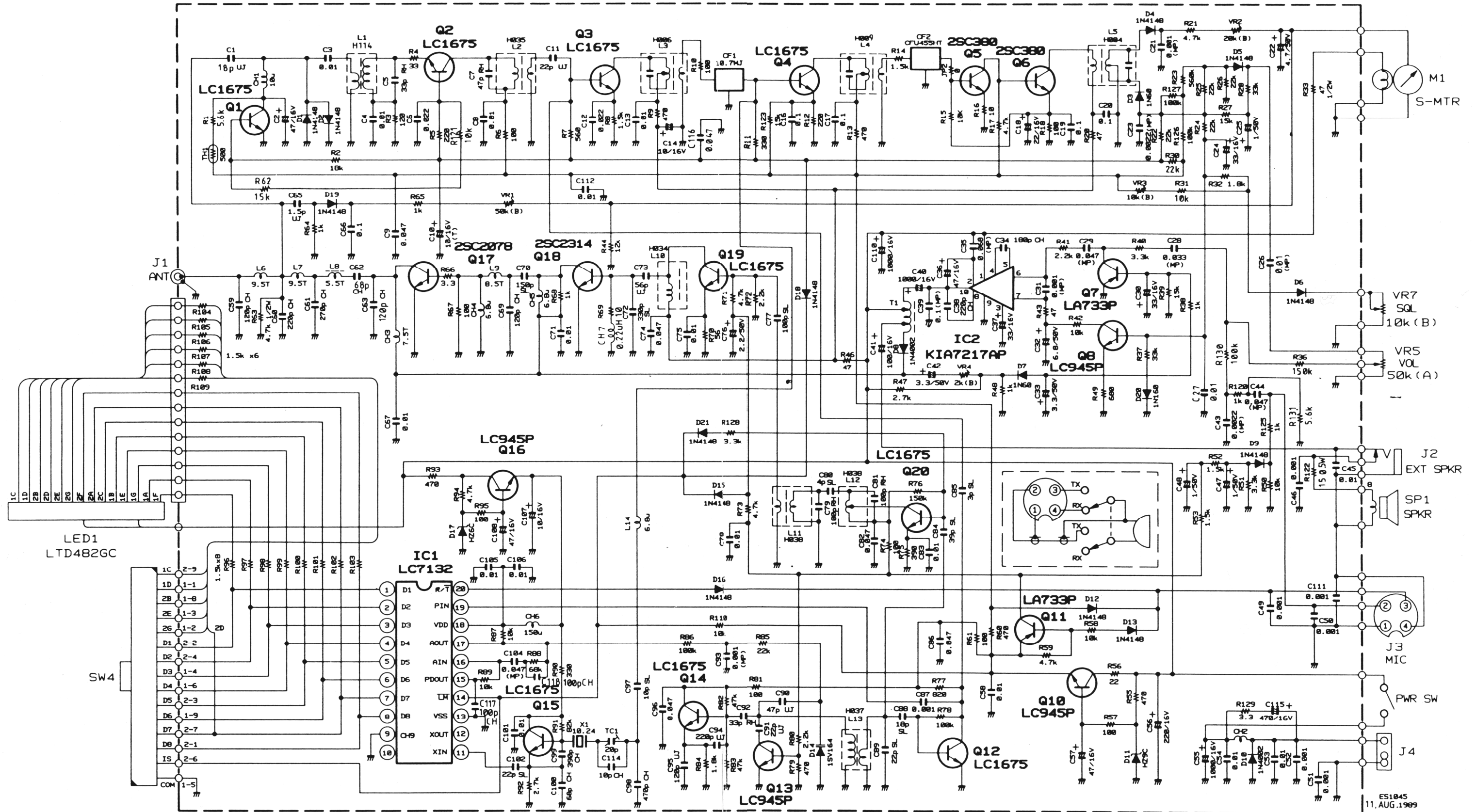


# CIRCUIT DIAGRAM FOR COBRA 19LTD CLASSIC



- NOTES:
1. RESISTANCE VALUES ARE SHOWN IN OHMS UNLESS OTHERWISE NOTED. (K=KILO OHM , M=MEG OHM)
  2. RESISTOR WATTAGES ARE 1/4W UNLESS OTHERWISE NOTED.
  3. CAPACITANCE VALUES ARE INDICATED IN MICROFARADS UNLESS OTHERWISE NOTED. (P=MICRO-MICRO FARAD)
  4. CIRCUIT AND COMPONENTS ARE SUBJECT TO CHANGE WITHOUT NOTICE.