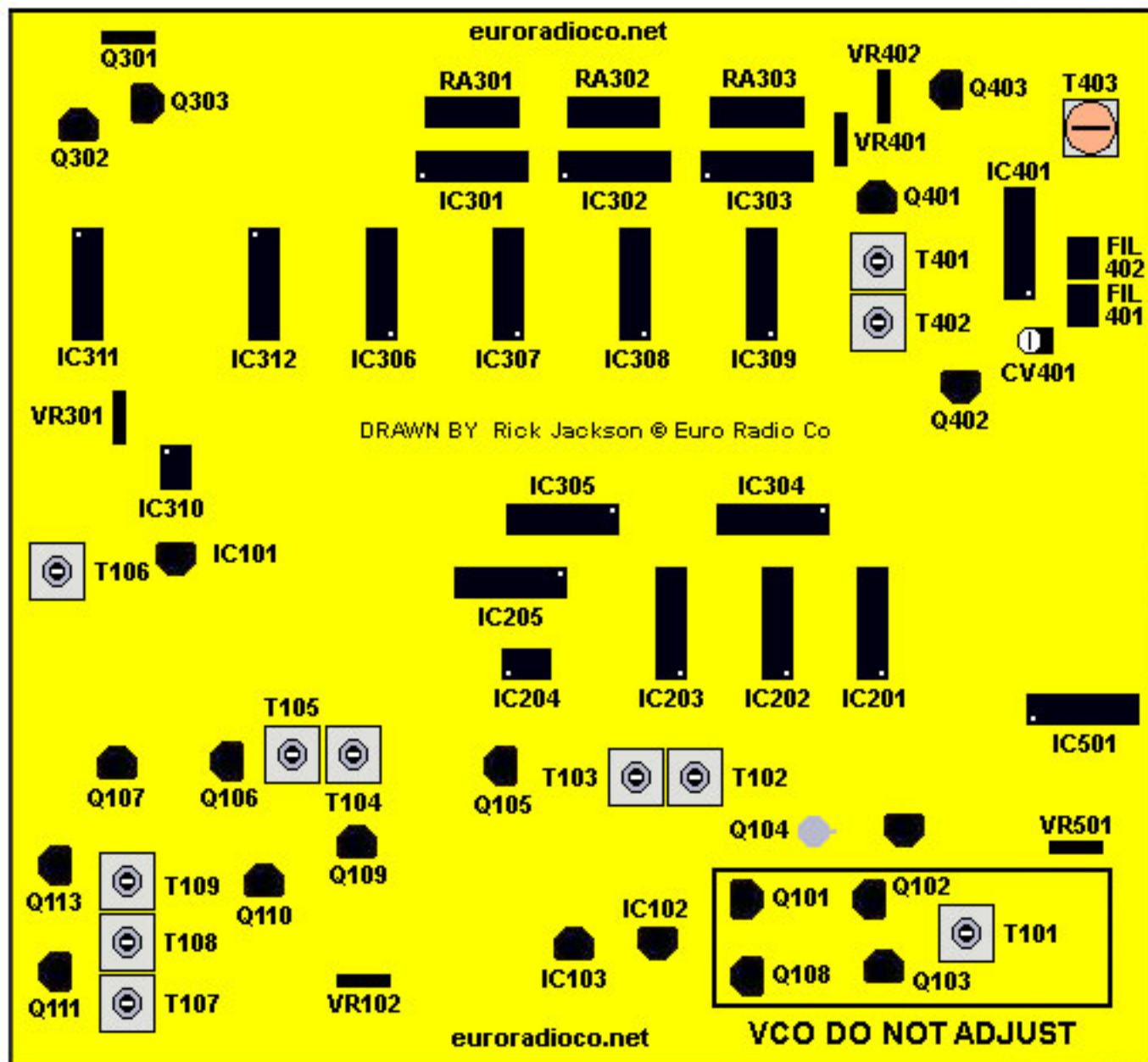


BELCOM LS102L VFO PCB LAYOUT



FRONT OF RADIO