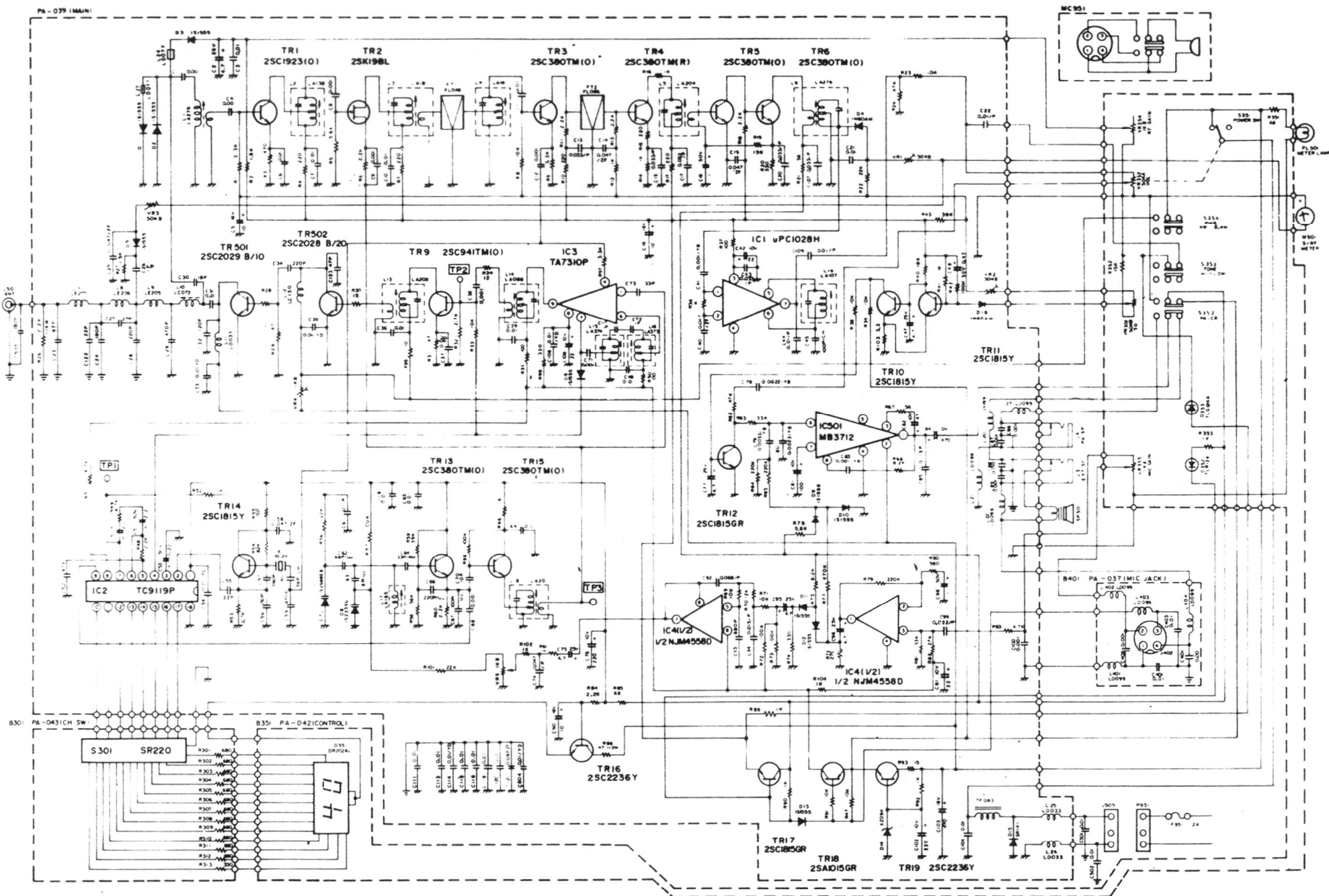


# SCHEMATIC DIAGRAM



1. RESISTANCE VALUES ARE SHOWN IN OHMS UNLESS OTHERWISE NOTED. (K = KILO OHM)
2. RESISTOR WATTAGES ARE 1/8W UNLESS OTHERWISE NOTED.
3. CAPACITANCE VALUES ARE INDICATED IN MICROFARADS UNLESS OTHERWISE NOTED (P = MICRO - MICRO FARAD)
4. ALL CAPACITORS TEMPERATURE CHARACTERISTICS ARE 5L (LESS THAN 1000PF) OR YF100 (MORE THAN 1000PF) UNLESS OTHERWISE NOTED.