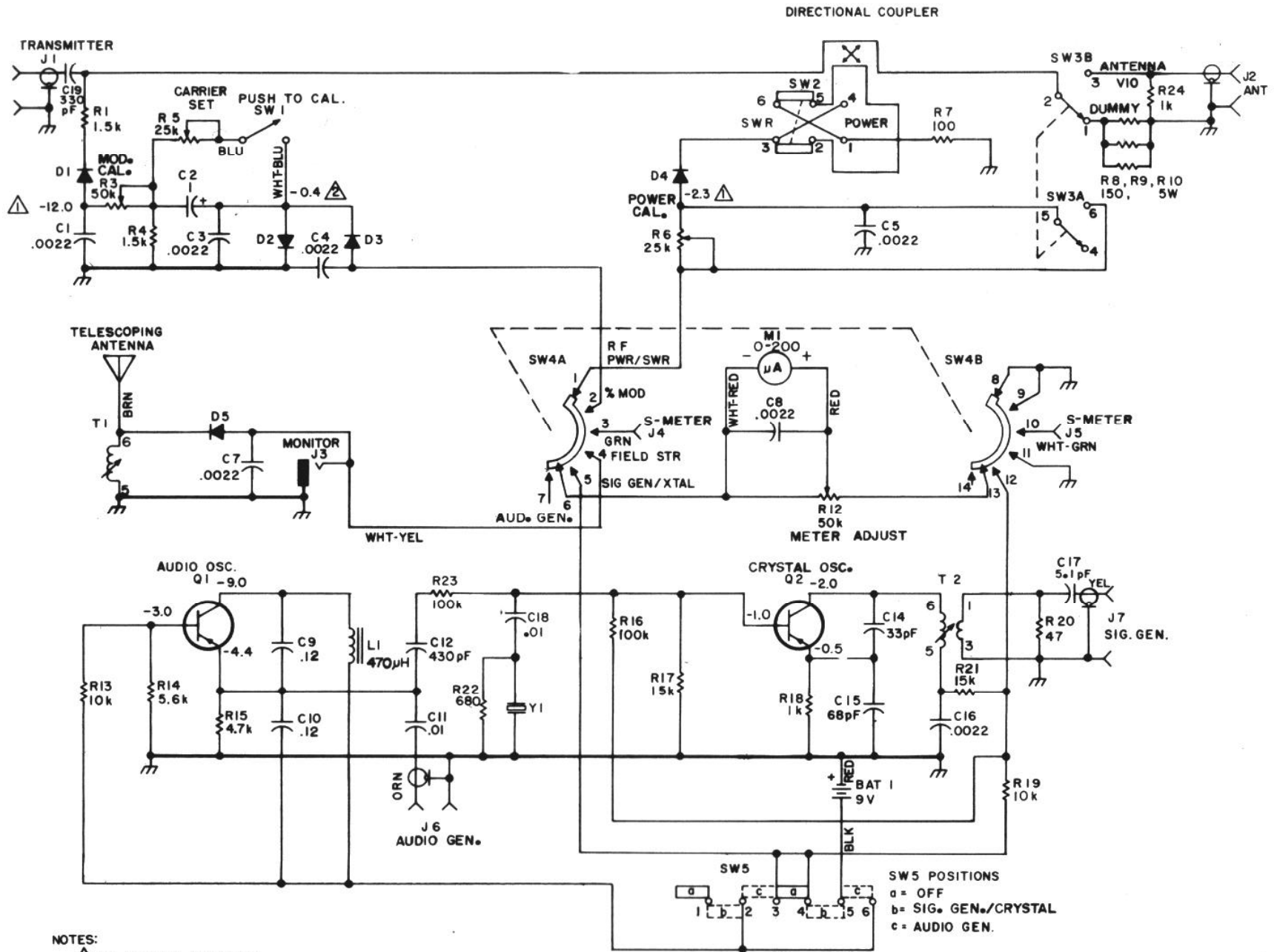


TRANSCIVER TESTER SCHEMATIC DIAGRAM
(FOR UNITS WITH "C" MODEL DESIGNATOR
ON SERIAL NUMBER STICKER)



- NOTES:
- ▲ AT 3 WATTS RF POWER
 - ▲ AT 50% MODULATION
 - 3. WAFER SWITCHES ARE SHOWN IN EXTREME COUNTER-CLOCKWISE POSITION, VIEWED FROM SHAFT END.
 - 4. RESISTOR VALUES ARE IN OHMS, CAPACITOR VALUES ARE IN MICROFARADS UNLESS OTHERWISE SPECIFIED.