

This Information Is Provided By
CBTricks.com

How to install the Powerband RFX75
on a Galaxy 929 (2SC1969 final model).

Liability of damages to any equipment is the sole responsibility of the user!
Downloading, viewing, or using any information provided on these pages
automatically accepts the user to the terms of this agreement!
Modifications are provided for information purposes only!
Supporters of CBTricks.com paid for the hosting so you would have this file.

CBTricks.com is a non-commercial personal website was created to help promote the exchange of service, modification, technically oriented information, and historical information aimed at the Citizens Band, GMRS (CB "A" Band), MURS, Amateur Radios and RF Amps.

CBTricks.com is not sponsored by or connected to any Retailer, Radio, Antenna Manufacturer or Amp Manufacturer, or affiliated with any site links shown in the links database. The use of product or company names on my web site is not endorsement of that product or company.

The site is supported with donations from users, friends and selling of the Site Supporters DVD's to cover some of the costs of having this website on the Internet instead of relying on banner ads, pop-up ads, commercial links, etc. Thus I do not accept advertising banners or pop-up/pop-under advertising or other marketing/sales links or gimmicks on my website.

All the money from donations is used for CBTricks.com I didn't do all the work to make money (I have a day job). This work was not done for someone else to make money also, for example the eBay CB sellers.

All Trademarks, Logos, and Brand Names are the property of their respective owners.
This information is not provided by, or affiliated in any way with any radio or antenna Manufacturers.

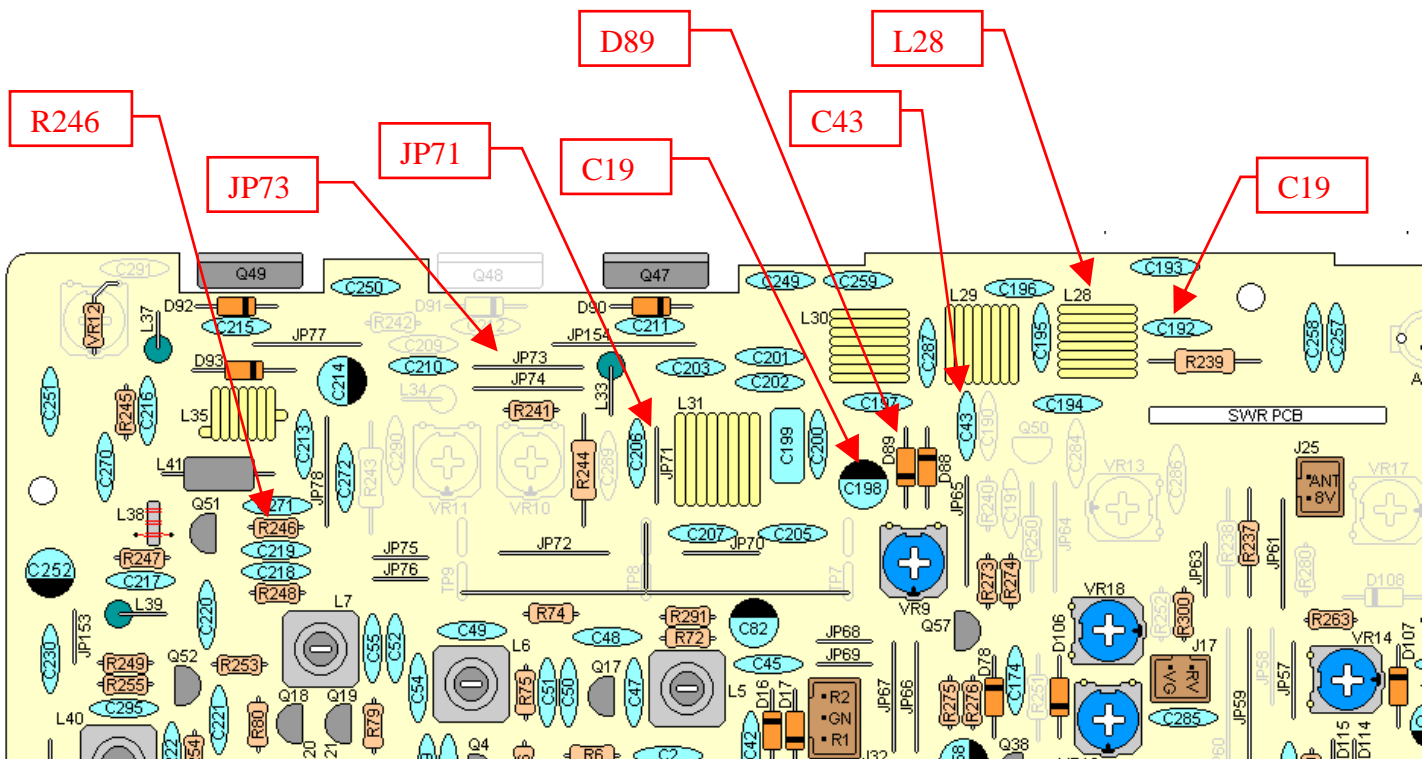
Thank you for any support you can give.

For information on how to Support CBTricks.com
<http://www.cbtricks.com/support/>

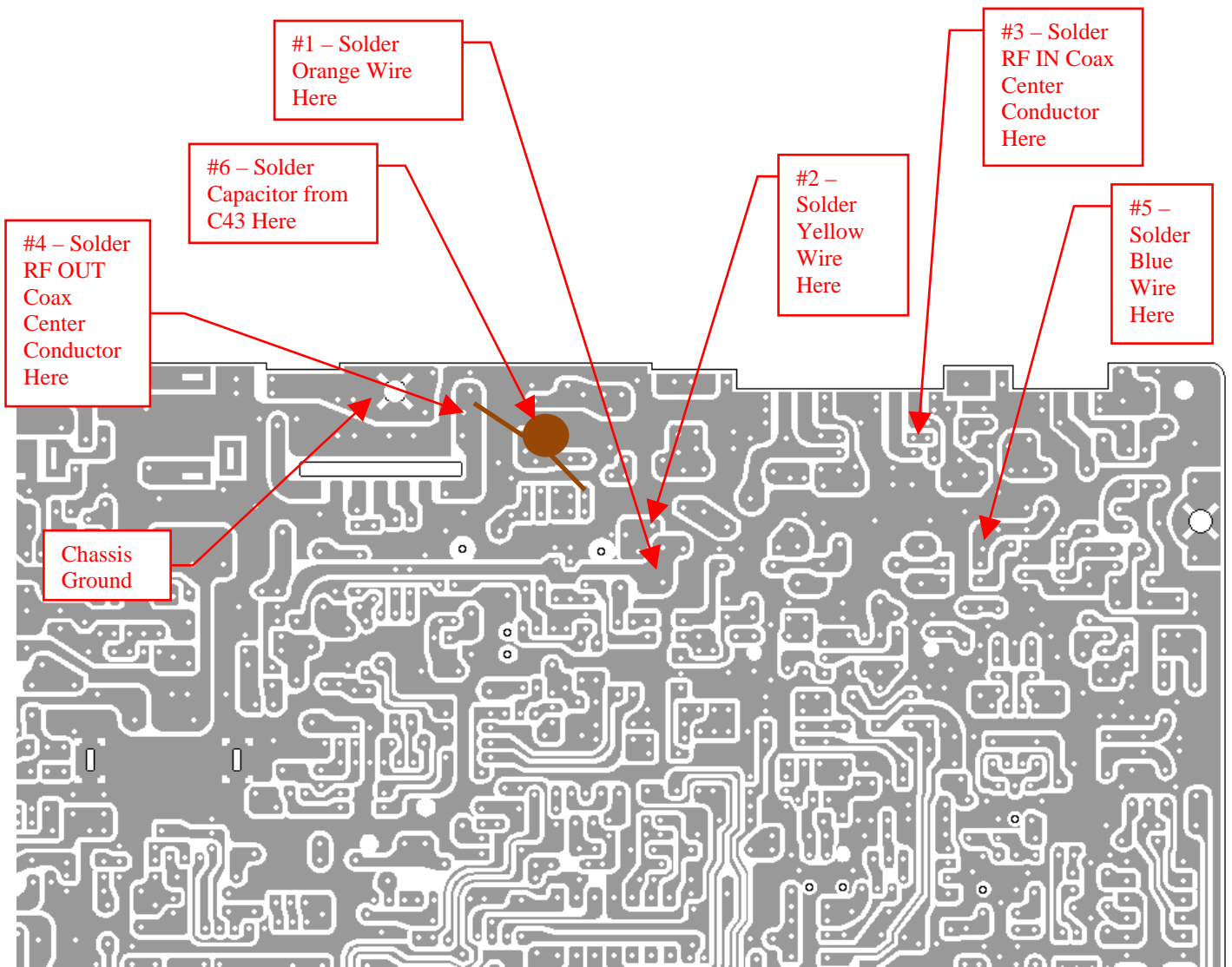
The user is solely responsible for making sure that any modifications made to the radio unit must meet all Federal and State Regulations or the Country of use! Liability of damages to any equipment is the sole responsibility of the user! Downloading, viewing, or using any information provided on these pages automatically accepts the user to the terms of this agreement! Modifications are provided for information purposes only! Disclaimer: CBTricks.com does not warrant the accuracy of the information contained herein nor is it responsible for any errors or omissions and assumes no liability for the content on this site. While CBTricks.com uses reasonable efforts to include accurate and up to date information, CBTricks.com makes no warranties or representations as to its accuracy or timeliness and assumes no liability or responsibility for any errors or omissions in the content of this site.

RFX75 - Galaxy 929 (2SC1969 Final Model)

1. Drill and mount the RFX75 to the Radio.
2. Remove JP71, JP73, L28, C192, C198, C218, D89, and C43. **IMPORTANT:** Save capacitor from C43 for later step.
3. On radio PCB, change resistor at R246 to a 4.7 ohm resistor.
4. Cut the RX OUT coax cable off the RFX75 board. Take care to cut it close enough to the PCB so that it does not short out on anything.
5. Solder the Black and Red wires from the RFX75 to the back of the radio's power jack – observe polarity!
6. Solder the Orange wire from the RFX75 to the TP-8 and TP-9 Jumper (see #1).
7. Solder the Yellow wire to the positive side hole of C198 (see #2).
8. Solder the RF IN coax center conductor to the junction point of C210 and JP73 (see #3). Solder the coax shield to DC ground.
9. Solder the RF OUT coax center conductor to the junction point of L28 and C192 (see #4). Solder the coax shield to chassis ground (the screw just to the left of the trace where you soldered the center conductor is chassis ground).
10. Solder the Blue wire to the hole closest to the front of the radio at R243 (see #5).
11. On the solder side of the PCB, install the capacitor that was removed from C43 (step 2). Solder one lead of the capacitor to the trace at the junction of C43 and JP65. Solder the other lead of the capacitor to the trace at the junction of L28 and C192 (see #6). It may be necessary to increase the length of the capacitor leads. Make sure to insulate the leads of the capacitor so that it does not short-out on any other traces.
12. After checking all steps, Retune RX and TX as needed. Do not set carrier higher than 15 watts!



The user is solely responsible for making sure that any modifications made to the radio unit must meet all Federal and State Regulations or the Country of use! Liability of damages to any equipment is the sole responsibility of the user! Downloading, viewing, or using any information provided on these pages automatically accepts the user to the terms of this agreement! Modifications are provided for information purposes only! Disclaimer: CBTricks.com does not warrant the accuracy of the information contained herein nor is it responsible for any errors or omissions and assumes no liability for the content on this site. While CBTricks.com uses reasonable efforts to include accurate and up to date information, CBTricks.com makes no warranties or representations as to its accuracy or timeliness and assumes no liability or responsibility for any errors or omissions in the content of this site.



The user is solely responsible for making sure that any modifications made to the radio unit must meet all Federal and State Regulations or the Country of use! Liability of damages to any equipment is the sole responsibility of the user! Downloading, viewing, or using any information provided on these pages automatically accepts the user to the terms of this agreement! Modifications are provided for information purposes only! Disclaimer: CBTricks.com does not warrant the accuracy of the information contained herein nor is it responsible for any errors or omissions and assumes no liability for the content on this site. While CBTricks.com uses reasonable efforts to include accurate and up to date information, CBTricks.com makes no warranties or representations as to its accuracy or timeliness and assumes no liability or responsibility for any errors or omissions in the content of this site.