

# Messenger Class C-Model 450

## RB7-5 RELAY BOARD

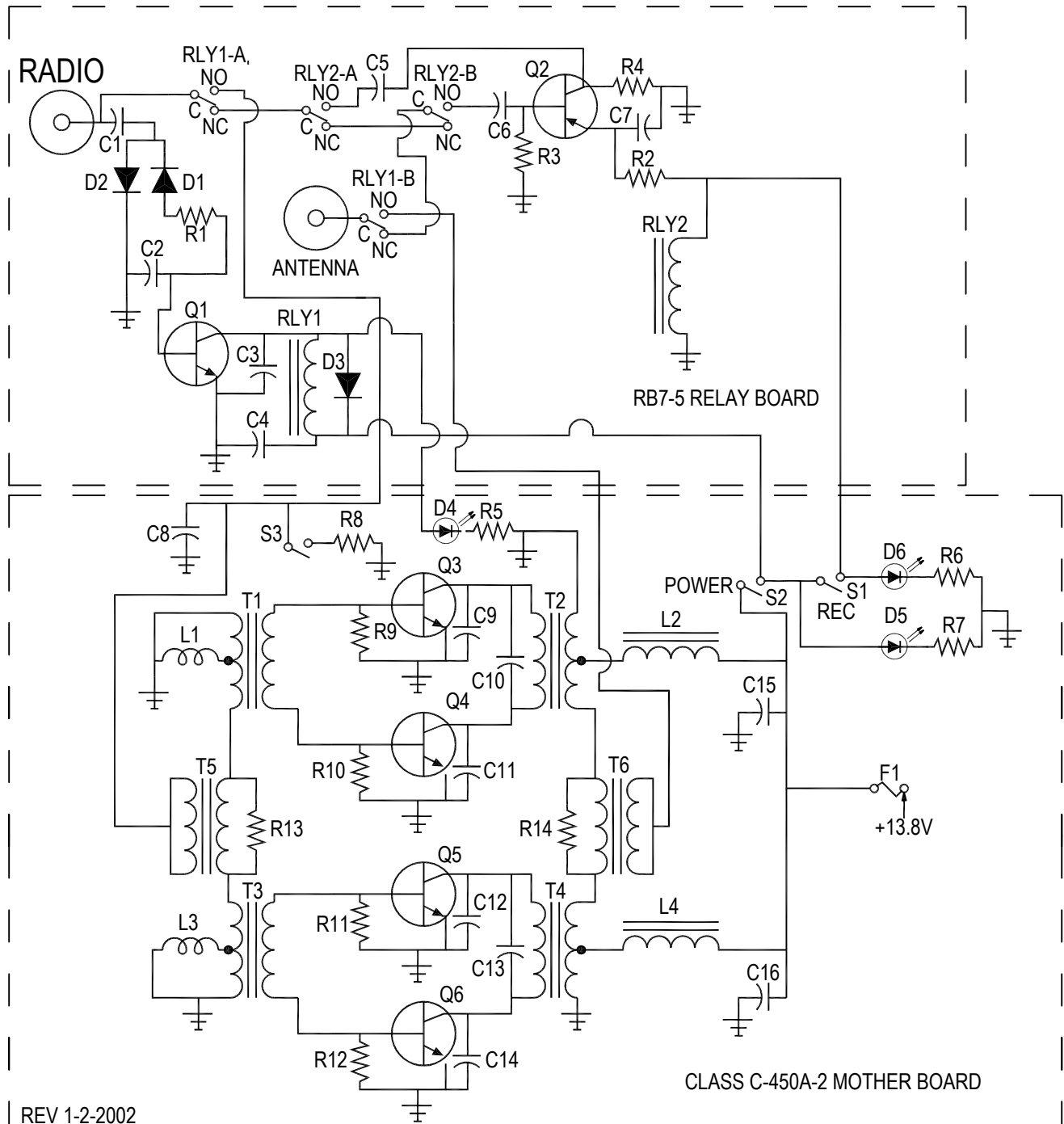
R1-6.8K  $\frac{1}{4}$  Watt Carbon Film Resistor  
 R2-470  $\frac{1}{4}$  Watt Carbon Film Resistor  
 R3-3.3M  $\frac{1}{4}$  Watt Carbon Film Resistor  
 R4-1K  $\frac{1}{4}$  Watt Carbon Film Resistor  
 C1-5pF Disc Cerramic Capacitor  
 C2-.01uF Disc Cerramic Capacitor  
 C3-.01uF Disc Cerramic Capacitor  
 C4-.01uF Disc Cerramic Capacitor  
 C5-150pF Disc Cerramic Capacitor  
 C6-150pF Disc Cerramic Capacitor  
 C7-.01uF Disc Cerramic Capacitor

D1-1N4148 Diode  
 D2-1N4148 Diode  
 D3-1N4148 Diode  
 Q1-2N3904 Transistor  
 Q2-2N3906 Transistor  
 RLY1-DPDT 2 Amp Relay  
 RLY2-DPDT 2 Amp Relay

## CLASS C-400A MOTHER BOARD

R5-1K  $\frac{1}{4}$  Watt Carbon Film Resistor  
 R6-1K  $\frac{1}{4}$  Watt Carbon Film Resistor  
 R7-1K  $\frac{1}{4}$  Watt Carbon Film Resistor  
 R8-39  $\frac{1}{2}$  Watt Carbon Film Resistor  
 R9-10  $\frac{1}{2}$  Watt Carbon Film Resistor  
 R10-10  $\frac{1}{2}$  Watt Carbon Film Resistor  
 R11-10  $\frac{1}{2}$  Watt Carbon Film Resistor  
 R12-10  $\frac{1}{2}$  Watt Carbon Film Resistor  
 R13-100  $\frac{1}{2}$  Watt Carbon Film Resistor  
 R14-100  $\frac{1}{2}$  Watt Carbon Film Resistor  
 C8-100pF Disc Cerramic Capacitor  
 C9-100pF Disc Cerramic Capacitor  
 C10-1000pF DM19 Dipped Mica Capacitor  
 C11-100pF Disc Cerramic Capacitor  
 C12-100pF Disc Cerramic Capacitor  
 C13-1000pF DM19 Dipped Mica Capacitor  
 C14-100pF Disc Cerramic Capacitor  
 C15-.01uF Disc Cerramic Capacitor  
 C16-.01uF Disc Cerramic Capacitor  
 D4-LED T1  
 D5-LED T1

D6-LED T1  
 F1-AGC 35 or 40 AMP FUSE  
 L1-22uH Inductor  
 L2-RF Beads  
 L3-22uH Inductor  
 L4-RF Beads  
 Q3-SD1446 Thomson Transistor  
 Q4-SD1446 Thomson Transistor  
 Q5-SD1446 Thomson Transistor  
 Q6-SD1446 Thomson Transistor  
 S1-SPST Switch (REC ON/OFF)  
 S2-SPST Switch (PWR ON/OFF)  
 S3-SPST Switch (LOW/HIGH)  
 T1-Transformer  $\frac{1}{4}$  Inch Long  
 T2-Transformer  $\frac{3}{4}$  Inch Long  
 T3-Transformer  $\frac{1}{4}$  Inch Long  
 T4-Transformer  $\frac{3}{4}$  Inch Long  
 T5-Splitter  $\frac{1}{2}$  Inch Diameter  
 T6-Combiner 1 Inch Diameter  
 DC Cable-#10 Red PVC  
 DC Cable-#10 Black PVC



REV 1-2-2002