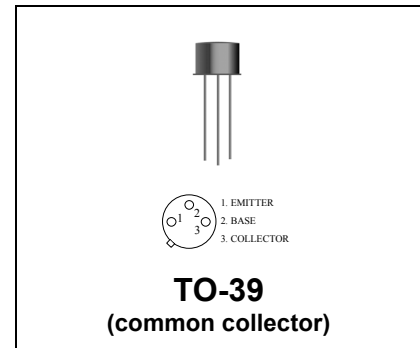


MRF607
**RF & MICROWAVE DISCRETE
LOW POWER TRANSISTORS**
Features

- 12.5V Silicon NPN, To-39 packaged VHF & UHF Transistor
- 1.75 Watt Minimum Power Output @ 12.5V, 175 MHz
- 11.5 minimum Gain @ 12.5V, 175 MHz
- 50% Efficiency @ 12.5V, 175 MHz


DESCRIPTION:

Silicon NPN transistor, designed for VHF and UHF equipment. Applications include amplifier; pre-driver, driver, and output stages.

ABSOLUTE MAXIMUM RATINGS (T_{case} = 25°C)

Symbol	Parameter	Value	Unit
V _{CEO}	Collector-Emitter Voltage	16	Vdc
V _{CBO}	Collector-Base Voltage	36	Vdc
V _{EBO}	Emitter-Base Voltage	4.0	Vdc
I _C	Collector Current	330	mA

Thermal Data

P _D	Total Device Dissipation @ T _A = 25°C Derate above 25°C	3.5 28	Watts mW/ °C
----------------	---	-----------	-----------------

ELECTRICAL SPECIFICATIONS (Tcase = 25°C)
**STATIC
(off)**

Symbol	Test Conditions	Value			Unit
		Min.	Typ.	Max.	
BVCEC	Collector-Emitter Breakdown Voltage (IC = 25 mAdc, VBE = 0 Vdc)	36	-	-	Vdc
BVCEO	Collector-Emitter Sustaining Voltage (IC=25 mAdc, IB=0)	16	-	-	Vdc
BVEBO	Emitter-Base Breakdown Voltage (IE = .5 mA, IC = 0)	4.0	-	-	Vdc
ICEO	Collector Cutoff Current (VCE = 10 Vdc, IB = 0)	-	-	.3	mA

(on)

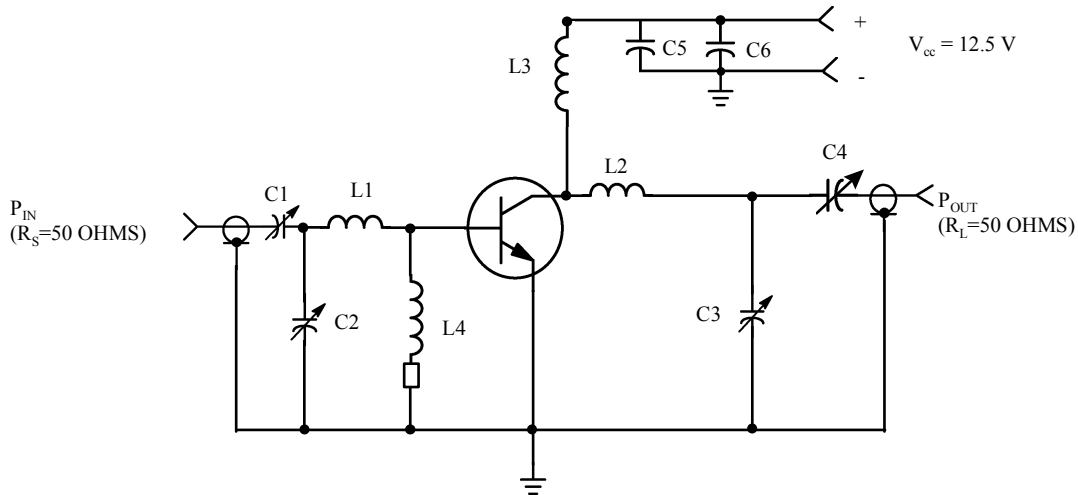
HFE	DC Current Gain (IC = 50 mAdc, VCE = 5.0 Vdc)	20	-	150	-
-----	--	----	---	-----	---

DYNAMIC

Symbol	Test Conditions	Value			Unit
		Min.	Typ.	Max.	
COB	Output Capacitance (VCB = 12 Vdc, IE = 0, f = 1.0 MHz)	-	-	15	pF

FUNCTIONAL

Symbol	Test Conditions		Value			Unit
			Min.	Typ.	Max.	
G _{PE}	Power Gain	Test Circuit-Figure 1 Pout = 1.75W, VCE = 12.5Vdc f = 175 MHz	11.5	-	-	dB
η _c	Collector Efficiency	Test Circuit-Figure 1 Pout = 1.75W, VCE = 12.5Vdc f = 175 MHz	50	-	-	%

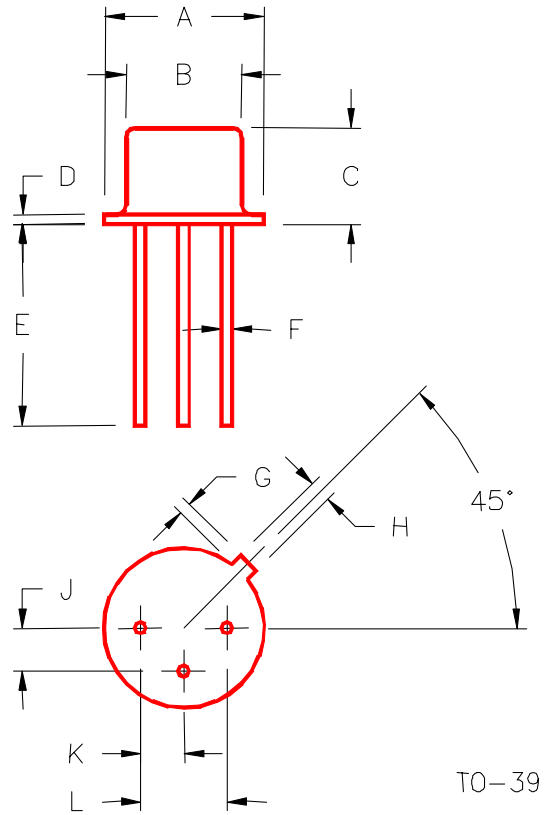


**Figure 1 - 175 MHz RF AMPLIFIER CIRCUIT FOR G_{PE} ,
AND EFFICIENCY SPECIFICATIONS.**

C1	2.7-15 pF, ARCO 461	L1	1 TURN #20 AWG, 3/8" I.D.
C2	9.0-180 pF, ARCO 463	L2	3 TURNS #20 AWG, 3/8" I.D.
C3, C4	5.0-80 pF ARCO 462	L3	0.22 μ H MOLDED CHOKE
C5	1000 pF UNELCO	L4	0.15 μ H MOLDED CHOKE WITH TANTALUM FERROXCUBE 56-590-65-3B BEAD ON GROUND LEAD
C6	5 μ F, 25 Vdc,		

MRF607

PACKAGE STYLE M246



	MINIMUM INCHES/MM	MAXIMUM INCHES/MM		MINIMUM INCHES/MM	MAXIMUM INCHES/MM
A	.350/8,89	.370/9,40	J	.095/2,41	.105/2,67
B	.315/8,00	.335/8,51	K	.095/2,41	.105/2,67
C	.240/6,10	.260/6,60	L	.190/4,83	.210/5,33
D	.015/0,38	.045/1,14			
E	.500/12,70				
F	.016/0,41	.019/0,48			
G	.029/0,74	.040/1,02			
H	.028/0,71	.034/0,86			